

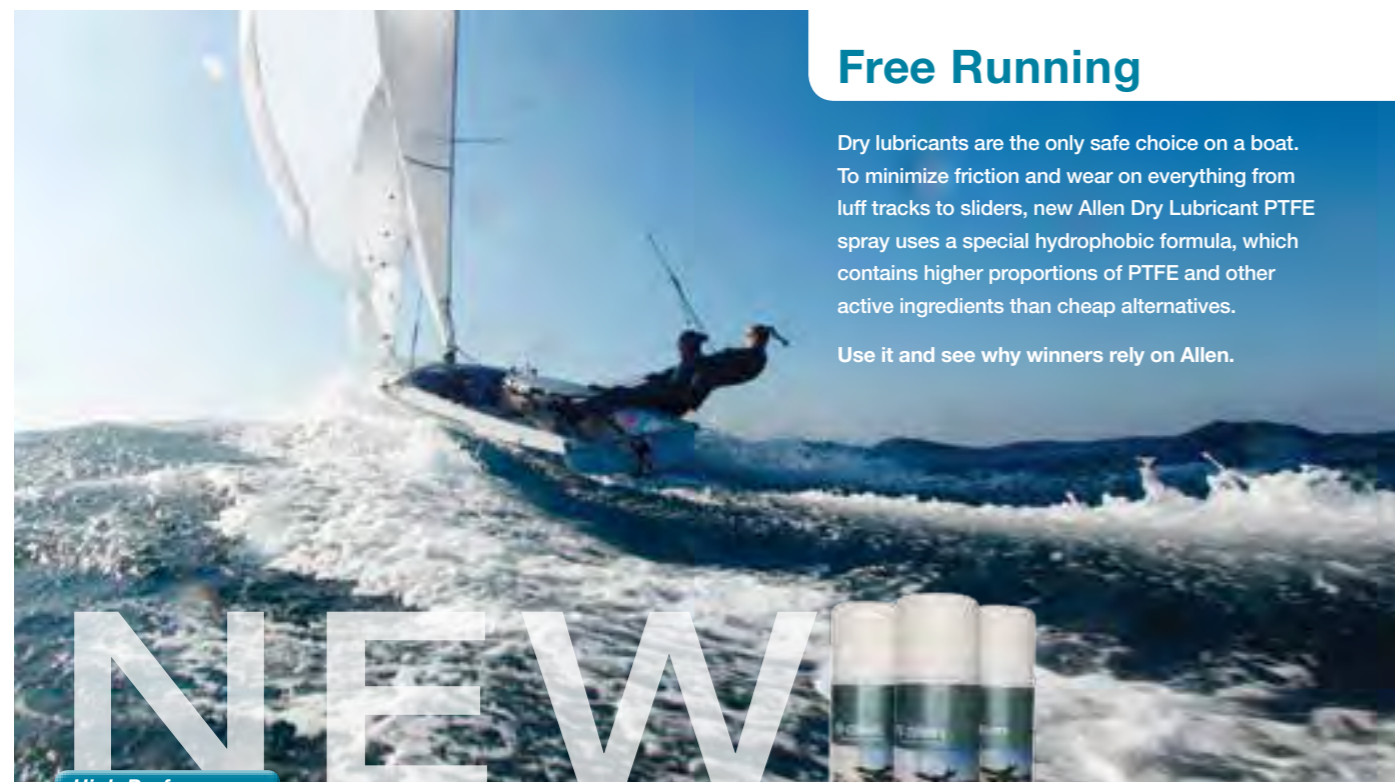
Performance Hardware 2017-18



In this catalogue you will find the extensive range of quality performance hardware which is designed and manufactured in Allen Brothers' factories in Essex, United Kingdom.

Merging tradition functionality and protocols which have evolved throughout sailing history, we have created the widest range of hardware available from one source that combine pleasing designs, reliability, efficiency, strength, size and weight with value for money. We work with the world's leading designers and sailors to produce products with levels of performance, quality and durability that are unsurpassed.

Allen Brothers Ltd has evolved over the last 60 years into a modern high-tech company and although we haven't strayed far from our roots we are now much more than a manufacturer. It was in 1956 that brothers Tony and Glenn Allen received their first order from Jack Holt for the aluminium die-cast cam cleats they had originally made for themselves and their friends and was the beginning of Holt-Allen's 50 year partnership. In 2008 Allen Brothers created their own brand, adding the sales, marketing and warehousing operations to distribute the Allen sailboat performance hardware around the world.



Free Running

Dry lubricants are the only safe choice on a boat. To minimize friction and wear on everything from luff tracks to sliders, new Allen Dry Lubricant PTFE spray uses a special hydrophobic formula, which contains higher proportions of PTFE and other active ingredients than cheap alternatives.

Use it and see why winners rely on Allen.

NEW
High Performance



DRY LUBRICANT

with PTFE

allenbrothers.co.uk

allen
DESIGNED FOR SAILING

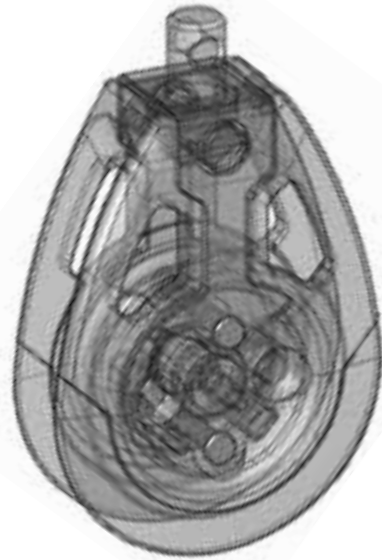
BLOCKS	5	RUDDERSTOCKS & ACCESSORIES	45	SHACKLES	68
20mm Dynamic Bearing Blocks	6	Tiller Extension - Carbon	46	Forged Shackles	68
30mm Dynamic Bearing Blocks	9	Tiller Extension - Carbon Telescopic	46	Pressed Shackles	68
40mm Dynamic Bearing Blocks	12	Tiller Extension Universal Joints	47	Round Body Shackles	68
50 and 60mm Dynamic Bearing Blocks	14	Rudder Stocks	48	Strip Shackles	68
Ratchet Blocks	16	Rudder Retaining Equipment	49	TRACK & KEELBAND	70
High Tension Blocks	18	Rudder Pintles & Gudgeons	50	Mast Track	70
Classic Blocks	20	Transom Plates, Pintles & Gudgeons	50	Track for Travellers	70
Light Weight Plain Bearing Blocks	20	SAILMAKERS HARDWARE	51	Track End Stops	71
Plain Bearing Reinforced Blocks	21	Batten Hardware	52	Keelbands	71
V Cleat Blocks	21	Jib Hanks	53	ACCESSORIES	72
Sheaves	22	Luff & Cunningham Blocks	53	Upgrades	72
High Load Thimbles	23	Sail Headboards	53	Race Packs	72
Springs Stainless Steel	23	Sail Ring	53	Trapeze Equipment	74
Snatch Blocks	24	Sail Track Slides & Slugs	54	Burgees & Wind Indicators	75
CLEATS & JAMMERS	25	Sail Shackles	55	Mast Deck Chocks	76
Cam Cleats	26	Thimbles	55	Inglefield Clips	76
Mainsheet Jammers	28	SPARS & RIGGING	56	Tidy Clips	76
Swivel Cleats	30	Stay & Vernier Adjusters	56	Hooks	77
Clamcleats	32	Fast pins & Reaching Hooks	57	Ball Stoppers	78
Jam Cleats	33	Clevis Pins & Split Rings	57	Boat Hook	78
V Cleats	33	Mast Ram	58	Toe Strap Plates & Buckles	78
Mast and Deck Cleats	33	Dynamic Rig Adjustment	58	Nylon Rowlocks & Sockets	79
DECK & HULL FITTINGS	34	Furling Gear & Swivels	59	MERCHANDISING	80
Traveller Cars	34	Goosenecks	60	YACHT & KEELBOAT FITTINGS	82
Self Tacking Jib System	36	Boom Slides	60	Cast Aluminium Yacht Cleats	82
Track Slides	37	Mirror Dinghy Mast Fittings	60	Bollards	84
Pump Action Cleat	37	Sheave Boxes	61	Bow Rollers	84
Bow & Shroud Plates	38	Spreader Hardware	62	Drop Nose Pins	84
Sliding Fairleads & Lacing Hooks	38	Mast Gates & Step	62	Chain Pipe	85
Hatch Covers	39	Mast Tangs	62	Deck Fillers	85
U Bolt	40	Mast & Boom Straps	63	Cast Aluminium Yacht Fairleads	86
Anchor Plates	40	Halyard Lock & Hook Racks	63	Cast Portlights	88
Stainless Steel Lacing Eyes & Eye Straps	41	Rigging Screws	64	Aluminium Yacht Stanchions & Bases	89
Deck Bushes	42	Wire Stud Terminal	64	Stanchion Mounted Blocks	90
Fairleads	43	Wire Eye Terminal	64	Flagstaff Socket	90
Self Bailer	44	Wire Fork Terminal	64	Furling Boom Claw Ring	90
Drain Sockets & Bungs	44	Wire 'T' Terminal	64	Handrail Brackets	91
		Eye Bolt	65	Lacing Hook & Eye	91
		Mast & Tube Fittings	66	Fender Eye	91
		Mast Deck Chocks	66	Hinges	92
		Mast Base Organiser	66	Winch Handles	92
		Spinnaker Pole & Accessories	67	PRODUCT CODE INDEX	93



Allen products are warranted to be of merchantable quality and fit for the purpose for which they are sold. In addition, Allen products are guaranteed for life against defects in workmanship, subject to reasonable use. We will replace products which are found to have failed through manufacturing and raw material defects. The parts must have been fitted in accordance with our technical instructions, where present, and in any event following the professional guidance of our stockist or representative. No cash alternative or damages arising out of any failure will be met. While we take every reasonable effort to ensure the accuracy of specifications published in the Allen catalogue, web site and marketing materials, no liability will be accepted for errors and omissions. In the unlikely event of a claim, please return the part to Allen Brothers with a description of the circumstances. Your statutory rights are not affected.

Allen Brothers Ltd
Hallmark Industrial Estate
Southminster
Essex CM0 7EH
United Kingdom
T +44 (0)1621 774689
F +44 (0)1621 773872
E sales@allenbrothers.co.uk

Please note
Photographs and illustrations are not to scale unless specified.
Graphic Design
Tracy Saunders: tracy@tasdesign.co.uk
Product Photography
Graeme Sweeney: marineimages.co.uk
Tracy Saunders: tracy@tasdesign.co.uk
Cover Photograph Alan Hanna



In-House Resources include:

Design & CAD modelling - using advanced Pro-Engineer CAD software our design team can quickly develop new ideas and designs into computer models, which can be structurally assessed with our Ansys computer simulated stress analysis software. Prototype models can be seen within hours using our Dimension 3D part printer.

Tool making - finished designs are seamlessly progressed through the tool making stages using the parametric features of Pro-Engineer tool design and CNC machining software. Our toolmakers can produce single or multi-impression tools for injection moulding, sheet metal pierce and blank tools, secondary operation form tools, assembly jigs and fixtures.

Component parts - our factory is equipped to manufacture a diverse range of parts. So we can be particularly flexible in the production of short run specialist parts, and low to medium volume quantities.

CNC injection moulding - we are experts in the use of advanced engineering polymers and composites such as carbon fibre filled acetals and nylons.

CNC turned parts - our 5 axis sliding head lathes produce high precision parts in all materials.

CNC sheet metal forming - pierced and blanked parts, with secondary forming and cutting presses.

CNC milled parts - all materials.

Aluminum gravity cast parts - from our own in-house foundry.

Fabrication - our versatile and skilled workforce can provide fully assembled products, using a range of techniques such as welding, drilling, riveting, threaded fasteners, adhesives, pad-printing and packing.

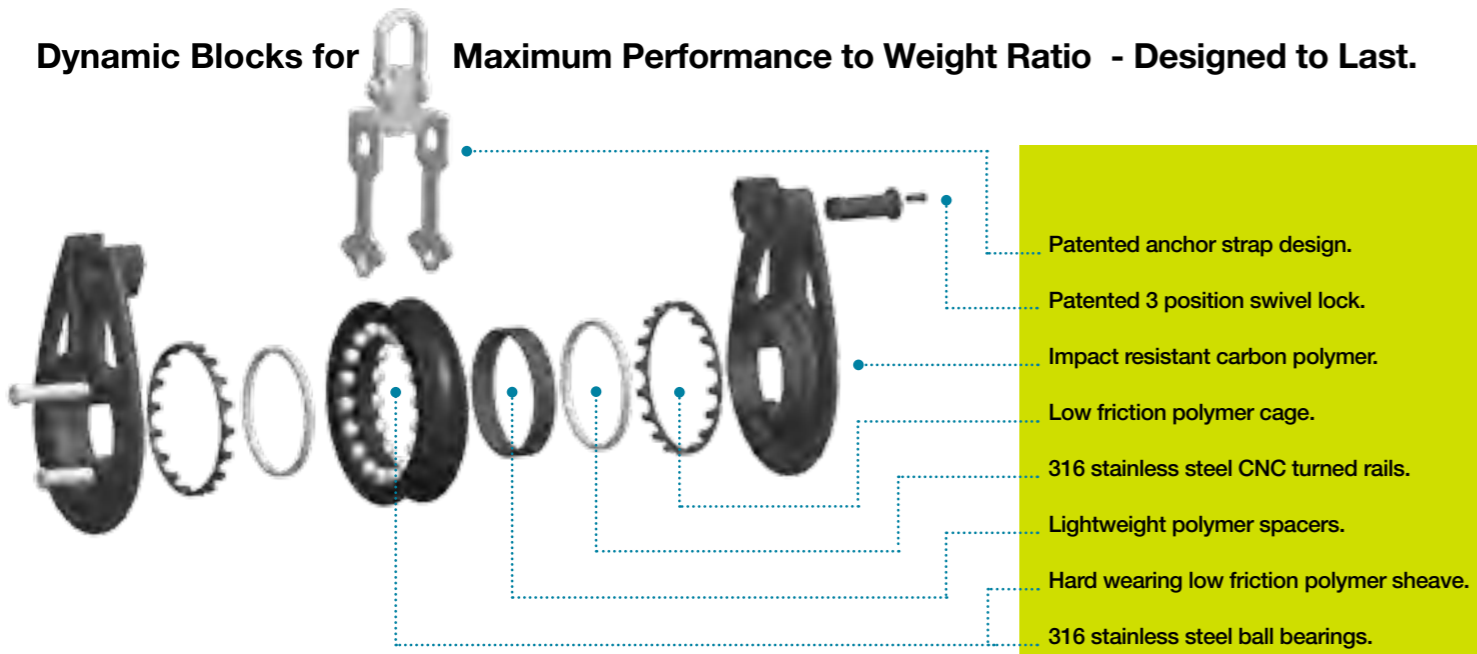
Sales and distribution - Our efficient and dedicated sales team is ready to take your orders and will endeavour to dispatch all orders received before 3pm on the same day, if in stock. World-wide distribution can be arranged by our export manager.



BLOCKS

Wilder Boats, Merlin Rocket

Dynamic Blocks for Maximum Performance to Weight Ratio - Designed to Last.



'It's the stainless steel balls running on stainless steel rails that give Allen's blocks maximum performance'
 Luke Patience



20mm Dynamic Bearing Blocks

They may look similar to some of our competitors but take a closer look at the finer details of their design, the quality of the materials and construction to fully appreciate the difference. From the patented high strength .316 stainless steel line friendly ultra strap, to the soft contours of the sheave and cheeks moulded from advanced engineering polymers, patented dynamic bearing technology featuring twin rows of .316 stainless steel ball bearings all held together with a meticulously designed .316 stainless steel jacket, our blocks are the strongest and best available on the market.

Key for load rating tables	
Maximum Dynamic Load (MDL)	The maximum load that the block will endure with repeated sheave movement
Breaking Load	The load at which a major block failure is likely to occur
Safe Working Load	The maximum load that the block will endure in static conditions, generally can be interpreted as 50% of the Breaking Load



Part	Description	Length mm	Line Dia. mm	Shackle Pin mm	Break Load kg	MDL kg	Weight g	Hole Centres mm
A2020	Single	37	2.5 - 6	-	540	115	11.1	-
A2020-4035	Single with P-clip	50	2.5 - 6	5	540	115	15	-
A2020-4036	Single with offset lacing eye	50	2.5-6	-	540	115	15	15
A2020HL	High load single - ss sheave	37	2.5 - 6	-	540	300	17.5	-
A2020LZ	Single with lacing eye	41	2.5 - 6	-	520	115	15.4	27
A2020SC	Single with swivel head	49	2.5 - 6	4	350	115	15.4	-
A2020SHK	Single with swivel hook	60	2.5 - 6	-	350	115	19	-
A2020TII	Tie-on single	29	2.5 - 6	-	540	115	11	-
A2021	Single multi function	35	2.5 - 6	-	350	115	11.5	-
A2021F	Single fork head	48	2.5 - 6	4	350	115	15.2	-
A2021HK	Single with hook	60	2.5 - 6	-	165	115	17.5	-
A2021SC	Shackle swivel head	49	2.5 - 6	4	350	115	15.4	-
A2022	Double	49	2.5 - 6	-	500	200	31.6	-
A2022F	Double fork block	49	2.5 - 6	4	500	115	15.5	-
A2022Tii	Tie-on double	29	2.5 - 6	-	540	115	30	-
A2023	Double with becket	61	2.5 - 6	-	500	225	33.5	-
A2023HK	Double with becket and hook	67	2.5 - 6	-	500	225	34	-



Riveted for extra security

A2024 A2024-677 A2024F A2025 A2025-677



A2026 A2026M A2026-PROFIX A2027 A2028



A2028HL A2029 A2121 A2122



A4502 A4968 A5404S

Part	Description	Length mm	Line Dia. mm	Shackle Pin mm	Break Load kg	MDL kg	Weight g	Hole Centres mm
A2024	Triple	51	2.5 - 6	-	650	300	47.9	30
A2024-677	Triple with inverted cleat	779	2.5 - 6	-	650	320	86.9	26
A2024F	Triple with fork	51	2.5 - 6	4	650	300	48	18
A2025	Triple with becket	66	2.5 - 6	-	650	320	52.9	-
A2025-677	Triple, inverted cleat & becket	779	2.5 - 6	-	650	320	86.9	-
A2026	Cheek	45	2.5 - 6	4	350	115	15.3	-
A2026M	Composite cheek	32	2.5 - 6	-	540	115	12	-
A2026-PROFIX	Cheek adaptor for A2021	-	-	-	-	3.8	-	-
A2027	Triple, cleat & becket	779	2.5 - 6	-	650	320	86.9	26
A2028	Back to back	52	2.5 - 6	-	540	115	20	16
A2028HL	High load back to back	52	2.5 - 6	-	540	30	32	-
A2029	Traveller - linked	70	2.5 - 6	-	540	115	21.8	-
A2121	Through deck single Allenite	34	4-6	-	400	105	10.80	43
A2122	Through deck double Allenite	60	4 - 6	-	350	105	20	64
A4502	Upstand	33	4 - 6	-	350	105	22	-
A4968	Flip flop	30	4 - 6	-	350	105	19	-
A5404S	Shackle head for A2021	15	-	4	780	-	4.4	-

30mm Dynamic Bearing Blocks

Using the same high quality material and precision engineering as the 20mm dynamic range, and 30mm dynamic bearing blocks offer best in class strength and reliability.



"2030XHL, it's indestructible"
Chris Rashley



Chris Rashley, Maguire Int.Moth



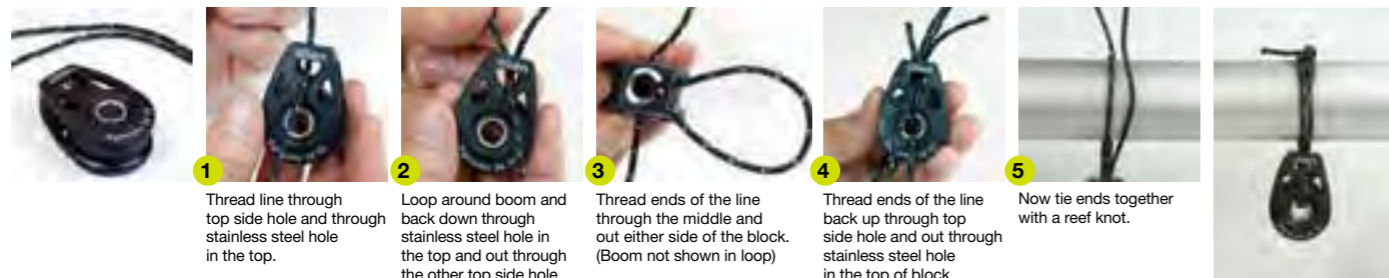
A2030 A2030-40 A2030HL A2030LZ A2030SC A2030SHK
A2030TII A2031 A2031F A2031SC A2032 A2032TII
A2030XHL-SIL A2030XHL-BLK A2030XHL-BLUE A2030XHL-GOLD A2030XHL-ORANGE A2030XHL-PURPLE

Part	Description	Length mm	Line Dia. mm	Shackle Pin mm	Break Load kg	MDL kg	Weight g	Hole Centres mm
A2030	Single	50	6 - 10	-	750	140	26	-
A2030-40	Traveller 30-40 linked blocks	110	6 - 14	-	750	140	63	-
A2030HL	High load single - s/s sheave	50	6 - 10	-	800	250	39	-
A2030LZ	Stand-up fixed	58	6 - 10	-	500	140	30.2	34
A2030SC	Swivel block	68	6 - 10	4	450	140	36	-
A2030SHK	Single with swivel hook	68	6 - 10	-	450	140	35	-
A2030TII	Tie-on single	42	5 - 7	-	750	140	24	-
A2031	Single multi function.	48	6 - 10	4	750	140	28	-
A2031F	Single fork head	68	6 - 10	4	450	140	36	-
A2031SC	Singe swivel fork	70	6 - 10	4	400	140	37	-
A2032	Double	64	6 - 10	-	1250	280	72	-
A2032TII	Tie-on double	42	5	-	750	140	48	-
A2034-676	Triple with inverted cleat	96	6 - 10	-	1750	140	49	-
A2035-676	Triple, becket and inverted cleat	96	6 - 10	-	1750	490	146	-
A2030XHL-BLUE	Extreme high load blue	43	5 - 8	-	1000	300	41	-
A2030XHL-GOLD	Extreme high load gold	43	5 - 8	-	1000	300	41	-
A2030XHL-ORANGE	Extreme high load orange	43	5 - 8	-	1000	300	41	-
A2030XHL-PURPLE	Extreme high load purple	43	5 - 8	-	1000	300	41	-



RS Racing, RS Feva

How to:- Attach a tie-on block to the boom



1 Thread line through top side hole and through stainless steel hole in the top.

2 Loop around boom and back down through stainless steel hole in the top and out through the other top side hole.

3 Thread ends of the line through the middle and out either side of the block. (Boom not shown in loop)

4 Thread ends of the line back up through top side hole and out through stainless steel hole in the top of block.

5 Now tie ends together with a reef knot.

Recommended maximum rope diameter for blocks:- A2020TII = 1.5mm A2030TII = 2mm A2040TII = 3mm A2050TII = 4mm

30mm Dynamic Bearing Blocks



Part	Description	Length mm	Line Dia. mm	Shackle Pin mm	Break Load kg	MDL kg	Weight g	Hole Centres mm
A2033	Double with becket	76	6 - 10	-	1250	350	77	-
A2034	Triple	67	6 - 10	-	1750	420	103	-
A2035	Triple with becket	87	6 - 10	-	1750	490	114	-
A2036	Cheek block	60	6 - 10	4	500	140	35	-
A2036M	Composite cheek	50	6 - 10	-	400	140	24	30
A2036-PROFIX	Cheek adaptor for A2031	-	-	-	-	3.8	-	-
A2037	Triple, cleat & becket	96	6 - 10	-	1750	490	146	30
A2038	Back to back	78	6 - 10	-	750	140	49	-
A2038HL	High load back to back	78	6 - 10	-	750	600	76	-
A2039	Traveller	94	6 - 10	-	750	140	52	-
A2039-CAM	Single with fiddle and cleat (kicker)	85	6 - 10	4	600	140	86.2	-
A2039-FIDDLE	Single with fiddle	85	6 - 10	4	600	140	-	-
A2131	Through deck single Allenite	47	5-8	-	500	140	25.6	60
A2132	Through deck double Allenite	77	5-8	-	650	140	45	90
A4101	Upstand block	45	6	-	850	140	57	60
A4801	Through deck block	45	6	-	700	140	39	90
A4978	Flip flop	63	6	-	700	140	58	-
A5405S	Shackle head for A2031	19	-	5	1250	-	9	-
A4978	Midi flip flop	63	6	-	850	140	58	30
A5405S	Shackle head for A2031	19	-	5	1250	-	9	-

40mm Dynamic Bearing Blocks

Suitable for more demanding applications, the 40mm dynamic bearing block range, together with 40mm cleat and fiddle dynamic bearing blocks are an ideal choice for mainsheet and high load jib systems.

Key for load rating tables

Maximum Dynamic Load (MDL)	The maximum load that the block will endure with repeated sheave movement
Breaking Load	The load at which a major block failure is likely to occur
Safe Working Load	The maximum load that the block will endure in static conditions, generally can be interpreted as 50% of the Breaking Load

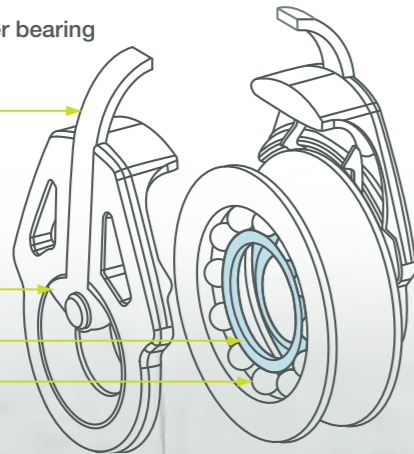
Stainless steel dynamic inner bearing

Cold forged soft radius head

Anchor formed fixing point reduces rivet size

Stainless steel inner bearing

Stainless steel ball bearings



A2040



A2040B



A2045



A2047



A2040SC



A2040TII



A2040-4222ASS



A2040LZ



A2046



A2042



A2040SC-676



A2040SC-677



A2041



A2041-676



A2041-677



A2041-677HK



A2043



A2043-676



A2043-677



A2044



A2044-676



A2044-677

Part	Description	Length mm	Line Dia. mm	Shackle Pin mm	Break Load kg	MDL kg	Weight g	Hole Centres mm
A2040	Single	64	6 - 10	-	800	180	36.4	-
A2040B	Removable bolt block	64	6 - 10	-	800	180	37.2	-
A2040HK	Hook	110	5 - 10	800	200	68	-	-
A2040SC	Swivel	73	6 - 10	4	800	180	46.5	-
A2040TII	Tie-on single	58	5-8	-	800	180	34.5	-
A2040-4222ASS	Single with swivel plate and spring	78	5-10	-	800	180	69	-
A2040LZ	Single with lacing eye and spring	77.5	5-10	-	800	180	45	34
A2046	Cheek	62	6 - 10	-	800	180	33.0	35
A2042	Double	84	6 - 10	-	1350	320	89.0	-
A2045	Triple	84	5-10	-	1350	320	129	-
A2047	Quad	84	5 - 10	-	1350	320	165	-
A2040SC-676	Swivel with A.676 cam cleat	73	4-10	-	800	180	142	-
A2040SC-677	Swivel with A.677 cam cleat	73	2-6	-	800	180	107	-
A2041	Swivel with 20mm fiddle block	100	6-10	-	800	180	86	-
A2041-676	Swivel with 20mm fiddle block A.676 and cam cleat	100	6-10	-	800	180	140	-
A2041-677	Swivel with 20mm fiddle block and A.677 cam cleat	100	2 - 6	-	800	180	128	-
A2041-677HK	Swivel with 20mm fiddle block and A.677 and hook	100	2 - 6	4	800	180	140	-
A2043	Swivel with becket	100	6 - 10	-	800	180	79	-
A2043-676	Swivel with becket and A.676 cam cleat	100	4 - 10	-	800	180	157	-
A2043-677	Swivel with becket and A.677 cam cleat	100	2 - 6	-	800	180	152	-
A2044	Swivel with 20mm fiddle block and becket	122	6 - 10	-	800	180	100	-
A2044-676	Swivel with 20mm fiddle block, becket and A.676	122	4 - 10	-	800	180	152	-
A2044-677	Swivel with 20mm fiddle block, becket and A.677	122	2 - 6	-	800	180	147	-

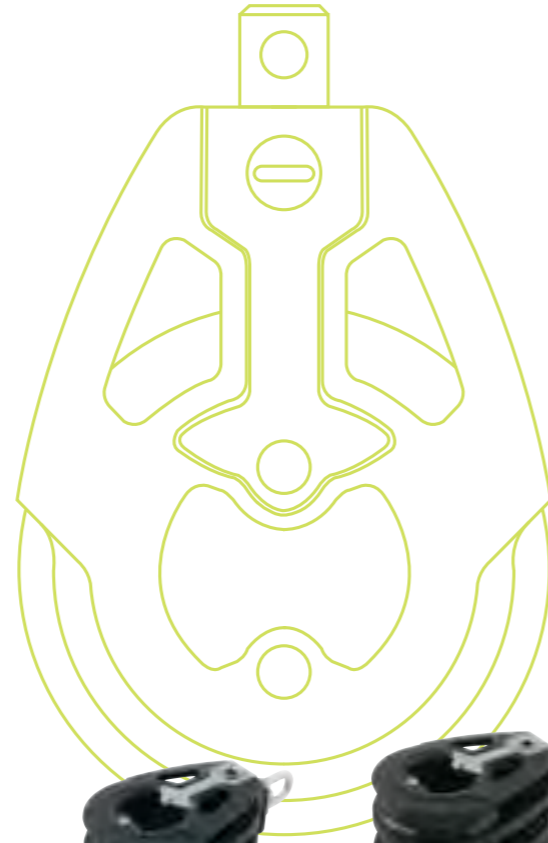
Winder Boats, Lark

50 and 60mm Dynamic Bearing Blocks

Suitable for numerous applications including catamarans, sports boats and keelboats. Patented dynamic bearing technology, utilising high quality 316 stainless steel ball bearings running on a stainless steel axle, provides unsurpassed dynamic load carrying capacity. A large central hole for tie-on becket requirements and the high quality design and engineering is noticeably in a league of its own.

Key for load rating tables

Maximum Dynamic Load (MDL)	The maximum load that the block will endure with repeated sheave movement
Breaking Load	The load at which a major block failure is likely to occur
Safe Working Load	The maximum load that the block will endure in static conditions, generally can be interpreted as 50% of the Breaking Load



A2050
A2060

A2050TII

A2052
A2062

A2053
A2063

A2054
A2064



A2054HK

A2055
A2065

A2058
A2068



A2056
A2066

A2057
A2067

A2159
A2169

A2059
A2069



Goodall Design, C2



Part	Description	Length mm	Line Dia. mm	Shackle Pin mm	Break Load kg	MDL kg	Weight g	Hole Centres mm	Hole Size mm
A2050	Single	95	5 - 10	4	900	300	73	-	-
A2050C	Cheek block	94	5 - 10	-	900	300	100*	52.5	4
A2050TII	Tie-on single	72	5 - 10	-	900	300	61	-	-
A2052	Double	100	5 - 10	4	950	450	148	-	-
A2053	Double with becket	136	5 - 10	4	950	450	160	-	-
A2054	Triple	100	5 - 10	4	950	470	190	-	-
A2054HK	Triple with hook	140	5 - 10	4	950	470	227	-	-
A2055	Triple with becket	136	5 - 10	4	950	470	223	-	-
A2056	Quad	100	5 - 10	5	950	470	269	-	-
A2057	Quad with becket	136	5 - 10	5	950	470	274	-	-
A2058	Triple with ratchet and adjustable cleat	120	5 - 10	4	950	-	391	-	-
A2059	Quint	100	5 - 12	5	950	470	270*	-	-
A2159	Quint with ratchet and adjustable cleat	136	5 - 8	5	950	470	410*	-	-
A2060	Plain	118	5 - 12	5	1000	500	126	60	-
A2060C	Cheek block	115	5 - 12	5	1000	500	149	60	-
A2062	Double	130	5 - 12	5	1250	600	255	-	-
A2063	Double with becket	148	5 - 12	5	1250	600	271	-	-
A2064	Triple	130	5 - 12	5	1250	600	353	-	-
A2065	Triple with becket	148	5 - 12	5	1250	600	397	-	-
A2066	Quad	130	5 - 12	5	1250	600	443	-	-
A2067	Quad with becket	148	5 - 12	5	1250	600	456	-	-
A2068	Triple with becket	148	5 - 12	5	1250	600	535	-	-

Ratchet Blocks

AutoRatchet blocks

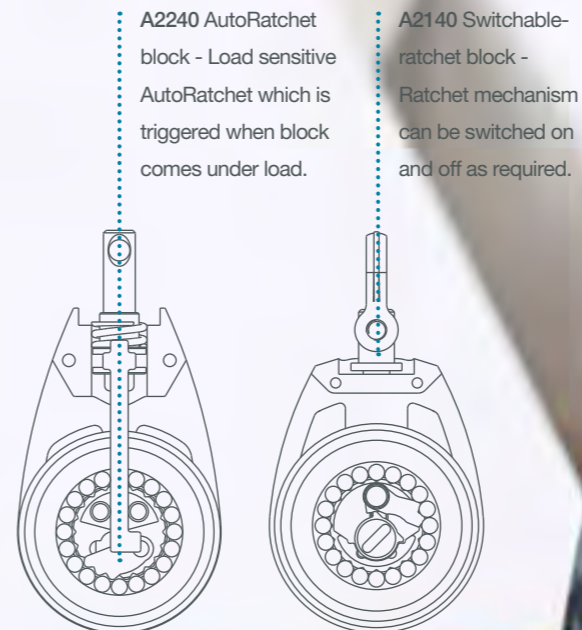
Allen were pioneers in the development of the first AutoRatchet blocks more than 30 years ago. The clever internal mechanism is designed to activate when the block is under load - as every sailor knows this can make all the difference on a long spinnaker reach or upwind beat. Years of constant development with the world's top sailors has made the AutoRatchet one of the most reliable and effective on the market. All our ratchet blocks are engineered with ball bearing technology and advanced engineering polymers for longevity and performance.

Switchable ratchet blocks

These blocks have a ratchet mechanism that can easily be switched on or off even under load and the swivel head can be locked in a fixed position. Allen sheave technology gives you grip under load and easy release when the load is decreased. The cheek block allows port or starboard deck mounting. The 50mm switchable ratchet block is ideal for sailors wanting to reduce the size without losing the inherent strength of this design.

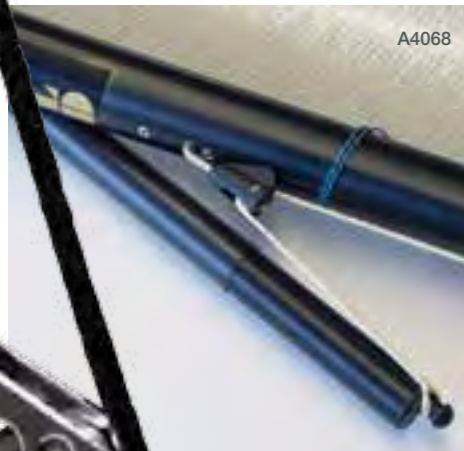


Part	Description	Length mm	Line Dia. mm	Shackle Pin mm	Break Load kg	Trigger Load kg	SWL kg	Weight g
A2140	40mm single switchable ratchet	78	5 - 6	4	475	-	150	40
A2240	40mm single AutoRatchet swivel	80	6	4	400	10	150	75
A2241	40mm single AutoRatchet with becket	91	6	4	400	10	150	96
A2242	40mm single AutoRatchet & adjustable cleat	96	6	4	400	10	150	147
A2345	45mm single AutoRatchet	90	5 - 8	4	600	6	200	56
A2150	50mm single switchable ratchet	95	5 - 10	4	700	-	200	64.5
A2150FIDDLE	50mm single switchable ratchet with fiddle	144	5 - 10	4	700	-	200	80
A2151	50mm single switchable ratchet with becket & cleat	136	5 - 10	4	700	-	200	64.6
A2058	50mm triple, switchable ratchet & cleat	120	5 - 10	4	950	-	470	370
A2159	50mm quint, switchable ratchet & cleat	136	5 - 10	4	700	-	200	550
A4621	52mm single AutoRatchet	93	6 - 10	5	500	13	200	135
A4721	52mm single AutoRatchet with becket	119	6 - 10	5	500	13	200	150
A4921	52mm single AutoRatchet & adjustable cleat	119	6 - 10	5	500	13	200	304
A2360	60mm single Autoratchet	110	5 - 12	5	1000	10	275	110
A2160	60mm single switchable ratchet	110	5 - 12	5	1000	-	275	110
A2160C	60mm single switchable ratchet with cheek adaptor	108	5 - 12	5	1000	-	275	64.5*
A2160FIDDLE	60mm single switchable ratchet with fiddle	136	5 - 12	5	1000	-	275	81
A2161	60mm single switchable ratchet with becket & cleat	127	5 - 10	5	1000	-	275	333
A2169	60mm quint switchable ratchet with becket & cleat	148	5 - 12	5	1000	-	600	750
A2068	60mm triple switchable ratchet with becket & cleat	145	5 - 10	5	1250	-	600	550
A.621	Spring guard for AutoRatchets	-	-	-	-	-	2.5	-
A.622	Spring guard for switchable ratchets	-	-	-	-	-	2.5	-



High Tension Blocks

The Allen high tension stainless steel block range is specifically intended for use where wire, dyneema and spectra lines are loaded under high tension. The entire block is engineered using 316 stainless steel and the inner ball race sheave is CNC machined from solid bar, giving unfailing results everytime.



A4068



A4068



A4568



A4569



A4669



A4570



A4670



A4279



A4379



A4379HK



A4379HK-90



A4393



A4393HK



A4479



A4993



A4679



A4693



A4779



A4979



A4593



A4196



A4296



A4396



A4496



A4596



A4696



A4796

Part	Description	Sheave Dia mm	Length mm	Line Dia mm	Shackle Pin mm	Break Load kg	Weight g
A4068	Optimist sprit	16	46	2 - 4	4	400	11
A4568	Single	16	29	2 - 4	4	400	11
A4569	Double	16	40	2 - 4	4	400	25
A4669	Double with becket	16	50	2 - 4	4	400	26
A4570	Triple	16	40	2 - 4	4	400	36
A4670	Micro triple with becket	16	50	2 - 4	4	400	38
A4279	Single flared cheek	25	41	2 - 7	5	750	44
A4379	Single fixed head	25	41	2 - 5	5	750	25
A4379HK	Single with hook	25	105	2 - 6	-	500	81
A4379HK-90	Single with hook	25	105	2 - 6	-	500	81
A4393	Single fixed head with becket	25	59	2 - 5	5	750	31
A4393HK	Single fixed head and becket with hook	25	41	2 - 5	5	750	81
A4479	Single with shackle	25	41	2 - 5	5	750	33

Part	Description	Sheave Dia. mm	Length mm	Line Dia. mm	Shackle Pin mm	Break Load kg	Weight g
A4993	Single clevis pin head	25	41	2 - 5	5	750	31
A4679	Double fixed head	25	51	2 - 5	5	750	54
A4693	Triple fixed head with becket	25	68	2 - 5	5	750	84
A4779	Double fixed head with becket	25	68	2 - 5	5	750	60
A4979	Quad fixed head	25	51	2 - 5	5	750	89
A4593	Triple fixed head	25	51	2 - 5	5	750	78
A4196	Single fixed head	38	60	2 - 6	5	1000	62
A4296	Single with shackle	38	74	2 - 6	5	1000	60
A4396	Single fixed head with becket	38	74	2 - 6	5	1000	77
A4496	Double fixed head	38	74	2 - 6	5	1000	68
A4596	Double fixed head with becket	38	74	2 - 6	5	1000	68
A4696	Triple fixed head	38	74	2 - 6	5	1000	96
A4796	Triple fixed head with becket	38	74	2 - 6	5	1000	85

Classic Blocks

The Allen classic nylon sheet blocks can be used in a number of applications. Available either with a plain bearing system or ball bearing system, they have been adopted by the Laser class as the block of choice for use on the mainsheet system.



Part	Description	Length mm	Line Size mm	Break Load kg	SWL kg	Weight g
A.178	29mm single	48	8		250	140
A.178BB	29mm single ball bearing	48	8	250	150	24
A.178-74	29mm single + Inglefield clip	69	8		250	140
A.178-74BB	29mm single ball bearing with Inglefield clip	69	8	250	140	23
A.278	38mm single	66	10		300	155
A.278BB	38mm single ball bearing	66	10	300	155	50
A.278-74	38mm single + Inglefield clip	86	10		300	155
A.278-74BB	38mm single ball bearing with Inglefield clip	86	10	300	155	56
A.378	38mm single + becket	85	10		300	155
A.378BB	38mm single ball bearing with becket	85	10	300	155	55

Light Weight Plain Bearing Block

With 316 stainless steel cheeks and either brass or acetal sheaves the range is available with 16, 25 and 38mm diameter sheaves and a number of configurations. A very attractive yet simple block.



Part	Description	Length mm	Line Dia. mm	Shackle Pin mm	Break Load kg	Weight g
A4078	16mm single acetal sheave	26	2 - 5	4	275	5
A4080	16mm single with brass sheave	26	2 - 5	4	275	10
A4081	16mm double	30	2 - 5	4	275	10
A4181	16mm cheek	30	2 - 5	4	275	6
A4501	16mm through deck guide	16	2 - 5	-	275	7
A4178	25mm single	41	4 - 8	-	400	13

Plain Bearing Reinforced Blocks

This plain bearing budget block range is a suitable alternative to the dynamic block range where a strong performance block is required but with a classic look.



Part	Description	Length mm	Line Dia. mm	Shackle Pin Dia. mm	Break Load kg	Weight g
A4250P	Single	39	2 - 6	-	400	10
A4686P	Cheek	43	2 - 6	-	400	10
A4280P	27mm single	22	4 - 10	-	600	55
A4280PSC	27mm single with swivel	37	4 - 10	5	600	58
A4380P	27mm single with becket	28	4 - 10	-	600	73
A4380PSC	27mm single with becket and swivel	46	4 - 10	5	600	78
A4580PC	27mm double with becket	63	4 - 10	-	600	58
A3280P	38mm single	40	6 - 12	-	800	70
A3380P	38mm single with becket	48	6 - 12	-	800	70

V Cleat Blocks

A simple yet effective choice of stainless steel and pressure die-cast aluminium V cleats with acetal sheaves and a choice of hook and becket attachment.



Part	Description	Length mm	Line Dia mm	Shackle Pin mm	Break Load kg	SWL kg	Weight g
A..93	Single + becket	79	4 - 6	5	620	310	39
A..93LZ	Single + becket & straight key	86	4 - 6	5	620	310	40
A.165A	Fiddle + jammer & curved key	100	4 - 6	5	620	310	62
A.165LZ	Fiddle + jammer	93	4 - 6	5	620	310	61
A.165PS	Fiddle + jammer & straight key	100	4 - 6	5.5	620	310	62
A4165	V cleat fiddle	72.8	4 - 6	5	600	-	38
A4165SC	V cleat with block and swivel	100	4 - 6	5	200	-	59
A4165E	V cleat fiddle with hook	104.5	4 - 6	-	200	-	61
A4265	V cleat with hook	61	4 - 6	5	550	-	33

Sheaves

Made from acetal resin, aluminium, or stainless steel and featuring either ball or plain bearings, Allen sheaves come in a wide range of sizes and configurations to suit all applications whether it is replacing old or worn existing parts or to build a custom fitting yourself.



A3342

A3343



A4567
A4786-6
A4786-8
A4986-6
A4986-8

A1086
A3085
A4086
A4886
A1886



A.119
A.150
A.220

A.612
A.613
A.614



A.386

A..45
A..85
A..86



A..80A

A.215
A.216



A.217
A.219

A..46
A..83
A..84
A.185
A.315



Part	Description	Diameter mm	Width mm	Bore mm	Weight gm
A3342	20mm dynamic high load sheave	20	11	4.5	12
A3343	30mm dynamic high load sheave	30	13	7.5	26
A4567	High load ball bearing	16	5	3.5	5
A4786-6	High load ball bearing	38	6	8	51
A4786-8	High load ball bearing	38	8	8	55
A4986-6	High load ball bearing	25	6	8	17
A4986-8	High load ball bearing	25	8	8.4	19
A1086	Ball bearing / sheave acetal resin	40	14	6	26
A3086	Ball bearing / sheave acetal resin	38	12	5	16
A4086	Ball bearing / sheave acetal resin	27	10	4.4	7
A4886	Ball bearing / sheave acetal resin	20	7	3	3
A1886	Ball bearing / sheave acetal resin	52	15	7.5	46
A..45	Plain bearing / sheave acetal resin	15	6	6	0.5
A..85	Plain bearing / sheave acetal resin	36	6	8	5
A..86	Plain bearing / sheave acetal resin	26	8	8.5	2
A.119	Plain bearing / sheave acetal resin	50	8	8	10
A.150	Plain bearing / sheave acetal resin	38	8	8	7
A.220	Plain bearing / sheave acetal resin	27	6	9	2
A.386	27mm Plain bearing nylon cheek block	27	8	75	9
A.612	Plain bearing / sheave acetal resin	20	7	6	1
A.613	Plain bearing / sheave acetal resin	27	10	8	2
A.614	Plain bearing / sheave acetal resin	38	12	8	8
A..80A	Plain bearing / sheave acetal resin	27	18	10	4
A.215	Plain bearing / sheave acetal resin	38	12	8	9
A.216	Plain bearing / sheave acetal resin	50	13	8	14
A.217	Plain bearing / sheave acetal resin	74	13	9	26
A.219	Plain bearing / sheave acetal resin	62	13	7.8	20
A..46	Plain bearing / sheave brass	16	6	6	6
A..83	Plain bearing / sheave aluminium	38	8	8	20
A..84	Plain bearing / sheave aluminium	28	8	9	10
A.185	Plain bearing / sheave aluminium	38	6	8	14
A.315	Plain bearing / sheave aluminium	38	12	8	30

High Load Thimbles

High load thimbles - teflon coated anodised machined aluminium - alternative to blocks where static load is applied. All sizes are available in black, blue, silver, purple, gold and orange.



A..87

A..87-15

A..87-20

A..87-25

A..87-30

A..87-35

Part	Description	Diameter mm	ID	SWL	Weight g
A..87	Aluminium thimble - black - 12mm wide	25	8	800	5
A..87-15	Aluminium thimble	15	6	300	1
A..87-20	Aluminium thimble	20	8	400	2
A..87-25	Aluminium thimble	25	10	800	5
A..87-30	Aluminium thimble	30	12	1000	7
A..87-35	Aluminium thimble	35	14	1500	11
A..82-8	Stainless steel thimble	8	4	150	0.5
A..82-10	Stainless steel thimble	10	6	250	1
A..82-14	Stainless steel thimble	14	8	300	1.5

Springs Stainless Steel

Large cylindrical springs are designed to suit blocks such as the Ezi-ratchet as well as some of the blocks in the A2030 range and above. Conical springs are ideal for the whole range of blocks.

Description - Springs - stainless steel																
Part	Lacing eye	A2020 range	A2030 range	A2040 range	A2050 range	A2060 range	A2240 ratchet	A2140 ratchet	A2150 ratchet	A4621 ratchet	A2160 ratchet	A4093	A4178	A4778	27mm range	38mm range
A1034	A1034 A4073		✓	✓	✓	✓	✓	✓	✓	✓	✓			✓	✓	✓
	A1034 A4388		✓	✓	✓	✓	✓	✓	✓	✓	✓			✓	✓	✓
	A1034 A4488		✓	✓	✓	✓	✓	✓	✓	✓	✓			✓	✓	✓
	A1034 A5015		✓	✓	✓	✓	✓	✓	✓	✓	✓			✓	✓	✓
	A1034 A5015F		✓	✓	✓	✓	✓	✓	✓	✓	✓			✓	✓	✓
	A1034 A6050		✓	✓	✓	✓	✓	✓	✓	✓	✓			✓	✓	✓
A4033	A4033 A4073		✓	✓	✓	✓	✓	✓	✓	✓	✓			✓	✓	✓
	A4033 A4088		✓	✓	✓	✓	✓	✓	✓	✓	✓			✓	✓	✓
	A4033 A4388		✓	✓	✓	✓	✓	✓	✓	✓	✓			✓	✓	✓
	A4033 A4488		✓	✓	✓	✓	✓	✓	✓	✓	✓			✓	✓	✓
	A4033 A5015		✓	✓	✓	✓	✓	✓	✓	✓	✓			✓	✓	✓
	A4033 A5015F		✓	✓	✓	✓	✓	✓	✓	✓	✓			✓	✓	✓
A4034	A4034 A5016		✓	✓	✓	✓	✓	✓	✓	✓	✓			✓	✓	✓
	A4034 A5016F		✓	✓	✓	✓	✓	✓	✓	✓	✓			✓	✓	✓
	A4034 A6050		✓	✓	✓	✓	✓	✓	✓	✓	✓			✓	✓	✓
	A4034 A6051		✓	✓	✓	✓	✓	✓	✓	✓	✓			✓	✓	✓
	A4034 A4073		✓	✓	✓		✓	✓						✓		
	A4034 A4288		✓	✓	✓		✓	✓						✓		
A4034 A4388		✓	✓	✓		✓	✓						✓			
A4034 A5014		✓	✓	✓		✓	✓						✓			
A4034 A5014F		✓	✓	✓		✓	✓						✓			
A4034 A5015		✓	✓	✓		✓	✓						✓			
A4034 A5015F		✓	✓	✓		✓	✓						✓			
A4034 A6050		✓	✓	✓		✓	✓						✓			
A4034 A6051		✓	✓	✓		✓	✓						✓			

Snatch Blocks

Featuring 30mm and 40mm dynamic bearing technology with an easy to use mechanism for opening and closing the cheeks, Allen snatch blocks are easily attached to control lines with the safe knowledge that they will be secure until they are no longer required.



Part	Description	Length mm	Line Dia. mm	Breaking Load	Max Dynamic Load	Weight g
A1375	40mm Snatch block	76	6-10	700	200	95
A1376	40mm Snatch block with snap shackle	76	6 - 10	700	180	203
A1378	40mm Back to back snatch blocks with swivel	76	6 - 10	700	140	373
A4475	30mm Snatch block	53	5 - 6	350	140	28

Join the revolution in trapeze sailing...



Introducing a system that revolutionises trapeze sailing as we know it. The dangerous hook, which can cause damage or worse after a capsize is entirely eliminated.

The Allen Keyball Trapeze System is a streamlined design with an aluminium handle to guide the ball into a 3D moulded socket, leading the way to a safer future for trapezing.



allen
DESIGNED FOR SAILING

Keyball

CLEATS & JAMMERS



PHOTO: HARRY KENNEY-HERBERT PHOTOGRAPHY

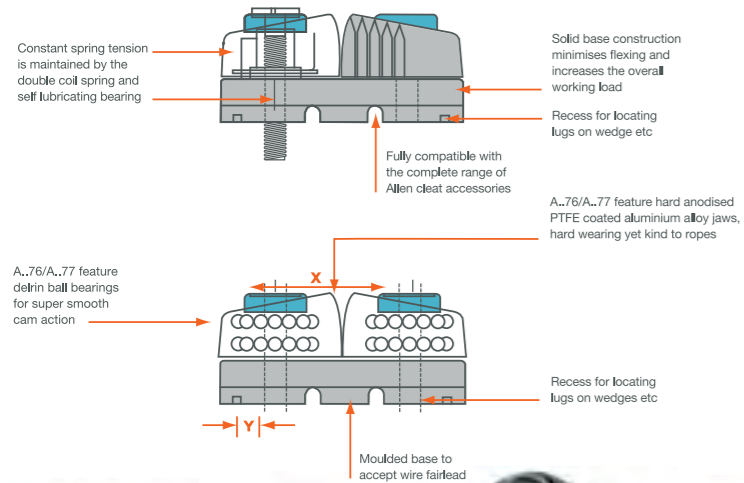
eXploder, A-Class Catamaran.

Cam Cleats

Allen cam cleats have had over 50 years of meticulous R&D to perfect their design. Available in either Alloy or Allenite* the jaw profile optimizes rope entry and exit for smooth cleating and uncleating, whilst double coil springs and ball bearing technology give consistent cam action. The addition of the ultra-prolead with optional wire reinforcement enhances cleating angles for superior performance and longevity.

For ultra-hardwearing applications you can't beat the alloy series cam cleat for strength and durability without shredding your line.

**Allenite is a proprietary material developed by Allen specifically for high wear resistance, low weight and good heat dissipation. This carbon composite material is ideal for cam cleats.*



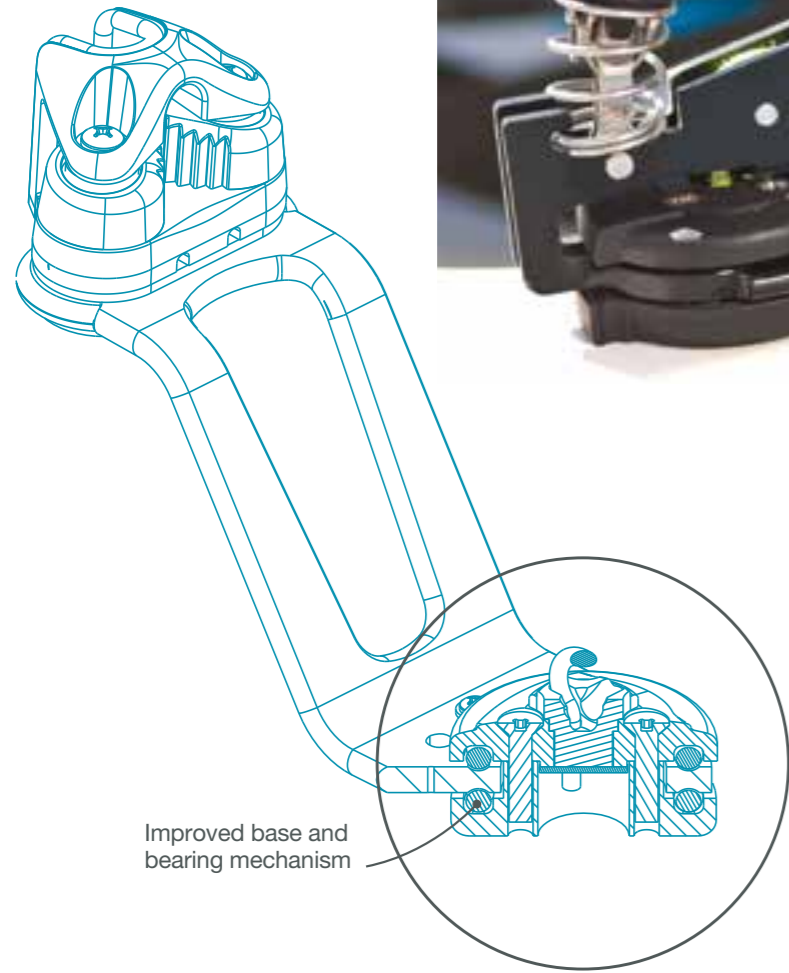
Part	Description	Line Size mm	Fixing Centre mm	Height mm	Weight g	Fixing Hole Size mm
A..76	Hard anodised alloy PTFE coated	4 - 10	38	-	63	M5
A..77	Hard anodised alloy PTFE coated	2 - 6	28	-	29	M4
A.676	Allenite carbon composite	4 - 10	38	-	34	M5
A.677	Allenite carbon composite	2 - 6	28	-	22	M4
A4077	Glass reinforced acetal jaws stainless steel base	4 - 12	38	18	34	M4
A4476	Alloy jaws stainless steel base	2 - 6	26	10	16	M5
A..76-496	A..76 with A.496 Assembled	-	-	-	-	M5
A..77-497	A..77 with A.497 Assembled	-	-	-	-	M5
A.676-496	A.676 with A.496 Assembled	-	-	-	-	M4
A.677-497	A.677 with A.497 Assembled	-	-	-	-	M5
A.496	Mega pro-lead wire reinforced	A.676/A..76				
A.497	Small mega pro lead	A.677/A..77				
A.396	Large pro-lead	A.676/A..76				
A.397	Small pro-lead	A.677/A..77				



Part	Description	Line Size mm	Fixing Centre mm	Height mm	Weight g	Fixing Hole Size mm
A.488	Carbon composite over fairlead	A.677/A..77				
A.588	Carbon composite over fairlead	A.676/A..76				
A1396	Large pro-lead wedge	A.676/A..76				
A1397	Small pro-lead wedge	A.677/A..77				
A4665	Stainless steel wire under fairlead	A.677/A..77				
A4675	Stainless steel wire under fairlead	A.676/A..76				
A.193	Cleat lifter 15mm high	A.677/A..77				
A.293	Cleat lifter 22mm high	A.676/A..76				
A.294	Cleat lifter 10mm high	A.676/A..76				
A4761	Thorough deck fairlead (not inc. cleat)	A.676/A..76				
A4771	Thorough deck fairlead (not inc. cleat)	A.677/A..77				
A.493-993	Wedge kit	A.677/A..77				
A.593-893	Wedge kit	A.676/A..76				
A4334	Cleat base and fairlead with A.676 cam cleat	-	5	-	96	

Mainsheet Jammers

Our design team spent many hours of research and development improving the range of aluminium mainsheet jammers. The A5166 range uses an updated bearing system which has a ball locating groove for smooth rotation whilst preventing the lateral movement of the arm. The angle and height of the cam cleat has been carefully designed to optimise mainsheet jamming and release when required. The angles of rotation can be set to 180, 220 or 360 degrees.



Part	Description	Fixing Hole Size mm	Fixing Centre mm	Max Work Load Kg.	Weight g
A5166	Standard height aluminium arm	M5	20 x 20	600	-
A5166ASSEMBLED	Standard height aluminium arm with A2160	M5	20 x 20	600	484
A5166COMP	Compact aluminium arm	M5	20 x 20	600	-

Part	Description	Fixing Hole Size mm	Fixing Centre mm	Max Work Load Kg.	Weight g
A5166COMP-ASS	Compact aluminium arm with A2160	M5	20 x 20	600	-
A5166-DUAL	Dual aluminium arm with A..76 & A.677	M5	20 x 20	600	513
A5166DUAL-ASS	Dual aluminium arm with A.76 & A.677 with A2160	M5	20 x 20	600	620
A5166FIDDLE	Standard height aluminium arm with A2160FIDDLE	M5	20 x 20	600	504



Mackay Boats, 49er

Swivel Cleats

Our range of swivel cleats has been designed to give smooth sheeting articulation for a variety of applications from jib sheeting to vang systems. The cam cleats are mounted on a high grade 316 stainless steel platform, and angled upward for ease of cleating with either a plain bearing or ball bearing swivel base.



A4866XB

"The Allen A4866XB makes a huge difference, especially on the starting side, Soph can uncleat the jib and adjust it, from the front or the back of the boat really, really easily."

Charlotte Dobson

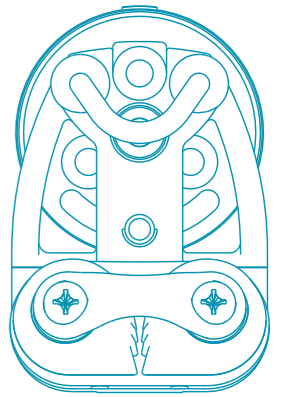
Part	Description	Line Size mm	Height mm	Hole Centres mm	Weight g	Fixing Hole Size mm
A4466	Large swivel lead with composite cleat	4 - 10	72	3 x 27	137	5
A4466Straight	Large swivel lead composite cam cleat straight arm	4 - 10	62	3 x 27	137	5
A4566	Large swivel lead with alloy cleat	4 - 10	72	3 x 27	168	5
A4766	Small swivel lead with composite cleat	2 - 6	57	3 x 27	100	5
A4866	Small swivel lead with alloy cleat	2 - 6	57	3 x 27	114	5
A4866X	Small swivel with alloy cleat & ball bearing base	2 - 6	82	3 x 27	141	5
A4866XB	Swivel cleat for skiff self tacking jib system	2 - 6	57	3 x 27	120	5
A4867	360 swivel cleat with optional stop 45/60/80	2 - 6	52	20pcd	77	5
A4876	Thro' deck control line lead cleat	4 - 6	63	4 x 29	120	5
A4978-77	Flip flop block with cleat	4 - 6	73	18 offset	87	5
A4988	180 deg. swivel cleat	6	95.2	2 x 70	108	5
A4988X	180 swivel cleat with removable sheave	6	95.2	2 x 70	108	5



A4466

A4466STRAIGHT

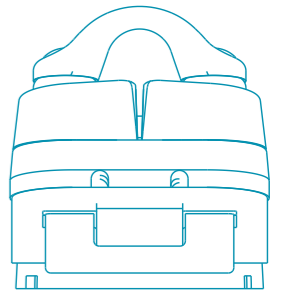
A4566



A4766

A4866

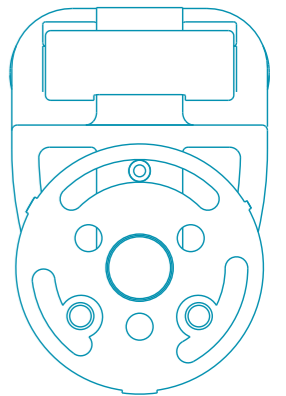
A4866X



A4867

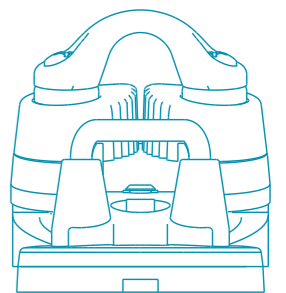
A4876

A4978-77



A4988

A4988X





Tim Harper Boats, Graduate

Clamcleats

The innovative range of Clamcleat® rope cleats for control lines and trapezes. Made from high pressure die cast aluminium, finished in silver or hard anodising.



C203 C211M2A C211MK2/S2 C217M1 C218M1 C218M2
C222 C222A C230 C253 C253AN C257 C270

Part	Description
C203	6mm Clamcleat junior
C211M2A	6mm Clamcleat junior anodised
C211MK2/S2	6mm Clamcleat junior silver
C217M1	6mm Clamcleat side (S)
C218M1	6mm Clamcleat side (P)
C218M2	6mm Clamcleat side (P) Silver
C222	Mini Clamcleat racing silver
C222A	Mini Clamcleat racing anodised
C230	Racing junior MK1 with roller
C236A	Roller fairlead MK 1 racing junior
C253	Trapeze and vang clamcleat
C253AN	Trapeze and vang clamcleat anodised
C257	Auto-release racing mini
C270	Racing micros with becket

Jam Cleats



A.124 A.130

Part	Description	Fixing Hole Size mm	Max Rope Size mm	Length mm	Height mm	Hole Centres mm	Weight g
A.124	Halyard cleat	3	6	63	12	23	3
A.130	Halyard cleat	3	8	92	17	34	6

V Cleats

Simple but effective cleating for applications such as cunningham and downhaul lines



A.146 A.246 A.346 A4146 A4246 A4446

Mast and Deck Cleats

Acetal and aluminium open rope cleat for attachment to mast.



A..81 A.181 A.281 A.381 A.781 A.481 A.581 A.681

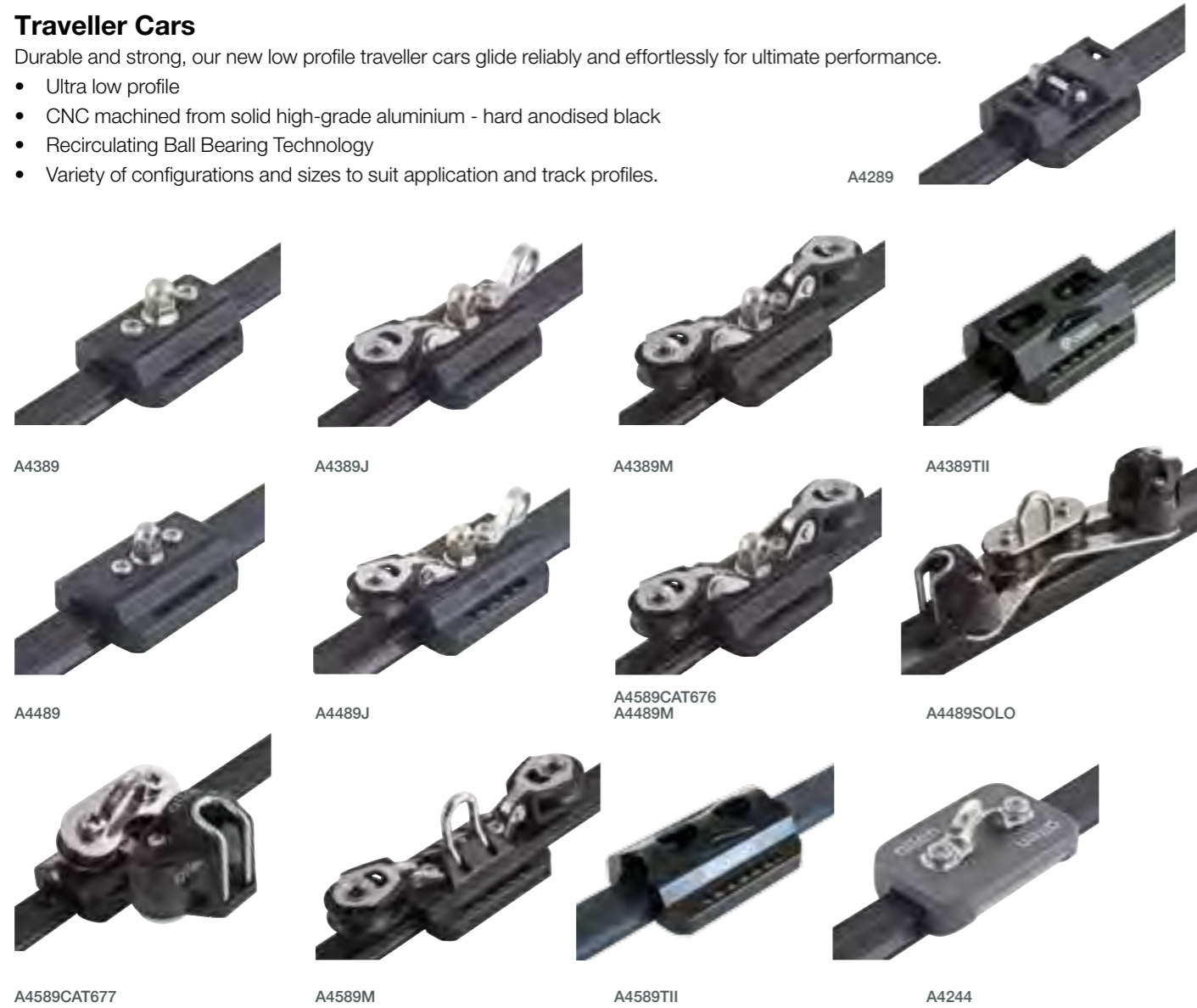
Part	Material	Fixing Hole Size mm	Max Rope Size mm	Length mm	Height mm	Hole Centres mm	Weight g
A.146	Glass filled nylon	4	2 - 6	65	15	53	5
A.246	Glass filled nylon	4	2 - 8	97	23	80	18
A.346	Glass filled nylon	5	3 - 12	129	32	108	51
A4146	Stainless steel.	4	3 - 6	29	10	23	9
A4246	Stainless steel.	5	2 - 6	67	13	53	10
A4446	Double V's - Stainless steel	4	3 - 6	28	10	23	9
A..81	Nylon	3	5	62	13	20	6
A.181	Nylon	4	8	99	20	33	9
A.281	Nylon	5	10	155	27	48	33
A.381	Nylon	6	14	200	38	64	74
A.781	Nylon	5	11	133	25	42	22
A.481	Acetal resin	5	8	100	18	31	10
A.581	Aluminium	4	6	100	20	25	43
A.681	Aluminium	4	8	139	21	30	73



Traveller Cars

Durable and strong, our new low profile traveller cars glide reliably and effortlessly for ultimate performance.

- Ultra low profile
- CNC machined from solid high-grade aluminium - hard anodised black
- Recirculating Ball Bearing Technology
- Variety of configurations and sizes to suit application and track profiles.



Part	Description	To suit Allen track	Max. rope size mm	Dia. of eye mm	Height mm	Length mm	Width mm	Weight g
A4289	Universal adaptable traveller car	A.816	5	-	18	49	40	57
A4389	Low profile traveller car	A.816	6	-	16	50	40	50
A4389J	Low profile car with block and P clip	A.816	6	-	28	90	40	70
A4389M	Traveller car with blocks	A.816	6	-	28	106	40	80
A4389TII	Low profile traveller car with cross webs	A.816	6	-	16	50	40	50
A4489	Traveller car	A.826	6	5	18	60	46	65
A4489J	Car with block and 'P' clip	A.826	6	5	30	108	46	95.6
A4489M	Car with blocks on Profix car adaptor	A.826	6	5	30	86	46	94
A4489SOLO	Traveller car for Solo class	A.826	6	-	60	70	70	90
A4589CAT676	Low profile traveller for cat with A.676	A.819	6	-	70	70	50	115
A4589CAT677	Low profile traveller for cat with A.677	A.819	6	-	65	70	50	115
A4589M	Traveller car with with 2 x 30mm blocks	A.819	8	-	50	70	50	147
A4589TII	Low profile car for tie-on block with cross w	A.819	8	-	26	70	50	56.6
A4244	Traveller with lacing eye	A.826	10	-	15	70	45	87

DECK & HULL FITTINGS



Traveller car sizes

	A4389	A4489	A4589
	Mini	Low	Maxi
Height:	16mm	Height: 18mm	Height: 26mm
Length:	50mm	Length: 60mm	Length: 70mm
Width:	40mm	Width: 46mm	Width: 50mm
Weight:	50g	Weight: 65g	Weight: 80g



Self Tacking Jib System

The A4491 complete self tacking system is the strongest available on the market. Carefully designed, the CNC turned adjustable aluminium legs allow the geometry to work on the curved beam track at any angle whilst the A4489F traveller car has a forked attachment point. Hard anodised black.



Part	Description - Self tacking jib system
A4491	Self tacking jib system complete - 1.1m length
A4491-1.2	Self tacking jib system complete - 1.2m length

Sliding Fairleads & Sheet Leads

Piston stop sheet leads ideal for side deck jib sheeting. Available, where applicable, with either super light, super tough Allenite carbon composite cam cleats or for the ultimate in durability aluminum cam cleats (suffix 76). All sheet fairleads and sheet leads are supplied with track, end stops and fastenings and are supplied as a pair.



A4264

A4274
A4274-76

A4474
A4474-76

A4490



A4573

A4574



A4587



A4590

Part	Description - Sliding Fairleads and Sheet leads	Track Length mm	Dist. Between Adjustments mm	Max Rope Size mm
A4264	Sliding wirelead cam cleat (pair)	300	19	10
A4274	Horizontal 'ALLENITE' cam cleat	377	19	10
A4274-76	Horizontal 'Aluminium' cam cleat	377	19	10
A4474	Vertical 'ALLENITE' cam cleat	300	19	10
A4474-76	Vertical 'Aluminium' cam cleat	300	19	10
A4490	Adjustable Jib Track (pair)	-	-	-
A4573	Sliding fairlead with piston stop	330	19	-
A4574	Piston stop fairlead with ball bearing block	330	19	8
A4587	Sliding Fairlead with cleat mounted on swivel arm	-	-	-
A4590	Adjustable jib slider and track (pair)	-	-	-

Track Slides

Pressed stainless steel track slides with spring loaded piston stop options and Acetal slides for smooth adjustment. We stock a range of spare parts for track slides, please speak to our sales team for more details.



A4354

A4575

A4591

Part	Description - Track slides	To Suit Track	Weight g
A4354	Slider with piston stop and lacing eye	A 326/726	81
A4575	Sliding fairlead with piston stop	A.226	60
A4591	Car for A4590	A.226	-



Pump Action Cleat

CNC machined aluminium body mounted on a robust stainless steel swivel mount. Scan the QR code to see a video demonstration.

A2077



Part	Description	Max Rope Size mm	Length mm	Height mm	Hole Centres mm
A2077	Pump action cleat	1.5 - 4	40	33.5	18



Bow & Shroud Plates

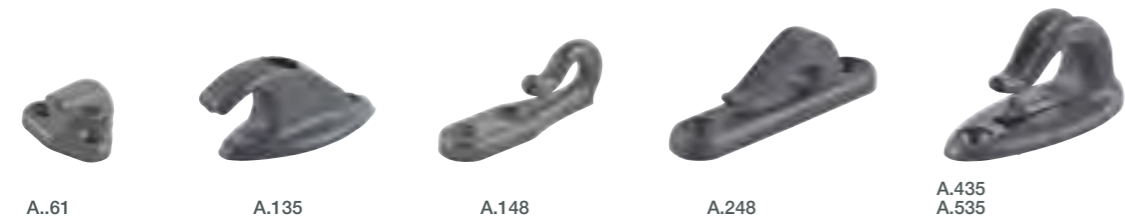
Made from 316 Stainless Steel, Allen's Bow Plates feature foresail and forestay attachment points and potentially a mooring eye.



Part	Description	Length mm	Width mm	Thickness mm	Hole Centres mm	Slot/Tenon mm	Weight gm
A4001E	Bow plate	-	17	1.7	-	-	79
A4025	Shroud plate pair	194	16	2	57	-	37
A4025S	Shroud plate pair	194	16	2	57	-	50
A4171	Shroud plate cover pair	64	16	2	47	16 x 2	12
A4171S	Shroud plate cover pair	64	16	2	47	16 x 4	12
A4225	Bow plate	94	87	1.7	-	-	103

Snatch Fairleads & Lacing Hooks

Fairleads and hooks for leading and attaching lines or shock cord.



Part	Description	Rope Dia mm	Height mm	Length mm	Fixing Hole Size mm	Dist Between Fixings mm	Weight g
A..61	Acetal resin lacing hook - grey	5	16	25	3	16	2
A.135	Nylon lacing hook	8	20	49	4	19	4
A.148	Nylon lacing hook	5	16	49	3	14	0.5
A.248	Nylon lacing hook	4	18	57	4	43	4
A.435	Acetal resin snatch lead	10	25	55	4	40	8
A.535	Acetal resin snatch lead	12	34	72	5	53	21

Hatch Covers

Polypropylene inspection hatch covers in black, grey or white. We have three different designs, A.137 and A.237 are non 'O' ring original design with exposed fixings, the A.337, A.537 and A.637 require a rubber 'O' ring and the more rigid A1737, A1837 and A1937 feature a fully threaded cover with integral seal.



Part	Description	Fixing Hole Size mm	Cut Out Size mm	Opening Size mm	'O' Ring Required mm	Weight g
A.137	Grey hatch cover (non 'O' ring)	3	109	99	-	42
A.137W	White hatch cover (non 'O' ring)	3	109	99	-	42
A.237	Grey hatch cover (non 'O' ring)	3	159	144	-	117
A.237W	White hatch cover (non 'O' ring)	3	159	144	-	117
A.337	Small grey 'O' ring seal hatch cover	3	110	100	A.338	62
A.337-BAG	Small grey cover and rim with hatch bag	3	110	100	A.338	62
A.337W	Small white 'O' ring seal hatch cover	3	110	100	A.337	62
A.337W-BAG	Small white cover and rim with hatch bag	3	110	100	A.338	62
A.537	Med. grey ring seal hatch cover	3	157	145	A.538	111
A.537-BAG	Large grey cover and rim with hatch bag	3	157	145	A.538	111
A.537W	Med. white 'O' ring seal hatch cover	3	157	145	A.538	111
A.537W-BAG	Large white cover with rim and hatch bag	3	157	145	A.538	111
A.637	Large grey 'O' ring seal hatch cover	3	241	223	A.638	266
A.637W	Large white 'O' ring seal hatch cover	3	241	223	A.638	266
A1737	Small black hatch cover rigid with integral seal	4	108	100	-	84
A1737W	Small white hatch cover rigid with integral seal	4	108	100	-	84
A1837	Medium black hatch cover rigid with integral seal	4	138	130	-	117
A1837W	Medium white hatch cover rigid with integral seal	4	138	130	-	117
A1937	Large black hatch cover rigid with integral seal	4	154	148	-	142
A1937W	Large white hatch cover rigid with integral seal	4	154	148	-	142
A.338	Rubber sealing ring for A.337/A.337W	-	-	-	-	-
A.538	Rubber sealing ring for A.537/A.537W	-	-	-	-	-
A.638	Rubber sealing ring for A.637/A.637W	-	-	-	-	-
A-BAG-KIT	Bag only with fixing screw	-	-	-	-	-

U Bolt

Allen U Bolt's are designed to withstand high loads and stresses without distortion. 316 Stainless Steel.

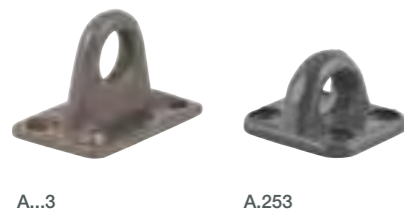
Supplied with top plate, backing plate and nuts.



Part	Description	Rod Size mm	Hole Centres mm	Min Height mm	Overall Height mm	Thread Length mm	Weight g
A4371	U Bolt with top & backing plate 23mm int width	5	28	41	20	24	24
A4471	U Bolt with top & backing plate 32mm int width	6	38	58	25	54	54
A4571	U Bolt with top & backing plate 43mm int width	8	51	75	25	115	115
A4671	U Bolt with top plate 32mm int width	6	38	77.5	39	53	53
A4871	U Bolt with heavy duty back plate 22mm int width	6	28	48	25	62	62
A4512	U Bolt with lowers bracket	6	28	80	25	100	

Anchor Plates

Aluminium, Nylon or Stainless Steel anchor plates.

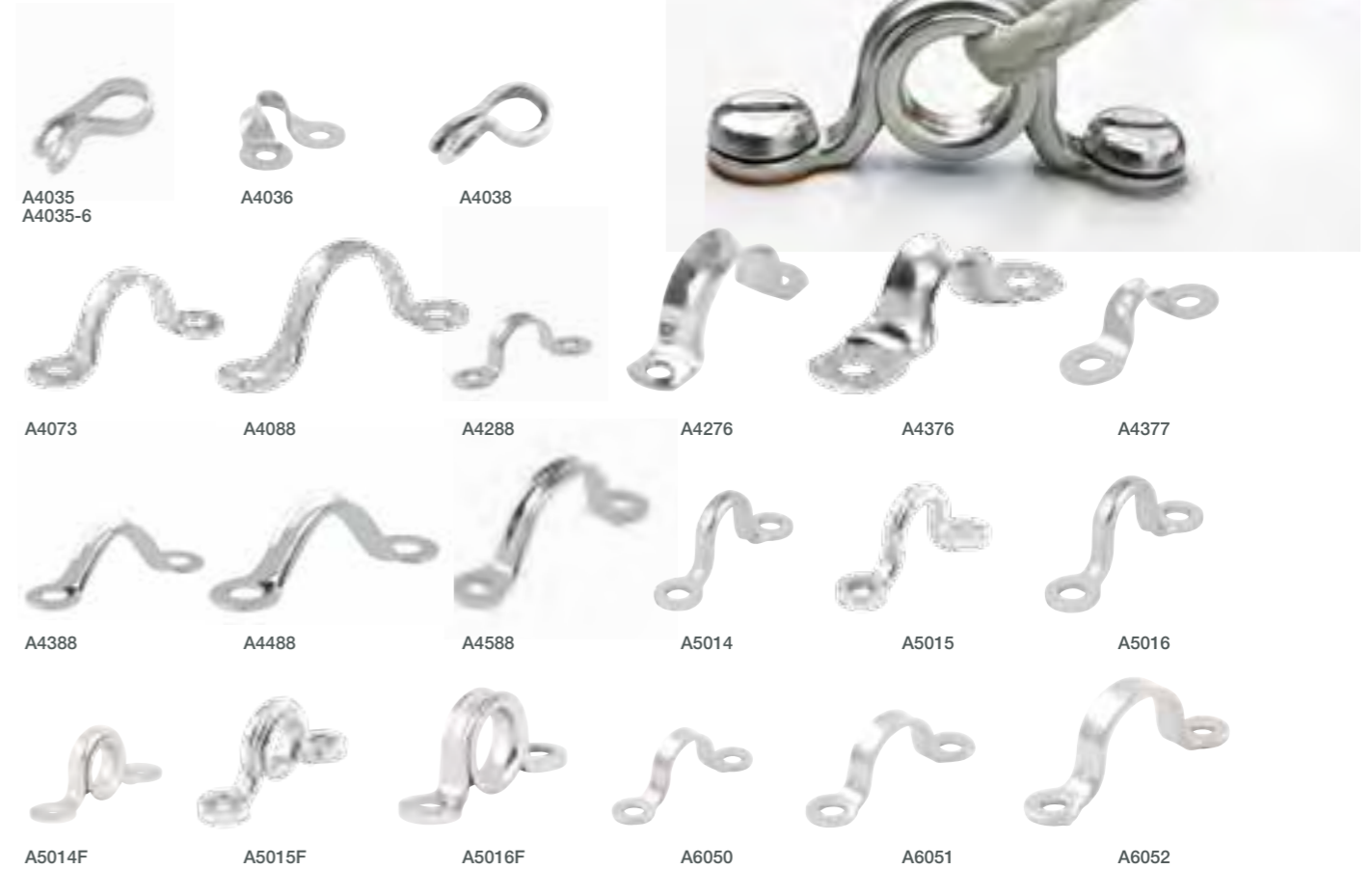


Part	Description	Inside Dia mm	Fixing Hole Size mm	Dist. Between Fixing mm	Weight g
A...3	Aluminium anchor plate	12	5	34 x 16	19
A.253	Nylon anchor plate	6	3	18 x 13	4
A4003	SS anchor plate	9	5	27 x 16	24
A4003H	Split SS anchor plate	5	5	27 x 16	24
A4003M	Radiused SS anchor plate	5	5	27 x 16	24
A4003MS	Radiused SS anchor plate (slotted hole)	10 x 5	5	27 x 16	24
A4673	Looped anchor plate SS	9.7	6.5	38.5 x 16.5	23

SS =Stainless Steel

Stainless Steel Lacing Eyes & Eye Straps

Pressed and forged stainless steel lacing eyes and eye straps.



Part	Description	Height mm	Fixing Hole Size mm	Hole Centres mm	Weight g
A4035	Looped SS lacing eye ('P' clip)	15	5	-	5
A4035-6	Looped SS lacing eye ('P' clip)	15	5	-	6
A4036	Offset lacing eye	11	5	15	4
A4038	Small looped SS lacing eye ('P' clip)	6	3	-	1.7
A4073	Pressed SS lacing eye	12	5	34	4
A4088	Small pressed SS lacing eye	16	5	41	5
A4276	Wide pressed SS lacing eye	20	5	40	7
A4288	Small pressed SS lacing eye	8	3	22	1
A4376	Small wide pressed SS lacing eye	8	5	40	7
A4377	Wide pressed lacing eye	12	5	28	3
A4388	Small pressed SS V style lacing eye	8	4	27	1.5
A4488	Large pressed SS V style lacing eye	14	6	39	4
A4588	Large pressed SS lacing eye	32	6	53	12
A5014	Small forged SS eye strap	14	4	27	3.2
A5015	Forged SS eye strap	18	5	33	6.4
A5016	Forged SS eye strap	22	6	40	12
A5014F	Small forged SS eye strap with ferrule	8	4	27	3.6
A5015F	Forged SS eye strap with ferrule	10	5	33	8.2
A5016F	Forged SS eye strap with ferrule	14	6	40	15
A6050	SS lacing eye strap	12	4.2	28	0.3
A6051	34mm lacing eye	14	5	34	0.5
A6052	44mm lacing eye	19	5.3	44	1

Deck bushes

Acetal through deck bushes with or without stainless steel liner. New for 2016 machined aluminium anodised in a range of colours.



Part	Description	Inside Dia. mm	Outside Dia. mm	Fixing Hole Size mm	Dist. Between Fixing mm	Weight g
A..39	Through deck bush with flange 9mm deep	9	19	3	28	3
A.139	Through deck bush with flange 9mm deep	20	33	3	44	7
A.239	Through deck bush with flange 9mm deep	12	22	3	31	4
A.339	Through deck bush with flange 9mm deep	15	25	3	36	5
A4039	Through deck bush s/s lined with flange 9mm deep	6	19	3	28	5
A4139	Through deck bush s/s lined with flange 9mm deep	20	33	3	28	12
A4239	Through deck bush s/s lined with flange 9mm deep	11	22	3	31	9
A4339	Through deck bush s/s lined with flange 9mm deep	13	25	3	36	12
A.439	Through deck bush 8mm deep	8	13	-	-	0.5
A.439-14	Through deck bush 14mm deep	8	13	-	-	0.6
A.539	Through deck bush 8mm deep	13	16	-	-	0.7
A.539-14	Through deck bush 14mm deep	13	16	-	-	0.8
A4439	Through deck bush s/s lined 8mm deep	6	13	-	-	3
A4439-14	Through deck bush s/s lined 14mm deep	6	13	-	-	3.5
A4539	Through deck bush s/s lined 8mm deep	13	16	-	-	4
A4539-14	Through deck bush s/s lined 14mm deep	13	16	-	-	5.7
A.439A-B	Through deck bush aluminium - blue 8mm deep	8	13	-	-	3
A.439ABLK	Through deck bush aluminium - black 8mm deep	8	13	-	-	3
A.439A-G	Through deck bush aluminium - gold 8mm deep	8	13	-	-	3
A.439A-O	Through deck bush aluminium - orange 8mm deep	8	13	-	-	3
A.439A-P	Through deck bush aluminium - purple 8mm deep	8	13	-	-	3
A.439A-S	Through deck bush aluminium - silver 8mm deep	8	13	-	-	3
A..40	Stainless steel fairlead 18mm deep	12 x 38	-	-	13	7
A..40-12	Stainless steel rope protectors 12mm deep	12 x 38	-	-	-	7

Fairleads

Suitable for dinghies and keelboats.



Part	Description	Inside Dia. mm	Fixing Hole Size mm	Dist. Between Fixing mm	Weight g
A..52	Bullseye fairlead 7mm ID	7	3	15	3
A.452	Bullseye fairlead 11mm ID	11	3	18	4
A.152	Bullseye fairlead 14mm ID	14	4	25	8
A.252	Bullseye fairlead 19mm ID	19	5	34	28
A4052	Bullseye fairlead with s/s liner 6mm ID	6	3	15	4
A4452	Bullseye fairlead with s/s liner 10mm ID	10	3	18	6
A4152	Bullseye fairlead with s/s liner 13mm ID	13	4	25	12
A4252	Bullseye fairlead with s/s liner 21mm ID	21	5	34	32
A.182	Open base fairlead	7	4	23	6
A.282	Open base fairlead	9	4	23	6
A.282A	Aluminium fairlead	9	4	23	13
A.382	Open base fairlead	12	4	25	9
A4182	Open base fairlead with s/s liner 5mm ID	5	4	23	5
A4282	Open base fairlead with s/s liner 6mm ID	6	4	23	8
A4382	Open base fairlead with s/s liner 10mm ID	10	4	25	11
A.153	Low profile fairlead	7	3	20	3
A4153	Low profile fairlead with s/s liner	6	3	20	4
A.134	Acetal fairlead (Laser bow)	-	5	5	30
A5052-16	Keelboat fairlead	-	-	-	-
A5053-8	Sheet deflector	-	-	-	-
A5054-8	Keelboat jib sheet anti-ride bar	-	-	-	-
A5054	Keelboat jib sheet anti-ride bar	-	-	-	-
A5054-8	Keelboat jib sheet anti-ride bar	-	-	-	-

Self Bailer

Allen's original bailer A4155 is the lightest self bailer on the market and has excellent low speed performance. Allen's high performance self bailer A4555 gains advantage from it's delta design that increases flow while reducing drag and turbulence. Each are supplied with fitting instructions and fixings.



A4155

A4155KIT

A4555

A4555KIT

Part	Description	Cut Out mm	Fixing Hole Size g	Weight g
A4155	Self bailer with s/s guard	42 x 62	3	81
A4155KIT	Spares for bailer A4155	-	-	-
A4555	Advanced 'delta' self bailer	Template supplied	3	182
A4555KIT	Spares for bailer A4555	-	-	-

Drain Sockets & Bungs

Drain socket only, drain socket with bung attached, drain socket with captive screw, rubber bung.



A.123

A.223



RS Racing, RS 800



A.323

A.323W

A.423

A52802

A1231

A1232

Part	Description	Fixing Hole Size mm	Dist Between Fixing Holes mm	Outside Hole Dia. mm	Inside Hole Dia. mm	Weight g
52802	Plastic bung	-	-	-	-	4
A.123	Drain socket	3	28	19	17	3
A.223	Drain socket with captive bung	3	30 x 30 x 30	26	-	7
A.323	Drain socket with captive screw	3	38	24	-	11
A.323W	White drain socket with captive screw	3	38	24	-	11
A.423	Screw bung with socket	4	36	22	17	22
A1231	Rubber bung	-	-	-	23	15
A1232	Rubber bung to fit A.123	-	-	-	15	8

RUDDERSTOCKS & ACCESSORIES



PHOTO: Alan Hanna

Ovington Boats, 29er.

Tiller Extensions - Carbon

Choosing a tiller extension is a fairly personal decision, not only for the class of boat you are sailing but for your own technique, whether hiking or trapezing and whether sailing an asymmetric or symmetric class. For the ultimate in extensions the Carbon range in standard and telescopic forms are light and responsive, providing accurate feedback.

Tiller Extensions - Carbon Telescopic

Combining a proven Carbon/Kevlar composite these two materials are directly interwoven in a twill pattern to create the ultimate tube that is both strong and lightweight (main tube OD 26mm, Inner tube 19mm).

Tiller Extensions

High grade aluminium tiller extensions with foam grips. Available in 7 lengths and 4 colors, Red, Blue, Black or Silver anodising, for the majority of the range, with the inclusion of Orange and Purple for the smallest size (the A4898)



Tiller Extension Universal Joints

Universal joint for use with tiller extension



A5506
A5507
A5512
A5514
A5519
A5521
A5525

A5530
A5535
A5540

A4898
A4298TOP
A4298
A4498
A4498TOP
A4698
A4798

A.454

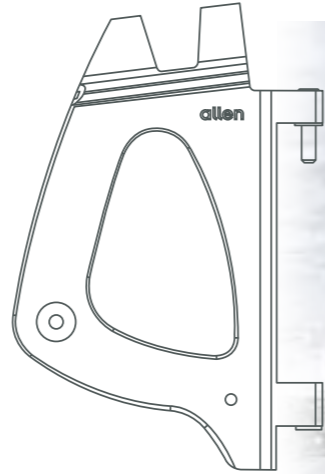
Full range is not shown, please ask our sales team for more information.

Part	Description		Length mm	Length ft	Weight g	
A5506	Carbon fibre, soft grip, universal joint		609	2'	96	
A5507	Carbon fibre, soft grip, universal joint		710	2'3	103	
A5512	Carbon fibre, soft grip, universal joint		1200	4'	147	
A5514	Carbon fibre, soft grip, universal joint		1400	4'10	164	
A5519	Carbon fibre, soft grip, universal joint		1900	6'3	206	
A5521	Carbon fibre, soft grip, universal joint		2100	6'9	226	
A5525	Carbon fibre, soft grip, universal joint		2500	8'3	269	
Part	Description	Suitable for	Length mm	Length ft	Weight g	
A5530	Long telescopic carbon tiller extension	-	1100 - 1800	-	-	
A5535	Short telescopic carbon tiller extension	-	800 - 1200	-	-	
A5540	Telescopic carbon tiller extension for cats	F18	1475 - 3000	-	-	
Part	Description	Suitable for	Length mm	Length ft	Weight g	
A.454	Extension tiller retaining clip	All	-	-	4	
A4898	2' Extension tiller	Optimist, Cadet	609	2'	124	
A4298TOP	2'3 Extension tiller	Topper	685	2'3	177	
A4298	2'6 Extension tiller	Laser 3000	762	2'6	147	
A4498	3' Extension tiller	470,420, Enterprise, GP14, Pico	915	3'	170	
A4698	3'6 Extension tiller	Laser, RS400, Finn	1067	3'6	195	
A4798	6'6 Extension tiller	RS B14, RS600, Int.14, Contender	1975	6'6	347	
Part	Description		Hole Size mm	Bolt Length mm	Suit Tiller ext. mm	Weight g
A4092	Universal joint bolt fixing		4	32	17 (max O/D)	41
A4098	Universal joint base plate fixing		4	-	17 (max O/D)	41
A5098	Tiller flexi-joint oval version		5	-	13 (min I/D)	22
A5196	Saddle to go under A5198		5	-	25mm O/D	6
A5197	Saddle to go under A5198		5	-	32mm O/D	5
A5198	Pro tiller joint square		5	-	13 (min I/D)	22

Rudder Stocks

Allen Brothers produce cast rudder stocks from high grade LM5. Our skilled foundry use sand cores to produce the stocks from steel tool moulds designed and produced in-house. Allen has developed its unique high performance rudderstock design from years of experience in the small boat market.

The design is based on innovative interlocking precision-machined components, and does away with the chunky pintle and gudgeon brackets that are typically found on pressed aluminium stocks. Instead they are integrated into the main section to give you a clean, cutting-edge look, but it also delivers a 25% weight reduction in comparison to the traditional design. The final assembly is very stiff and robust, making the tiller far more responsive.



Hadron Dinghies, Hadron H2

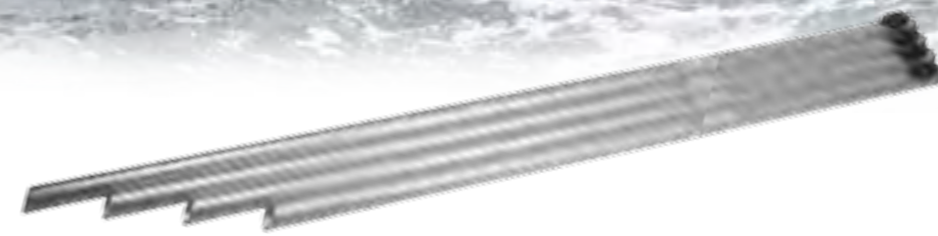


A.881-STOCK

A.980

A2968

AB.670



A7002-1.0 - A7002-1.3



AB.970

A7000

Part	Description
A.881-STOCK	Bespoke 49er Rudder Stock Assembly for Ovington
A.980	Firefly Rudder Stock Assembly
A2968	Bespoke 29er Rudder Stock Assembly for Ovington
AB.670	Bespoke 420 Rudder Stock Assembly for Nautivela
AB.970	Bespoke Rudder Stock Assembly for RS Venture
A7000	Rudder stock
A7002-1.0	1 metre Tiller for use with A7000
A7002-1.3	1.3 metre Tiller for use with A7000
AB1139	Bespoke rudder stock for Devoti D-Zero
AB1175	Bespoke rudder stock for Hadron

Rudder Retaining Equipment

Acetal resin and stainless steel rudder retaining equipment holds rudder in place as part of the steering gear. For associated transom gudgeons and pintels and associated rudder gudgeons and pintels go to page 50-51.



A..21

A..21S

A221

A1923

A4121

A4229-8
A4229-6

A5229

Part	Description	Fixing Hole Size mm	Overall Width mm	Weight g
A..21	Acetal Retaining Clip	4	53	2.5
A..21S	Stainless Steel Retaining Clip	4	53	-
A.221	Optimist Rudder Retaining Clip	4	51	2.5
A1923	Stainless Steel Retaining Clip with Endcap	5	78	9
A4121	Stainless Steel Retaining Clip	5	78	9
A4229-6	Rudder Stock Wing Nut	6	57	21
A4229-8	Rudder Stock Wing Nut	8	57	20
A5229	Wing Nut & Bolt Retainer Plastic	8	65	19

Rudder Pintles & Gudgeons

Stainless steel gudgeons and pintles of varying sizes for fixing to the rudder as part of the steering gear.



Transom Plates, Pintles & Gudgeons

Stainless steel and nylon plates, pintles and gudgeons for fixing to the transom as part of the steering gear.



Part	Description	Fixing Size mm	Width mm	Hole/Pin Dia mm	Pin Length mm	Length mm	Dist. Stock to Pin mm	Weight g
A4017-23	Rudder Pintle	4	23	7.8	40	89	18	88
A4017-35	Rudder Pintle	4	35	7.8	40	89	18	101
A4017-42	Rudder Pintle	4	42	7.8	40	89	18	101
A4017-45	Rudder Pintle	4	45	7.8	40	89	18	101
A4017-51	Rudder Pintle	4	51	7.8	40	89	18	101
A4017-54	Rudder Pintle	4	54	7.8	40	89	18	101
A4017C-38	Rudder Pintle	4	38	7.8	40	89	18	101
A4018-23	Rudder gudgeon	4	23	8	-	135	18	87
A4018-35	Rudder gudgeon	4	35	8	-	145	18	105
A4018-42	Rudder gudgeon	4	42	8	-	145	18	105
A4018-45	Rudder gudgeon	4	45	8	-	140	18	105
A4018-51	Rudder gudgeon	4	51	8	-	140	18	105
A4018-54	Rudder gudgeon	4	54	8	-	140	18	105
A4018C-38	Rudder gudgeon	4	38	8	-	92	18	83
A4106	Rudder gudgeon	4	38	8	-	120	18	126
A4318	Rudder gudgeon	4	43	8	-	123	18	123
A4117L	Rudder pintle	4	11	7.8	47	70	18	57
A4117S	Rudder Pintle	4	11	7.8	35	70	18	57
A4417L	Optimist rudder pintle (long pin)	4	12	6	35	78	10	44
A4417S	Optimist rudder pintle (short pin)	4	12	6	19	78	10	40
Part	Description	Fixing Hole mm	Overall Width mm	Hole or Pin Dia. mm	Strap Length mm	Transom to pin centre mm	Weight g	
A.420	Transom gudgeon	5	131	8.1	30	39	42	
A.519	Transom pintle	5	70	7.8	-	19	89	
A.520	Transom gudgeon	5	70	8	-	19	28	
A4019	Transom pintle	4	80	7.8	57	18	67	
A4019S	Transom pintle	4	76	7.8	57	17	112	
A4020	Transom gudgeon	5	70	8	-	18	22	
A4020S	Transom gudgeon	5	76	8	-	17	41	
A4120	Transom gudgeon	5	76	8	-	18	17	
A4317	Transom pintle	4	32	7.8	37	18	40	
A4420	Optimist transom gudgeon	4	44	6.3	-	-	24	
A7001	One piece pintle/gudgeon fitting use with A7000	5	69	7.59	-	18	100	

SAILMAKERS HARDWARE





Batten Hardware

High grade Nylon batten protectors.



Part	Description	Width Max mm	Thickness Max mm	Length Overall mm	Width Overall mm	Thickness mm	Weight g
A..51	Batten pocket protector SS screws	27	5	46	20	10	7
A.102	Stainless steel batten connector for A.419S	-	-	66	18	-	47
A.151	Batten pocket protector brass screws	34	4	47	10	9	3
A.251	Batten pocket protector brass screws	60	7	85	15	13	13
A.351	Batten pocket protector brass screws	40	5	64	30	10	11
A.419L	Batten pocket protector - long	53	10	91	78	32	142
A.419S	Baton pocket protector - short	42	6	70	63	25	80
A.451	Batten pocket protector brass screws	25	6	43	34	16	13
A.651	Batten end cap	14.5	6	33	28	10	20
A.751	Batten end cap	-	-	-	-	-	-
A.851	Batten pocket protector with SS screws	23	5	64	35	10	15
A.101	Batten compression adjuster	-	-	71	-	-	8

Jib Hanks

Nylon Jib Twist on Hank (patented)



A.144
A.244

A.344

Luff & Cunningham Blocks



A.478

A.886

Sail Headboards

Sailmakers Nylon headboards for spinnaker and mainsail



A.343

A.543

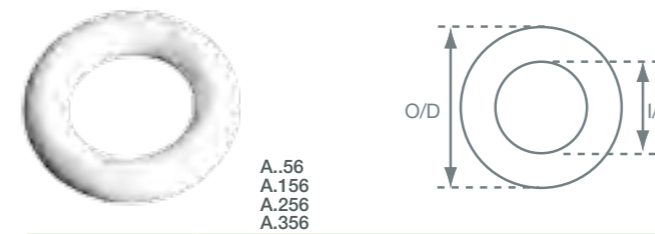
A.575

A.643

A.743

Sail Ring

High grade Nylon sail rings



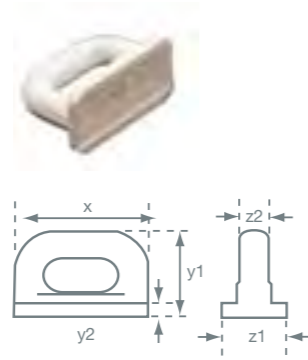
A..56
A.156
A.256
A.356

Part	Description	Forestay mm	Max Luff Wire mm	Weight g		
A.144	Small Jib Hank (patent no: 881696)	4	5	2.66		
A.144B	Small Jib Hank - black (patent no: 881696)	4	5	2.66		
A.244	Large Jib Hank (patent no: 881696)	5	6	3.75		
A.344	Jib hank (small)	4	5	2.66		
Part	Description	Forestay mm	Max Luff Wire mm	Weight g		
A.478	Nylon cunningham block w acetal sheave	-	-	19		
A.886	Snap-on nylon luff block	-	-	5		
Part	Description	X mm	Y mm	Thickness mm	Hole Dia mm	Weight g
A.343	Spinnaker	111	96	2.3	9	18
A.543	Mainsail	102	114	2.3	15	14
A.575	Mainsail	119	139	3.8	20	32
A.643	Mainsail	127	155	3	16	25
A.743	Spinnaker	100	31	2.2	15	4
Part	Description	I/D mm	O/D mm	Max Load mm	Weight g	
A..56	13mm nylon sail ring	13	22	50	0.3	
A.156	18mm nylon sail ring	18	32	90	2.5	
A.256	22mm nylon sail ring	22	37.5	130	4.5	
A.356	28mm nylon sail ring	28	46.5	200	8	

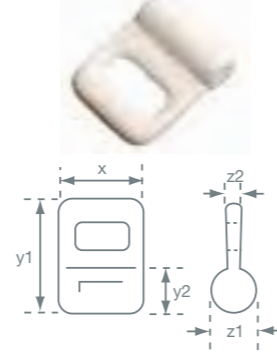
Sail Track Slides & Slugs

Nylon sail slides and slugs are designed to be stitched or lashed to the luff or foot of mainsails, Allen make sail slugs and slides to suit a wide variety of tracks. Sail slugs are designed to go inside a track and sail slides are designed to wrap around the outside of a track.

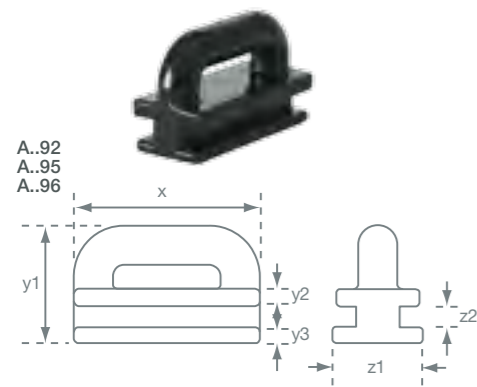
A..89
A..90
A..91



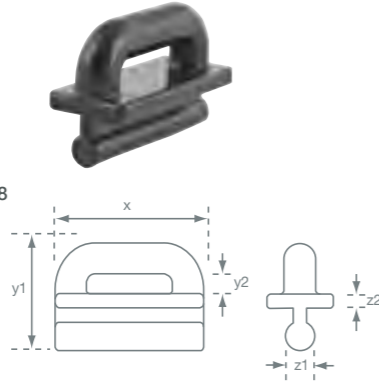
A.158
A.258
A.358



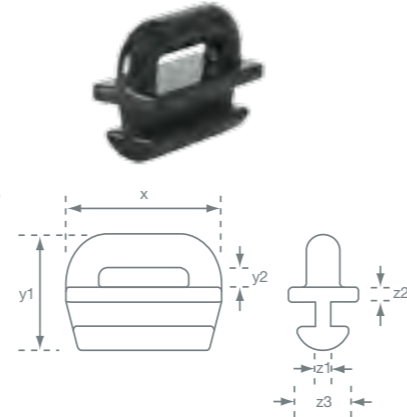
A..92
A..95
A..96



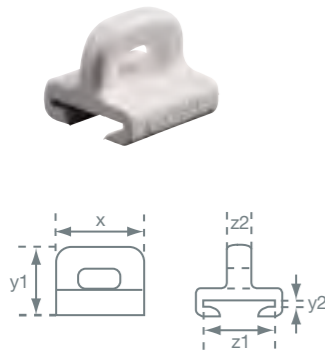
A.758
A.958
A.1058



A1158



A.289
A.389



A.658



A.458
A.558
A.558DW



Part	Description	x mm	y1 mm	z1 mm	z2 mm	y2 mm	Weight g
A..89	Internal sail slide	32	21	15	7	4	4
A..90	Internal sail slide	35	23	18	9	4	5
A..91	Internal sail slide	39	25	21	8	5	8
A.158	Sail slug	22	29	8	3	9	2
A.258	Sail slug	50	40	14	3	11	5
A.358	Sail slug	22	30	12	3	12	3
A.758	Sail slug	45	35.15	11.60	5.75	4.23	14
A.958	Sail slug	45	32.45	8.90	5.75	4.23	12
A1058	Sail slug	45	30.75	7.3	5.75	4.23	10
A1158	Sail slug	45	33.55	4.40	5.75	4.23	14
A.289	External sail slide	23	20	18	6	2	4
A.389	External sail slide	28	20	23	6	3	5
A.458	Internal sail slide	30	29	13.8	3	4	5
A.558	Internal sail slide	25	22	10.5	4	3	2
A.558DW	Internal sail slide	41	21	10	5	3	-
A.658	Internal sail slide	39	34	17	3.8	4.2	10

Sail Shackles

High grade Nylon sail shackles - screw fixing and snap fixing.



A.249



A.349
A.449
A.549



A.649



A.749
A.849



A1049

Part	Description	Width mm	Length mm	Opening mm	Weight g
A.249	Slide hank (inc. screws)	52	21	-	4
A.349	Shackle	13.5	26	4	0.5
A.449	Shackle	24	45	7	3.5
A.549	Shackle	28	53	6	6
A.649	Ring 37 mm ID	46	60	5	8
A.749	Shackle	18	36	9	3
A.849	Shackle	19	39	9	4
A1049	Sail shackle	62.15	5.5	15	-

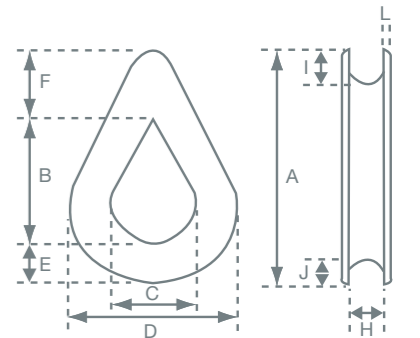
Thimbles

High quality nylon and 316 stainless steel thimbles for wire and rope for halyards and general rigging from 2mm to 18mm.

A.802
A.803
A.804
A.805
A.806
A.808
A.810
A.812
A.814
A.818



A6010
A6011
A6012
A6013
A6014



Part	Description	A mm	B mm	C mm	D mm	E mm	F mm	H mm	J mm	L mm
A.802	Nylon thimble for 2mm rope	12	7.3	4.9	8.8	1.9	2.9	2.1	1.1	0.4
A.803	Nylon thimble for 3mm rope	18	10.9	7.3	15.1	2.8	4.3	3.1	1.7	0.6
A.804	Nylon thimble for 4mm rope	24	14.5	9.8	17.5	3.8	5.8	4.2	2.3	0.8
A.805	Nylon thimble for 5mm rope	30	18.1	12.1	21.9	4.7	7.2	5.0	2.8	0.9
A.806	Nylon thimble for 6mm rope	36	21.8	14.6	26.3	5.6	8.6	6.1	3.4	1.1
A.808	Nylon thimble for 8mm rope	48	29.0	19.5	35.0	7.5	11.5	8.0	4.5	1.5
A.810	Nylon thimble for 10mm rope	60	36.3	24.4	43.8	9.4	14.4	10.0	5.6	1.9
A.812	Nylon thimble for 12mm rope	72	43.5	29.3	52.5	11.3	17.3	11.2	6.8	2.3
A.814	Nylon thimble for 14mm rope	84	50.8	34.1	61.3	13.1	20.1	13.4	7.9	2.6
A.818	Nylon thimble for 18mm rope	108	65.3	43.9	78.8	16.9	25.9	17.2	10.1	3.4
A6010	Stainless steel thimble for 2mm wire rope	-	17	9	-	-	-	3	-	1.0
A6011	Stainless steel thimble for 3mm wire rope	-	18	10	-	-	-	4	-	1.0
A6012	Stainless steel thimble for 4mm wire rope	-	20	11	-	-	-	5	-	1.2
A6013	Stainless steel thimble for 5mm wire rope	-	21	13	-	-	-	6	-	1.2
A6014	Stainless steel thimble for 6mm wire rope	-	27	15	-	-	-	7	-	1.5

Stay & Vernier Adjusters

Compact and lightweight, made from high quality stainless steel, Allen's vernier adjusters are the only choice when fine-tune rig adjustments are required.

The A4772DR-KIT heavy-duty vernier adjuster with captive de-raker. Made from heavy-duty 14 gauge 316 stainless steel, it easily handles higher loads and with the aid of calibrated settings, fast pins and captive de-raker, the result is easy fine-tuning on the water. It is also available in a compact version (A4772SDR-KIT) where there is limited requirement for rake change between light and heavy airs.



A4472 A4572 A4772 A4772DR-KIT A4772HT



A4772S A4772S-6 A4772SDR-KIT A4872 A4972

Part	Description	Pin Dia. mm	Adjustment Range mm	Increments mm	Internal Width mm	Weight g
A4024	Channel stay adjuster	5	87	9	13	59
A4172	Stay adjuster	5	52	9	8	46
A4272	Vernier Adjuster	5	64	3	9	41
A4372	Stay Adjuster	5	60	9	8	23
A4472	Stay adjuster	5	69	9	8	39
A4572	Stay adjuster	6	76	13	10	86
A4772	Heavy duty with 5mm pin	5	84	4	9.5	-
A4772DR-KIT	Heavy duty vernier deraker kit	5	84+43dr	4	9.5	78
A4772HT	High tension vernier adjuster	6	80	5	10	64
A4772S	Short heavy duty with 5mm pin	5	32	4	9.5	-
A4772S-6	Short heavy duty with 6mm pin	6	32	4	10.5	-
A4772SDR-KIT	Short heavy duty with 5mm pin and de-raker pin	5	32 + 43dr	4	9.5	40
A4872	Stay adjuster	6	76	13	9	100
A4972	Open vernier adjuster	5	64	4	8	38

Fast Pins & Reaching Hooks

Stainless steel fast pin with ring for rigging stay adjustment, and stainless steel reaching hooks for use with Allen anchor plates (see Deck Hardware)



A5105L
A5105S
A5106L
A5106S A5005
A5006

Part	Description	Dia. mm	Useable length mm	Overall Length mm	Suitable For	Weight g
A5005	Fast pin	5	12.5	26.5	A4272	6.3
A5006	Fast pin	6	15	29	A4772HT	8.4
A5105L	Reaching hook	5	13	16	A4272	12
A5105S	Reaching hook	5	9	12	A4772	11
A5106L	Reaching hook	6	16	29	A4772S-6/ A4772HT	12.5
A5106S	Reaching hook	6	12	25	A4772HT	12

Clevis Pins & Split Rings

AFCP518
AFCP521
AFCP518
AFCP525
AFCP59
AFCP621



AFPP266
AFPP266B
AFPP266C F630L



Part	Description	Dia. mm	Length mm
AFCP518	Clevis pin	5	18
AFCP521	Clevis pin	5	21
AFCP525	Clevis pin	5	25
AFCP59	Clevis pin	5	9
AFCP621	Clevis pin	6	21
AFPP266	Split ring		
AFPP266B	Split ring		
AFPP266C	Split ring		
F630L	Drop nose pin	5	23

SPARS & RIGGING

Mast Ram

Aluminium lever suitable for various dinghy classes.



A4592E

A4592



Dynamic Rig Adjustment

These new systems have been developed using Allen Brothers wealth of experience with a number of craft in mind and can be customized to each boat with great ease. Examples of applications include the Fireball horizontal mast strut, the 505 vertical mast strut and Graduate GNAV system. In all cases we provide a complete kit.



A3210

A3211

A3212

Part	Description	Tube Length mm	Track Length mm
A4592	Mast Ram	250	-
A4592E	Mast ram end fittings	-	-
A3210	Vertical Mast Ram	700	250
A3211	Horizontal Mast Ram	700	500
A3212	GNAV System	700	300

Furling Gear & Swivels

Roller furling gear for Jibs and headsails.



A4102

A4202

A4222

A4904

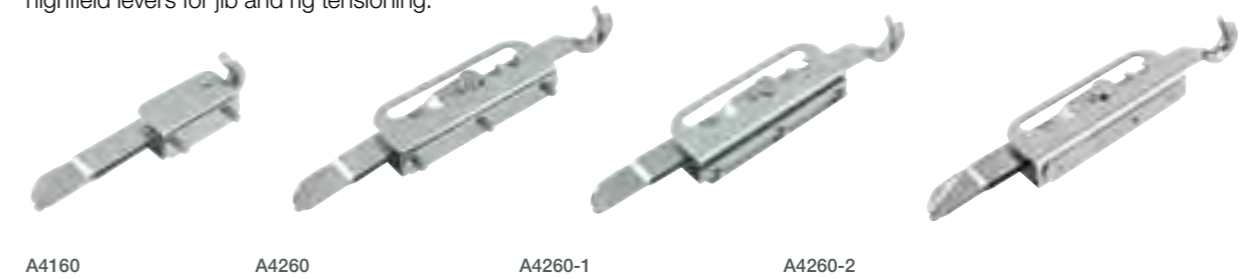
A4422

A4904LZ

A4905 and A4302*

Highfield Levers

Ratchet and non ratchet stainless steel highfield levers for jib and rig tensioning.



A4160

A4260

A4260-1

A4260-2

Part	Description	Fixing Hole Size mm	Pin Dia mm	Fork Width mm	Hole Centres mm	Length mm	Height mm	Weight gm	S.W.L Kg.
A4102	Stainless steel swivel connector	-	5	12 / 9	-	49	-	23	200
A4222	Stainless steel universal swivel base	4	4	-	-	-	30	28	300
A4302	High load top furler	5	-	-	-	-	-	41	-
A4422	Stainless steel swivel base	4	4	-	-	-	30	9	300
A4904	Furling unit	-	5	-	-	-	73.2	212	400
A4904LZ	Intergal bow barfurling unit	5	5	11	-	235	225	65	330
A4905	High load drum furler	-	5	-	-	-	-	-	-

Part	Description	Throw mm	Adjustment mm	Backing Plate Size mm	No. of Adjustments	Weight g
A4160	Single (fits track A..26)	70	-	16 x 2	1	100
A4260	Ratchet 3 fixings flat backing plate	75	63	16 x 2	6	193
A4260-1	Ratchet 3 fixings clipped backing plate	75	-	12 x 5	6	111
A4260-2	Ratchet 4 fixings flat backing plate	75	-	13 x 2	6	102

*Please note A4905 and A4302 are available as complete kits.

Goosenecks

Fixed and Sliding Goosenecks



A..14R
A..14S

A4009K
A4009-10

A4009C
A4009LZ
A4009LZ-10

A4114-1
A4114-2
A4114-3

A.120

Boom Slides

316 stainless steel slider with loop and screw.



A4258

Mirror Dinghy Mast Fittings

Special Stainless steel gooseneck and spinnaker crane for Mirror dinghy spars



A4184

A4314

A4314R

Part	Description	Pin Dia mm	Fixing Hole Size mm	Mast Dia mm	Groove Width mm	Backing Plate Width mm	Backing Plate Thickness mm	Weight g
A..14R	Alloy gooseneck with round pin	12	5	-	-	-	-	66
A..14S	Alloy gooseneck with square pin	12	5	-	-	-	-	66
A4514	Heavy duty gooseneck with S/S bracket	12	5	-	-	-	-	132
A4009C	S/S gooseneck with radiused strap	12	4	50 - 55	-	-	-	78
A4009LZ	S/S gooseneck with radiused strap	12	4	55	-	-	-	78
A4009LZ-10	S/S gooseneck with radiused strap	10	4	55	-	-	-	78
A4009K	S/S gooseneck with vee strap	12	4	50	-	-	-	78
A4009K-10	S/S gooseneck with vee strap	10	4	50	-	-	-	78
A4114-1	Aluminium Sliding Gooseneck	12	-	-	7	11	10	101
A4114-2	Aluminium Sliding Gooseneck	12	-	-	9	16	4	94
A4114-3	Aluminium Sliding Gooseneck	12	-	-	8	16	6	104
A.120	Spare Gooseneck nut	-	-	-	-	-	-	5

Part	Description	Length mm	Width mm	Thickness mm	Loop ID mm	Loop OD mm	Weight g
A4258	Adjustable stainless steel boom slide	64	16	2	15	25	61

Part	Description	Fixing Hole Size mm	Mast Dia mm	Boom Size mm	Sheave Width mm	Weight g
A4184	Spinnaker crane	4	33	-	18	49
A4314	Gooseneck	4 - 5	50 - 70	20+	-	84
A4314R	Gooseneck	4 - 5	50 - 70	43	-	88

Sheave Boxes

Allen sheave boxes are available with either plain or ball bearings, a choice of sheave material, Acetal resin, pressure die cast high grade aluminium or high load stainless steel. They are suitable for all types of halyard systems, control line systems and general running rigging.

The low profile range feature Allen's unique hook-in cage designed to deal with high loads of modern rigs. The A4808 high tension sheave block features a twist open facility for better access when changing halyards etc.



Part	Description	Sheave Width mm	Sheave Dia mm	Slot Size mm	Weight mm	Hole Centres mm	Hole Size mm
A...6	Plain bearing Acetal Resin sheave	8	38	52 x 15	34	65	4
A...6B	Stainless steel ball bearing and sheave	8	38	52 x 15	79	65	4
A...6H	Plain bearing alloy sheave	8	38	52 x 15	48	65	4
A...9	Plain bearing Acetal Resin sheave	8	26	44 x 13	21	57	4
A...9B	Stainless steel ball bearing and sheave	8	25	44 x 13	38	57	4
A...9H	Plain bearing alloy sheave	8	25	44 x 13	31	57	4
A4409	High Tension plain bearing alloy sheave	12	38	77 x 19	98	90	6
A4708	High Tension ball bearing stainless steel sheave	8	25	37 x 12	43	-	4
A...8	Nylon sheave box (nylon sheave)	12	38	70 x 22	41	80	4
A...8A	Nylon sheave box (alloy sheave)	12	38	70 x 22	65	80	4
A..15	Low profile plain bearing Acetal Resin sheave	6	25	38 x 10	12	-	4
A..15B	Low profile S/S ball bearing and sheave	6	25	38 x 10	24	-	4
A..16	Low profile plain bearing Acetal Resin sheave	6	38	58	36	-	5
A..16B	Low profile S/S ball bearing and sheave	6	38	58	68	-	5
A...28	Plain bearing alloy sheave box	12	38	70 x 22	87	87	6
A...4	Plain bearing sheave box	8	26	43 x 17	26	65	4
A...5	Plain bearing sheave box	6	36	50 x 14	33	70	4
A...7	Plain bearing double sheave box	8	26	42 x 27	48	65	4
A..94	Plastic mast head sheave box to fit mast 20mm ID	6	36	-	40	-	-
SA..94	Adaptor for A..94 to fit mast 32mm ID	-	-	-	40	-	-
SA..94	Adaptor for A..94 to fit mast 32mm ID	-	-	-	40	-	-

Spreader Hardware

Spreader accessories for fine tuning spreader length and spreader angle to the mast.

Also spreader section and spreader end caps.



A.625 A.791SA A4527
A4547C A4791



Mast Gates & Step



A4107 A4107S A4124

Mast Tangs

316 Stainless Steel.



A4041 A4141 A4241

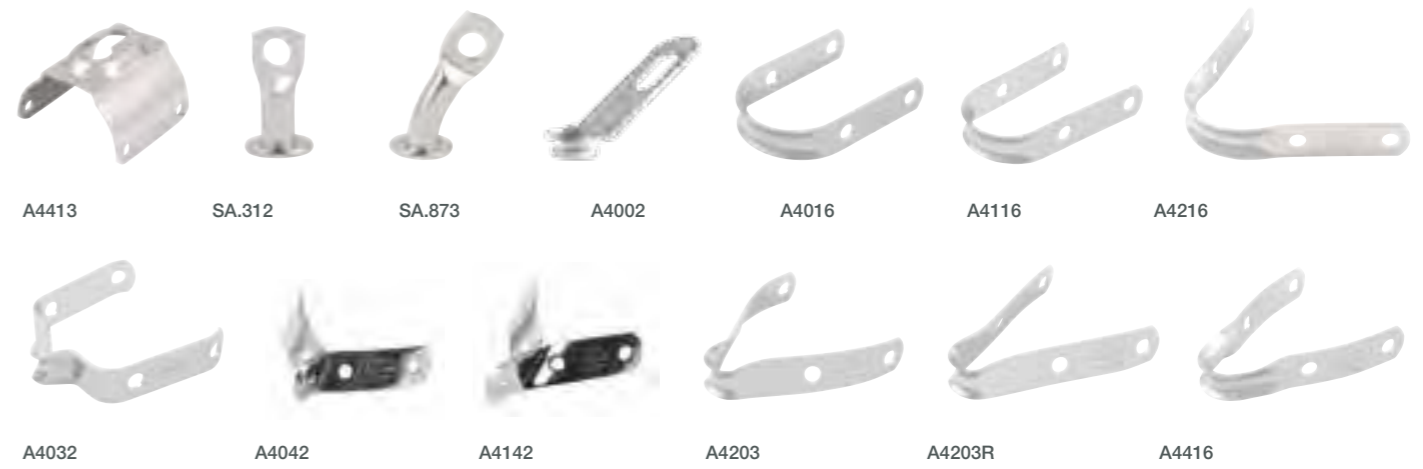
Part	Description
A.625	Spreader end caps (to fit A.791)
A.791SA	Aerofoil section inc. end caps lengths 460 mm
A4527	Stainless Steel spreader bracket /alloy barrels
A4547C	Spreader Root
A4791	Spreader angle adjuster

Part	Description	Line Size mm	Width mm	Thickness mm	Hole Centres mm	Slot /Tenon mm	Weight g
A4107	Mast gate bar	138	22	2	114	-	45
A4107S	Mast gate bar	112	22	2	89	-	37
A4124	Adjustable mast step	150	23	2	129	19	94

Part	Description	Line Size mm	Width mm	Fixing Hole Size mm	Fixing Hole Centres mm
A4041	Mast tang	77	16	5	11
A4141	Mast tang	104	22	5 - 6	19 - 26
A4241	Mast tang	52	16	5	-

Mast & Boom Straps

Stainless steel mast and boom straps for different makes kicking strap brackets.



A4413 SA.312 SA.873 A4002 A4016 A4116 A4216
A4032 A4042 A4142 A4203 A4203R A4416

Halyard Lock & Hook Racks

Cast aluminium, hard anodised hook racks for mast and stainless steel halyard lock.



A.245 A.345 A4233 A42345 A4283 A4383 A4385 A4592E

Part	Description	Fixing Hole Size mm	Spar Size mm	Strap Thickness mm	Weight g
A4413	Kicking strap bracket	5	50 - 80	1.5	38
SA.312	Kicking strap key	5.5	-	-	6
SA.873	Kicking strap key curved	5.5	-	-	7
A4002	Kicking strap key	5.5	8 mm pin / 13 mm knob	1.5	14
A4016	Boom strap	5	38	1.5	15
A4116	Boom strap	5	32	1.5	16
A4216	Boom strap	5	Forms to any shape	1.5	15
A4032	Gaff band	5	44 x 44	1.5	16
A4042	Mast tang	5	50-80	1.5	22
A4142	Mast tang (long)	5	50 - 80	1.5	22
A4203	Mast anchor plate	5	50 - 80	1.5	15
A4203R	Mast anchor plate	5	50 - 80	1.5	16
A4416	Bail bracket	5	45	1.5	16

Part	Description	Hole Size mm	Increments mm	No. of Adjustments	Length mm	Max Wire Dia. mm	Weight g
A.245	Hook rack	4	12.5	10	126	5	31
A.345	Hook rack	4	12.5	5	85	5	15
A4233	Muscle Box	-	-	-	-	-	-
A4245	Halyard lock	5	-	-	58	2-3	9
A4283	T-Terminal backing plate	4	-	-	44	2.5	-
A4383	Halyard exit plate	-	-	-	180	18	-
A4385	Halyard Exit Plate	-	-	-	116	12	-
A4592E	Mast strut end fitting spares	-	-	-	-	-	-

Rigging Screws

316 Stainless steel rigging screws.



A6110
A6112
A6114
A6116



A6132
A6134
A6136
A6138
A6140

Wire Stud Terminal

316 stainless steel threaded swaged stud for wire rigging.



A6152
A6153
A6154
A6155
A6156
A6157

Eye Bolt

Stainless steel eye screw with bolt for rigging.



A6200
A6204
A6208
A6212

Wire Eye Terminal

316 Stainless steel eye terminals for wire rigging.



A6175
A6176
A6177
A6178

Wire Fork Terminal

316 Stainless steel fork terminal for wire rigging.



A6166
A6167
A6168
A6169
A6170

Wire 'T' Terminal

316 Stainless steel 'T' terminal for wire



A6185
A6186
A6187
A6188

A4283



Part	Description - Rigging Screws	Thread	Max Length mm	Min Length mm	Body Length mm	Internal Width mm	Pin Dia mm	Breaking Load kg	Weight g
A6110	Fork / Fork rigging screw	M5	180	126	80	8	5	800	51
A6112	Fork / Fork rigging screw	M6	200	138	92	8	5	1250	90
A6114	Fork / Fork rigging screw	M8	234	158	112	10	6	1300	140
A6116	Fork / Fork rigging screw	M10	272	188	120	11	8	2600	240
A6132	Fork / Stud rigging screw 2.5mm wire	M5	206	152	80	8	5	800	45
A6134	Fork / Stud rigging screw 3mm wire	M6	232	170	92	8	6	1250	85
A6136	Fork / Stud rigging screw 4mm wire	M6	242	180	92	8	5	1250	87
A6138	Fork / Stud rigging screw 4mm wire	M8	275	199	112	19	6	1300	130
A6140	Fork / Stud rigging screw 5mm wire	M8	281	205	112	10	6	1300	132

Part	Description - Wire Stud Terminal	G Metre	Length mm	Body Length mm	Screw Length mm	Body Diameter mm	NV	Weight g
A6152	M5 (r/h) threaded swaged stud 2.5mm wire	M5	87	32	42	5.5	4.5	1.5
A6153	M5 (l/h) threaded swaged stud 2.5mm wire	M5	100	38	48	6.35	4.5	1.5
A6154	M6 (r/h) threaded swaged stud 3mm wire	M6	100	38	48	6.35	5	2
A6155	M6 (l/h) threaded swaged stud 3mm wire	3	100	38	48	6.35	5	2
A6156	M6 (r/h) threaded swaged stud 4mm wire	Mt	100	45	48	7.5	6	2.4
A6157	M6 (l/h) threaded swaged stud 4mm wire	M6	110	45	48	7.5	6	2.4

Part	Description - Wire Eye Bolt	G Meter	Overall Length mm	Length from hole centre	Screw Length mm	Head Diameter mm	Thread Length mm	Break Load kg	Weight g
A6200	Eye Bolt M6 x 30mm	M6	57	46	30	13	30	1360	1.8
A6204	Eye Bolt M6 x 60mm	M6	87	76	60	13	60	1360	2.6
A6208	Eye Bolt M8 x 35mm	M8	66	53	35	15	35	2390	3.8
A6212	Eye Bolt M8 x 80mm	M8	110	98	80	15	75	2390	5.5

Part	Description - Wire Eye Terminal	Internal Body Dia	External Body Dia	Eye Diameter	Length from eye centre	Body Length mm	Thickness of Head	Weight g
A6175	Eye Terminal for 2mm wire	2.2	5.5	5.5	49	32	3	0.9
A6176	Eye Terminal for 2.5mm wire	2.8	5.5	5.5	49	32	3	0.8
A6177	Eye Terminal for 3mm wire	3.5	6.35	6.5	55	38	4	1.3
A6178	Eye Terminal for 4mm wire	4.4	7.5	8.5	67	45	5	2.3

Part	Description - Wire Fork Terminal	Internal Body Dia	External Body Dia	Pin Dia mm	Length from pin centre	Body Length mm	Fork Width mm	Weight g
A6166	Fork Terminal for 2.5mm wire	2.8	5.5	5	58	32	7	2
A6167	Fork Terminal for 3mm wire	3.5	6.35	5	65	38	7	2.3
A6168	Fork Terminal for 3mm wire	3.5	6.35	6	66	38	9	2.8
A6169	Fork Terminal for 4mm wire	4.4	7.5	5	71	45	7	2.7
A6170	Fork Terminal for 4mm wire	4.4	7.5	6	73	45	9	3.4

Part	Description	Overall Length	Internal Length	Internal Diameter	External Diameter	Weight g
A6185	'T' Terminal for 2 mm wire	80	32	2.2	5.5	1.5
A6186	'T' Terminal for 2.5mm wire	80	32	2.7	5.5	1.5
A6187	'T' Terminal for 3mm wire	80	39	3.3	6.35	2
A6188	'T' Terminal for 4mm wire	100	45	4.2	7.5	4

Part	Description	Hole Size mm	Increments mm	No. of Adjust	Length mm	Max Wire Dia mm	Weight g
A4283	'T' terminal backing plate	4	-	-	44	3	7

Mast & Tube Fittings

Nylon end plugs, caps and heels for masts and booms.



A.360 A.363 A.464 A.466 A.472

Mast Deck Chocks

This mast chock set starter pack is suitable for use with all keel stepped dinghies such as 420, 505, Fireball. It includes the following sizes of chock:-
5 x 1mm, 1 x 5mm, 2 x 10mm, 1 x 20mm



A.473

Mast Base Organiser (pair)



A4950

Part	Description - Mast & Tube Fittings	Tube ID mm	Tube OD mm	Tenon Size mm	Weight g
A.360	End plug	22	25	-	7
A.363	End plug	29	32	-	10
A.464	End cap	41	45	-	14
A.466	Nylon mast heel	47	50	29 x 29	25
A.472	End cap	43	46	-	15
Part	Description - Mast Deck Chocks				
A.473	Mast Deck Chocks				
Part	Description - Mast Base Organiser				
A4950	Mast base organiser (pair)				



Spinnaker Pole & Accessories

Allen spinnaker pole mast brackets are available in 316 Stainless Steel or Acetal resin, designed to suit Allen spinnaker and jib pole end fittings.

Allen spinnaker pole tube is anodised and comes in pre-cut 4m lengths.

Nylon spinnaker pole end spikes and hooks, piston triggered spinnaker pole ends are made from tough composite reinforced nylon with 316 stainless steel hardware.

Allen's spinnaker pole ends are designed to suit Allen spinnaker pole mast brackets.

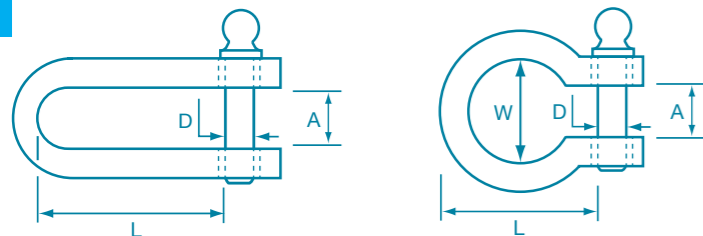


A..31 A..54 A.131 A.132
A.154 A.232 A4232 A4332



A4331 A4431 A.257 A.357 A.602 RTC201.1 RTC261.8

Part	Description	Fixing Hole Size mm	Spar Dia. Approx mm	Eye ID mm	Eye Dia. mm	Length mm	Max Rope Size mm	Weight g
A..31	Spinnaker pole snap hook	-	25	22	-	-	9.1	8
A..54	Jib stick spike	-	25	22	-	-	7.9	12
A.131	External spinnaker pole snap hook	-	14 - 25	-	-	3	11.7	61
A.132	Spinnaker Pole Mast Bracket Acetal single eye	3	35	12	7	-	-	8
A.154	External jib stick spike	-	14 - 25	-	-	3	10.6	18
A.232	Spinnaker Pole Mast Bracket Acetal twin eye	3	50	12	7	-	-	12
A4232	Spinnaker Pole Mast Bracket 316 SS twin eye	4	50 - 70	16	6	-	-	61
A4331	Piston triggered spinnaker pole end	38	38	34	12	-	140	-
A4332	Spinnaker Pole Mast Bracket 316 SS single eye	4	50	17	6	-	-	37
A4431	Piston triggered spinnaker pole end	25	25	22	8	-	48	-
A.257	Spinnaker Pole cleat	-	14 - 38	-	-	-	6	18
A.357	Spinnaker Pole ramp	-	14 - 38	-	-	-	6	16
A.602	Spinnaker Pole tubing 25mm O/D	-	25	-	-	4	-	-
RTC201.1	Spinnaker Pole tubing 25mm O/D	-	25	-	-	4	-	-
RTC261.8	Spinnaker Pole tubing 25mm O/D	-	25	-	-	4	-	-



Forged Shackles

A range of forged stainless steel shackles, forged for the highest strength to size.



A5404S A5405N A5405S A5406S

Pressed Shackle

A range of stainless pressed shackles. Designed specifically for dinghies and sportsboats. They combine strength with practicality, designed and produced in-house.



A4228 A4328 A4728 A4828 A4348



A4528 A4028 A4048 A1438 A4128 A4138 A4148 A4428

Round Body Shackle

Round body bow shackle with forged pin



A-621104
A-621105
A-621106
A-621108
A-621110
A-622104
A-622105
A-622106
A-622108
A-623104
A-623105
A-623106
A-623108
A-623110
A-624105
A-624106
A-624108
A-624110

Strip Shackle

A range of 316 stainless steel strip shackles designed for strength and practicality.



A6020
A6021
A6022
A6023
A6024
A6035
A6036
A6037
A6038
A6039
A6040
A6045
A6046
A6047
A6048
A6060
A6061
A6062
A6065
A6066
A6067
A6068
A6069
A6075
A6076
A6077
A6078

Part	Description - Forged Shackle	L mm	A mm	D mm	Break Load g	
A5404S	Dee shackle with slotted 4mm pin	15	8	4	780	
A5405N	Narrow shackle with 5mm slotted pin	19	6	5	1250	
A5405S	Dee shackle with slotted 5mm pin	18	11	5	1250	
A5406S	Dee shackle with slotted 6.4mm pin	24	13	6	2500	
Part	Description - Pressed Shackle	A mm	L mm	D mm	Break Load g	Weight g
A4228	Large pressed rigging link	29	8	5	1000	20
A4328	Narrow pressed rigging link	21	13	5	1000	9
A4728	Narrow pressed rigging link	10	10	3	250	3
A4828	Bayonet halyard shackle	25	13	5	1000	17
A4348	Pressed shackle - clevis pin & ring	14	13	5	1000	-
A4528	Narrow pressed rigging link	15	13	5	1000	7
A4028	Narrow pressed rigging link	16	9	5	1000	7
A4048	Pressed shackle	24	13	5	1000	10
A1438	Pressed shackle - clevis pin & ring	28	16	6	1000	19
A4128	Pressed rigging link - clevis pin & ring	18	7	5	750	7
A4138	Pressed rigging link - clevis pin & ring	31	13	5	1000	14
A4148	Pressed shackle	16	8	5	1000	7
A4428	Small pressed shackle	20	16	5	1000	10
Part	Description - Round Body Shackle	D mm	A mm	L mm	W mm	Break Load g
A-621104	Round body D shackle with forged pin	16	8	4	-	500
A-621105	Round body D shackle with forged pin	20	10	5	-	950
A-621106	Round body D shackle with forged pin	24	13	6	-	1500
A-621108	Round body D shackle with forged pin	32	6	8	-	2500
A-621110	Round body D shackle with forged pin	40	20	10	-	4100
A-622104	Round body bow shackle with forged pin	20	8	4	14	500
A-622105	Round body bow shackle with forged pin	25	10	5	17	950
A-622106	Round body bow shackle with forged pin	30	12	6	21	1500
A-622108	Round body bow shackle with forged pin	41	16	8	28	2500
A-623104	Round body long D shackle with forged pin	32	8	4	-	500
A-623105	Round body long D shackle with forged pin	40	10	5	-	950
A-623106	Round body long D shackle with forged pin	48	12	6	-	1500
A-623108	Round body long D shackle with forged pin	64	16	8	-	2500
A-623110	Round body long D shackle with forged pin	80	20	10	-	3000
A-624105	Round body twisted shackle with forged pin	24	8	5	-	500
A-624106	Round body twisted shackle with forged pin	30	10	5	-	950
A-624108	Round body twisted shackle with forged pin	36	12	6	-	1500
A-624110	Round body twisted shackle with forged pin	44	16	8	-	2500
Part	Description - Strip Shackle	D mm	A mm	L mm	Break Load g	
A6020	Strip D shackle with standard pin	15	10	4	500	
A6021	Strip D shackle with standard pin	20	11	4	600	
A6022	Strip D shackle with standard pin	17	12	5	1000	
A6023	Strip D shackle with standard pin	24	16	5	1000	
A6024	Strip D shackle with standard pin	36	16	5	1200	
A6035	Strip D shackle with slotted pin	15	10	4	500	
A6036	Strip D shackle with slotted pin	20	11	4	600	
A6037	Strip D shackle with slotted pin	17	12	5	1000	
A6038	Strip D shackle with slotted pin	24	16	5	1000	
A6039	Strip D shackle with slotted pin	36	16	5	1200	
A6040	Strip D shackle with slotted pin	25	12	5	1200	
A6045	Strip bow shackle with standard pin	23	14	6	2000	
A6046	Strip bow shackle with standard pin	31	17	8	3000	
A6047	Strip bow shackle with standard pin	40	21	10	5000	
A6048	Strip bow shackle with standard pin	50	25	12	7000	
A6060	Strip twisted shackle	22	12	5	1200	
A6061	Strip twisted shackle	33	12	5	1200	
A6062	Strip twisted shackle	36	14	6	2000	
A6065	Strip shackle with key pin	20	11	4	600	
A6066	Strip shackle with key pin	36	15	5	1200	
A6067	Strip shackle with key pin	26	13	5	1200	
A6068	Strip shackle with key pin	40	15	6	2000	
A6069	Strip shackle with key pin	25	14	6	2000	
A6075	Strip shackle with key pin and extra pin and ring	12	23	5	700	
A6076	Strip shackle with key pin and extra pin and ring	15	33	5	700	
A6077	Strip shackle with key pin and extra pin and ring	14	23	6	1500	
A6078	Strip shackle with key pin and extra pin and ring	20	38	8	2000	

SHACKLES

Mast Track

External aluminium track in various profiles for mainsails, supplied in either anodised or bare aluminium, for mainsail sliders or bolt rope luff groove.



A..26-1
A..26-2
A..26-3
A..26-4

A.526-1
A.526-2
A.526TA

A.626

A.656

A.824

A.924

Part.	Description	Length mm	Dist. between fixing mm	Fixing Size mm	Internal Width mm	End stop required mm	To suit slug/track
A..26-1	Alloy track (unanodised)	3.66	undrilled	-	16	A.136	A..89 and A..95
A..26-2	Alloy track	3.66	76	M5	16	A.136	A..89 and A..95
A..26-3	Alloy track	0.3	76	M5	16	A.136	A..89 and A..95
A..26-4	Alloy track	1.06	76	M5	16	A.136	A..89 and A..95
A.526-1	Alloy track (unanodised)	3.66	undrilled	-	19	A.738	A..90 and A..92
A.526-2	Alloy track	3.66	76	M5	19	A.738	A..90 and A..92
A.526TA	Alloy track	3.66	undrilled	-	19	A.738	A..90 and A..92
A.626	Luff groove track	5.4	undrilled	-	5	A.824	A.158 and A.958
A.656	Luff groove track	6	undrilled	M5	5	A.924	A.158 and A.958
A.824	Sailfeeder	15	10.5	A.626	-	-	
A.924	Sailfeeder	30	-	-	9.5	-	A.656

Track for Travellers

Hard anodised silver, extruded aluminium profiles to suit a versatile range of travellers and slides.



A.226-2
A.226-330
A.226-5

A.326-2
A.726-4
A.726-5

A.816-0.9
A.816-29er
A.816-3.0

A.819-0.9
A.819-3.0

A.826-2
A.826-3
A.826-5

A.826B-1.5
A.826B-3.0

Part.	Description	Length mm	Fixing Size mm	Internal Width mm	End stop required mm	To suit slug
A.226-2	Alloy track	3.66	76	M5	-	A.136
A.226-330	Alloy track	0.33	19 x 9.5	M5	-	A.136
A.226-5	Alloy track	0.565	73 x 37.5	M5	-	A.136
A.326-2	Alloy Track	3.66	M5	-	A.736	
A.726-4	Alloy Track	1.04	M5	-	A.736	
A.726-5	Alloy Track	0.377	M5	-	A.736	
A.816-0.9	14mm track anodised black	0.9	M4	-	-	
A.816-29er	14mm track anodised black for 29er jib	-	M4	-	-	
A.816-3.0	14mm track anodised black	3.0	M4	-	-	
A.819-0.9	19mm track anodised black	0.9	M5	-	-	
A.819-3.0	19mm track anodised black	3.0	M5	-	-	
A.826-2	Low profile track	3.66	M5	-	A.536	
A.826-3	Low profile track	3.66	M5	-	A.536	
A.826-5	Hard anodised track	0.9	M5	-	A.536	
A.826B-1.5	Beam track	1.5	M6	-	A.937/A.946	-
A.826B-3.0	Beam Track	3.0	M6	-	A.937/A.946	

Track End Stops

End stops for mast track and jib track



A.136

A.536

A.736

A.738

A.916

A.936

A.937

A.940

A.946

Part.	Description	To Suit Track
A.136	End stop	A.226
A.536	End Stop	A.826
A.736	End stop	A.726/A.326
A.738	End stop	A.526
A.916	End Stop	A.816 and A.819
A.936	End Stop	A.826
A.937	Pro-Lock Slug - M6 insert	A.826B (A4491)
A.940	End stop	A.826B
A.946	End Stop	A.819

Keelbands

Drilled and undrilled, anodised and un-anodised aluminium keelband in two lengths convexions.



A..30

A.302
A.303

A.402
A.403

Part.	Description	Length mm	Dist. between fixing mm	Fixing Size mm
A..30	Keelband Fairing	150	-	8/M4
A.302	Light weight alloy keelband	3.05	undrilled	-
A.303	Light weight alloy keelband	3.05	102	8/M4
A.402	Convex alloy keelband	3.3	undrilled	-
A.403	Convex alloy keelband	3.3	102	8/M4

TRACK & KEELBAND

Upgrades

A2030XHLRange

Flagship of the Allen range of blocks, the A2030XHL is a new high load 30mm block in CNC machined anodized aluminium. Available in a variety of colours and featuring a precision engineered stainless steel sheave, it was designed for exceptional performance in classes such as the International Moth where loads can crush the bearing surfaces of traditional blocks.



A.439A + A.539A Range

Following a request from a customer to produce a deck bush from aluminium in a specific colour, we were able to react and create a custom design to solve the problem. CNC machined from solid 6082 aluminium, PTFE coated and available in a range of colours, these additions add style and longevity to the range.



A..87 Range

The new expanded range of high load thimbles comes in a variety of colours and diameters, for use in applications such as rig tensioning, kicker and down-haul control, they offer safe working loads of between 300 – 1000 kilos



Race Packs



A8331



A8337



A8332



A8334



A8335



A8336

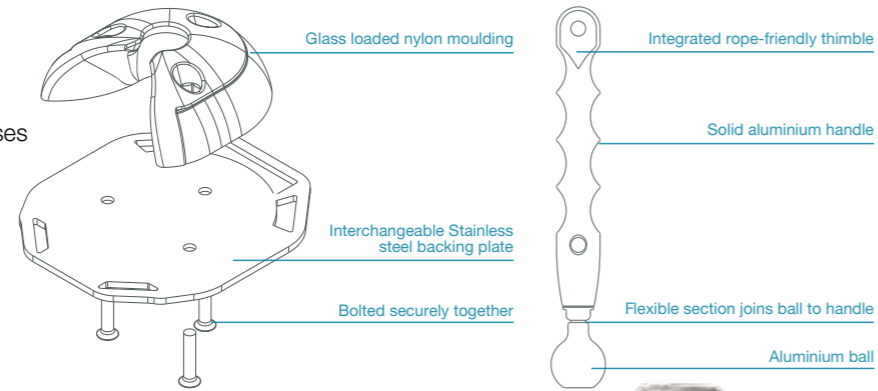
Part	Description
A8331	Dinghy kicker race pack
A8332	Dinghy downhaul/outhaul race pack
A8334	Topper championship kit (mainsheet)
A8335	Topper championship kit (downhaul)
A8336	Topper championship kit (outhaul)
A8337	Topper championship kit (kicking strap)

ACCESSORIES



Trapeze Equipment

Various accessories for trapeze wires and harnesses

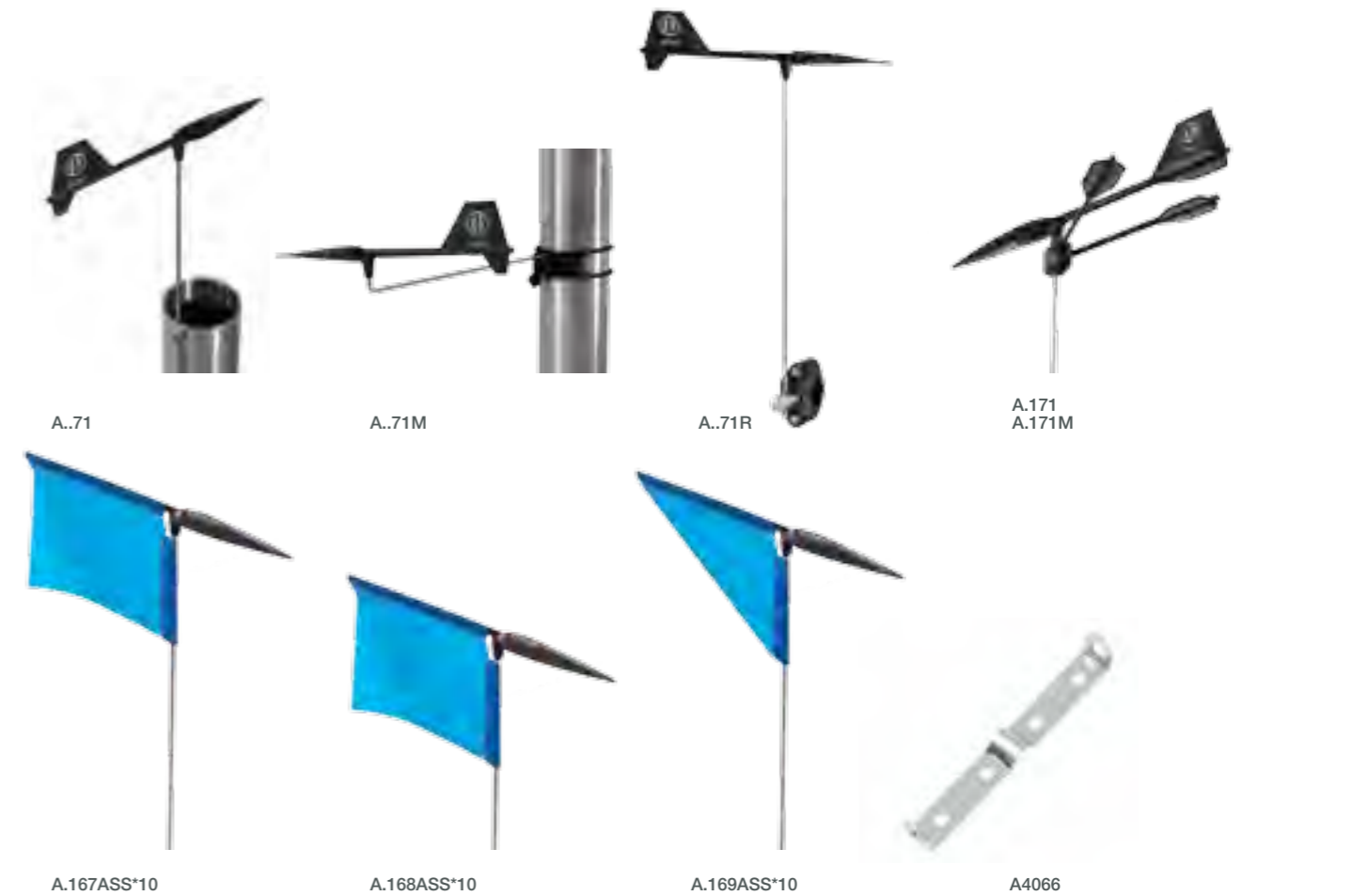


Part	Description - Trapeze equipment	Rope Size mm	Webbing Size mm	Length mm	Max Wire Size mm	Weight g
A..60	Nylon trapeze handle 'T' type	-	-	54	3	13
A..62	Trapeze disc handle	4	-	-	-	-
A4040	Trapeze harness buckle with strap adjusters	-	40	-	-	170
A4043	Keyball Trapeze System Handle (Pair)	-	-	160	-	141
A4043C	Keyball Trapeze System - moulding	-	-	-	-	73
A4043-KIT	Keyball Trapeze System - Complete with 2 handles	-	45/20	-	-	456
A4043N	Keyball Trapeze System - moulding with narrow b/p	-	45/20	-	-	305
A4043N-1	Keyball Trapeze System - moulding with square b/p	-	-	-	-	292
A4043W	Keyball Trapeze System - moulding with wide b/p	-	45/20	-	-	406
A4043W-1	Keyball Trapeze System - moulding with wire buckle	6	45	-	-	372
A4043W-KIT	Keyball Trapeze System - Complete with 2 handles	-	45/20	-	-	-
A4161LZ	Narrow trapeze ring with plain bearing block	6	-	125	-	54
A4261	Wide trapeze ring w 20mm b/b block and s/s ring	6	-	175	-	68
A4461	5mm Trapeze ring	6	-	-	-	64
A4461-6	6mm Trapeze ring	6	-	-	-	90
A6180	Stainless steel trapeze terminal with eye	1 - 3	-	-	-	-
C253	Clam Cleat Trapeze M6 All Silver	4 - 8	-	89	-	46
C253A	Clam Cleat Trapeze M6 Anodized	4 - 8	-	89	-	46

Burgees & Wind Indicators

Racing burgees and cruising flags in an assortment of rainbow colours.

Aerovane Wind Indicators - Light, responsive and balanced for accurate wind indication.



Part	Description - Trapeze equipment	Rod Length mm	Weight g
..71	Aerovane - Mast head mounted	270	10
A..71M	Aerovane - Lower mast mounted	270	11
A..71R	Rail mounted motorboat aerovane	270	15
A.167ASS*10	10 Racing burgees	410	30
A.168ASS*10	10 Racing burgees - short rod	270	26
A.169ASS*10	10 Cruising burgees	410	30
A.171	Large Aerovane	270	35
A.171m	Large Aerovane - mast mounted	270	37
A4066	Burgee clip for mast	-	9

Mast Deck Chocks

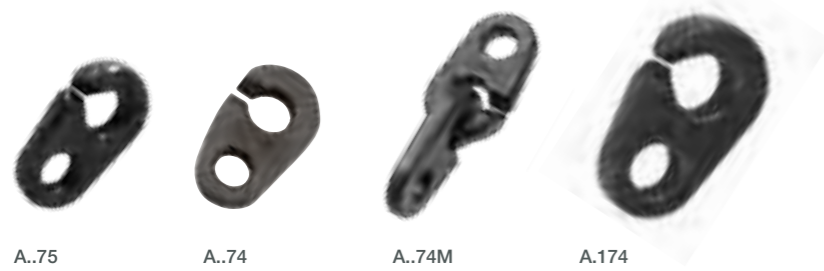
This mast chock set starter pack is suitable for use with all keel stepped dinghies such as 420, 505, Fireball. It includes the following sizes of chock:-
5 x 1mm, 1 x 5mm, 2 x 10mm, 1 x 20mm



Part	Description
A.473	Mast Deck Chocks

Inglefield Clips

Clips for fastening two lines or shock cords together for example on boat covers, spinnakers sheets and halyards, also used for flags and flags halyards.



A..75 A..74 A..74M A.174

Part	Description	Max Rope Size mm	Length mm	Thickness mm	Weight g
A..75	Small clip (flags)	5	26	7	2
A..74	Medium clip (spinnaker)	6	36	4	7
A..74M	Moulded Inglefield clip	6	36	4	1
A.174	Large clip (spinnaker)	10	50	10	19



Tidy Clips

Store your pole, or oars securely in these nylon spring clips.



A.754
A.754W
A.854
A.854W
A.254
A.254W
A.354
A.354W
A.554
A.554W
A.654

Part	Description	Tube Dia mm	Base Size mm	Overall Height mm	Fixing Hole Size mm	Dist Between Fixings mm	Weight g
A.754	Extra small black	19	19 x 14 x 4	25	3	-	0.5
A.754W	Extra small white spring clip	19	19 x 14 x 4	25	3	-	0.5
A.854	Small black spring clip	22	22 x 16 x 5	29	3	8	2.5
A.854W	Small white spring clip	22	22 x 16 x 5	29	3	8	2.5
A.254	Medium black spring clip	25	26 x 15 x 4	34	3	9	3
A.254W	Medium white spring clip	25	26 x 15 x 4	34	3	9	3
A.354	Large black spring clip	32	30 x 18 x 4	46	4	11	7
A.354W	Large white spring clip	32	30 x 18 x 4	46	4	11	7
A.554	Extra large black spring clip	38	35 x 19 x 4	55	4	12	10
A.554W	Extra large white spring clip	38	35 x 19 x 4	55	4	12	10
A.654	Jumbo spring clip	44	41 x 22 x 5	64	4	21	16

Hooks

Our range of different hooks made in nylon and stainless steel will suit a variety of different applications.



A..59 A.259 A.359 A.559 A.659 A4057



A4157 A4159 A4259 A4369 A4459 A4659



A4869 A4869K A4969 A731705
A731706
A731707
A731708
A731709
A7317010 A731705-E
A731706-E
A731707-E
A731708-E
A731709-E
A7317010-E

Part	Description	Max Rope Size mm	Length mm	Weight g
A..59	Nylon 'handy' hook	4	38	2
A.259	Nylon 'handy' hook	6	47	5
A.359	Nylon spring hook	8	53	5
A.559	Nylon 'handy' hook	8	62	11
A.659	Nylon spring hook	6	53	10
A4057	Small stainless steel outhall hook	-	90	33
A4157	Stainless steel spinnaker uphaul hook	4	54	9
A4159	Stainless steel 'S' hook	10	67	19
A4259	Stainless steel 'S' hook with keeper	10	67	20
A4369	Stainless steel hook with nylon retainer	6	60	16
A4459	Stainless steel welded 'S' hook with keeper	10	61	27
A4659	Stainless steel welded 'S' hook	10	61	27
A4869	Forged stainless steel hook	5	52	23
A4869K	Forged stainless steel hook with keeper	5	52	24.1
A4969	Forged stainless steel twisted hook	5	52	23
A731705	Carbine hook	8	50	-
A731705-E	Carbine hook with eye	7.5	50	-
A731706	Carbine hook	9	60	-
A731706-E	Carbine hook with eye	8	60	-
A731707	Carbine hook	10	70	-
A731707-E	Carbine hook with eye	9	70	-
A731708	Carbine hook	12	80	-
A731708-E	Carbine hook with eye	11	80	-
A731709	Carbine hook	13	90	-
A731709-E	Carbine hook with eye	12	90	-
A731710	Carbine hook	15	100	-
A731710-E	Carbine hook with eye	14	100	-

Ball Stoppers

Polypropylene ball stoppers in an assortment of colours - stops you loosing the end of your line!



A.271



A..22ASS
A..22
A..22W
A.222
A.222ASS
A.222W
A.122
A.122ASS
A.122W
A.322
A.322ASS
A.322W

Part	Description	Colour	Line Dia mm	Size mm
A..22ASS	Small assorted colour ball stopper	Assorted	Up to 4	13
A..22	Small grey ball stopper	Grey	Up to 4	13
A..22W	Small white ball stopper	White	Up to 4	13
A.222	Medium grey ball stopper	Grey	Up to 5	19
A.222ASS	Medium assorted colour ball stopper	Assorted	Up to 5	19
A.222W	Medium white ball stopper	White	Up to 5	19
A.122	Large grey ball stopper	Grey	Up to 7	25
A.122ASS	Large assorted colour ball stopper	Assorted	Up to 7	25
A.122W	Large white ball stopper	White	Up to 7	25
A.322	Extra large grey ball stopper	Grey	Up to 8	31
A.322ASS	Extra Large assorted colour ball stopper	Assorted	Up to 8	31
A.322W	Extra large white ball stopper	White	Up to 8	31
A.271	Black rope stopper	Black	Up to 5	17

Boat Hook



Part	Description	To Fit Tube I/D mm	To Fit Tube O/D mm	Weight g
A.361	Moulded boat hook end	22	25	17

Toe Strap Plates & Buckles

Fixing plates for toe straps and stainless steel buckles for straps



A..38

A..99G
A..99W

A.138
A.238

A.199

A4030

A4099

Part	Description	Fixing Hole size mm	Length mm	Width mm	Thickness mm	Dist. Between Fixing mm	Inside Length mm	Weight g
A..38	Lacing strap	5	58	16	5	43	26	4
A..99G	Toe strap plate: grey nylon	5	47	19	5	28	-	3.5
A..99W	Toe strap plate: White nylon	5	47	19	5	28	-	3.5
A.138	Lacing strap	5	66	16	5	51	35	5
A.199	Toe strap plate nylon	5	50	18	5.25	34	-	5
A.238	Lacing strap	5	74	16	5	58	48	7
A4030	Toe strap buckle: stainless steel	-	57	38	2	-	-	24
A4099	Toestrap plate: stainless steel	5	51	16	2	28	-	9.5

Nylon Rowlocks & Sockets

Rowlocks suit oars from 38mm to 45mm. Both side mount and centre mount rowlock sockets are available in black or white.



A.290
A.290W

A.390
A.390W

A.291

A.391
A.391W

A.391SC

A.392
A.392W

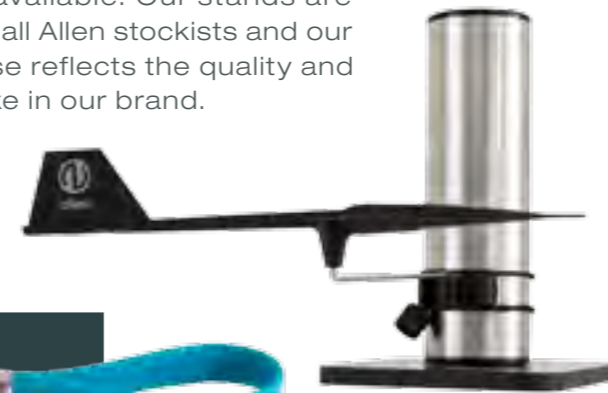
A.393

Part	Description	To Suit Oar Dia. mm	Fixing Hole Size mm	Rowlock Dia. mm	Hole Centres mm	Weight g
A.290	Small nylon rowlock	38	-	19	-	33
A.290W	Small white nylon rowlock	38	-	19	-	33
A.390	Large gooseneck nylon rowlock	45	-	19	-	40
A.390W	Large white gooseneck nylon rowlock	45	-	19	-	40
A.291W	Small nylon rowlock socket, use with A.290W	-	4	19	49	11
A.291	Small nylon rowlock socket, use with A.290	-	4	19	49	11
A.391	Nylon Rowlock socket	-	4	19	49	20
A.391W	White nylon rowlock socket	-	4	19	49	20
A.391SC	Open ended nylon rowlock socket, use A.390A	-	4	19	49	20
A.392	Side mount nylon rowlock socket	-	4	19	37 & 55	35
A.392W	White side mount nylon rowlock socket	-	4	19	37 & 55	35
A.393	Rowlock socket wedge for A.392	-	4	-	37 & 55	8



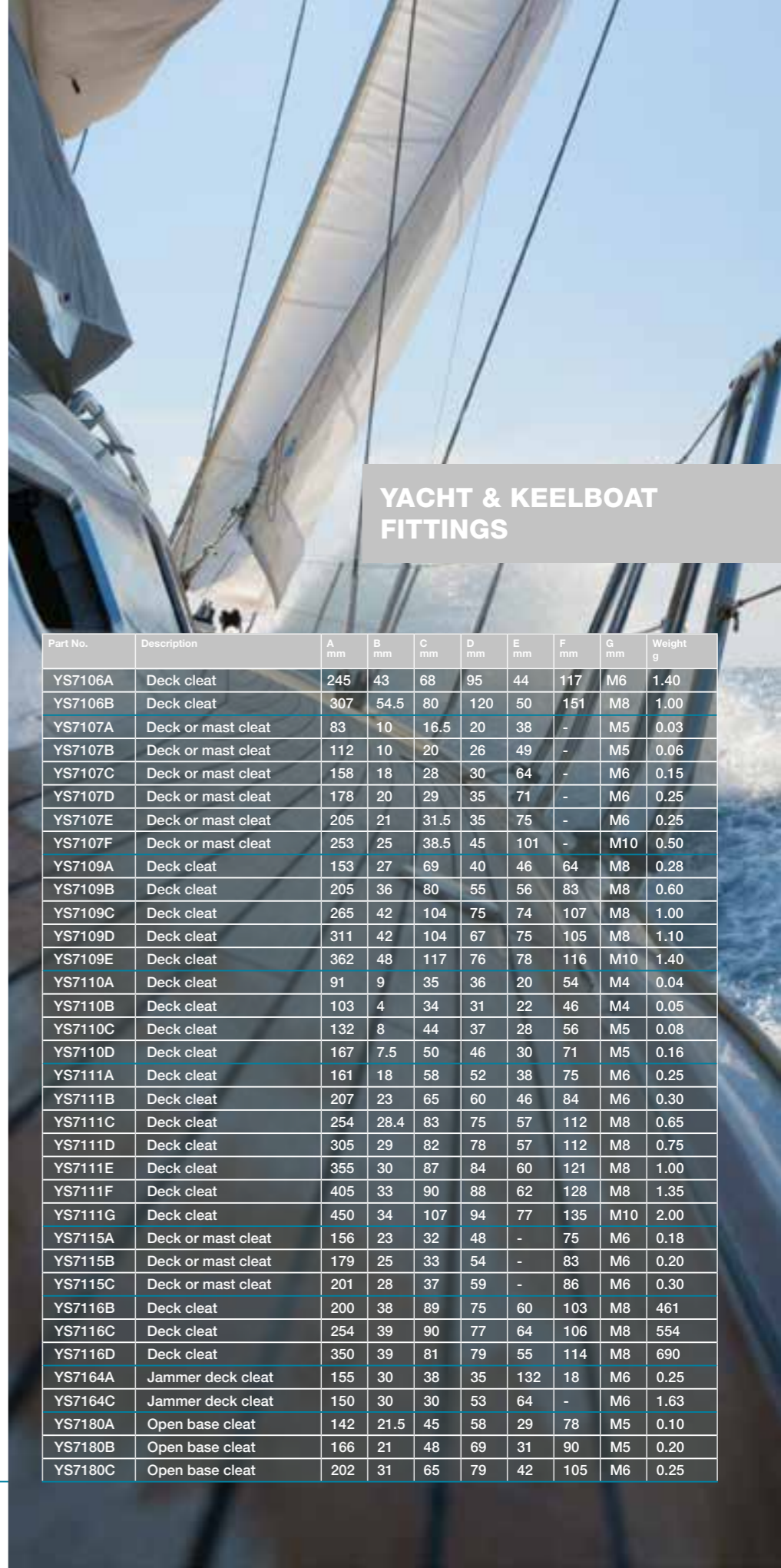
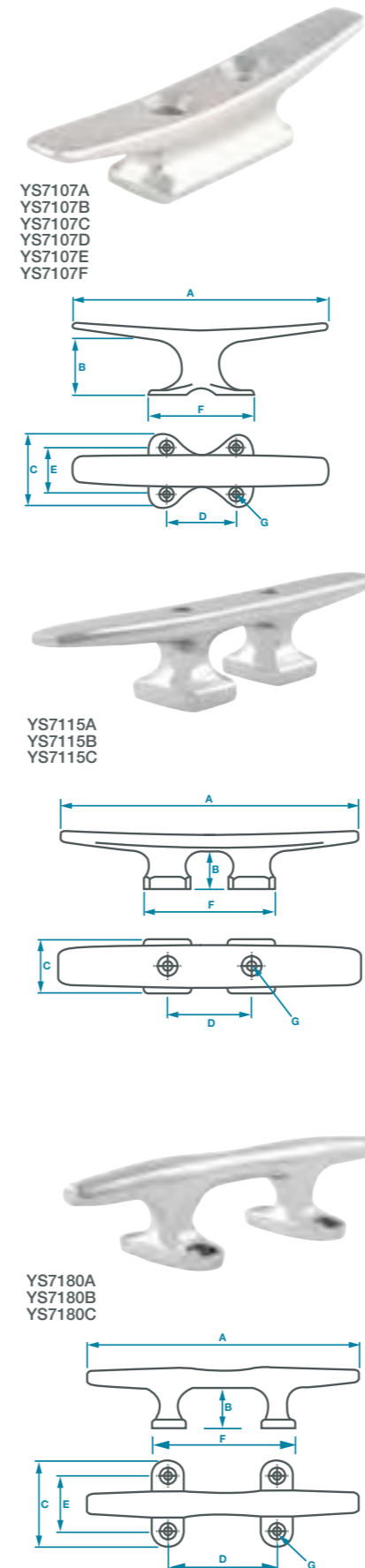
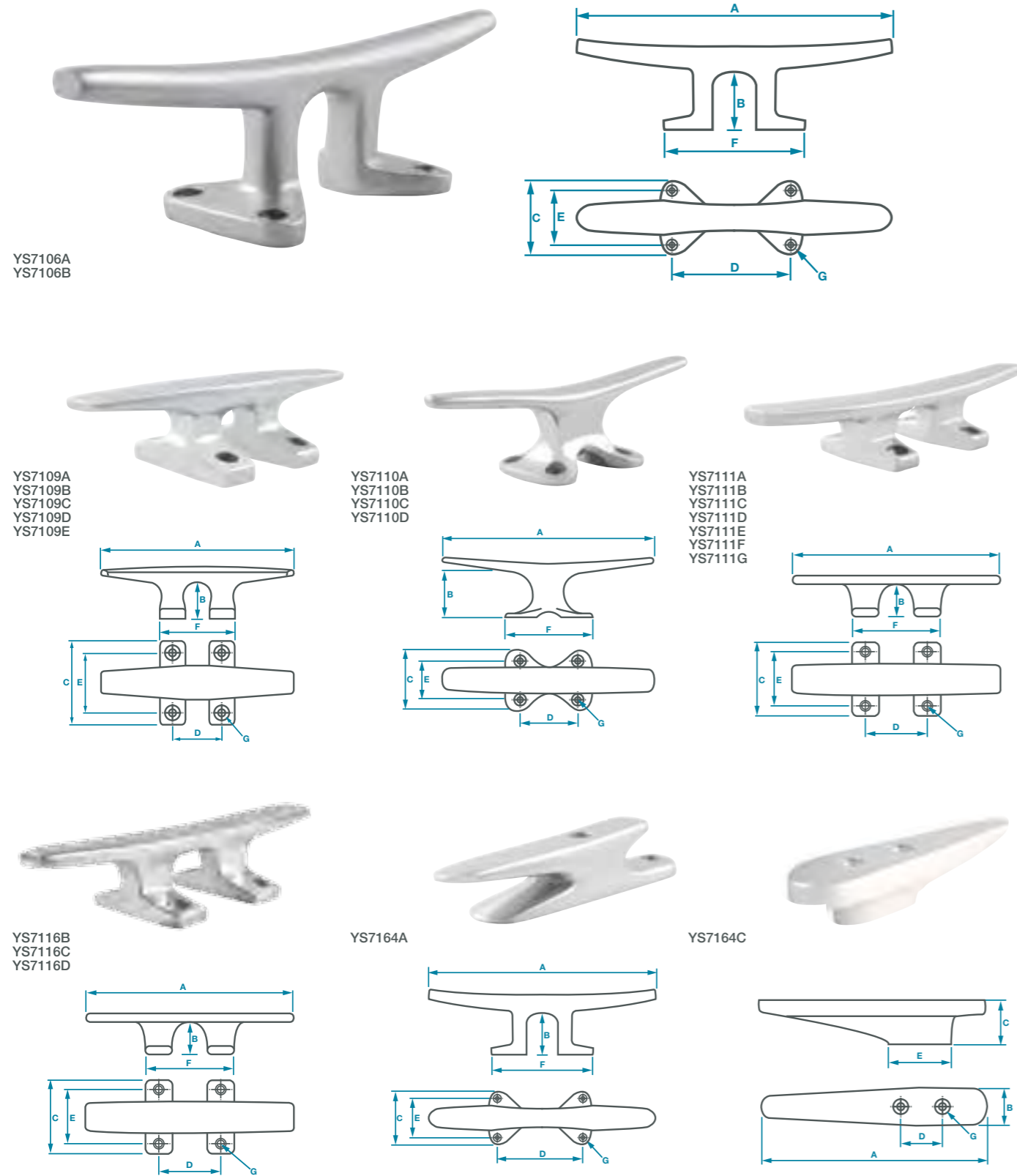
MERCHANDISING

We have a selection of straight forward and effective presentation systems for the retail stores to maximise the space available. Our stands are available to all Allen stockists and our merchandise reflects the quality and care we take in our brand.



allen

Cast Aluminium Yacht Cleats Anodised Aluminium deck cleats



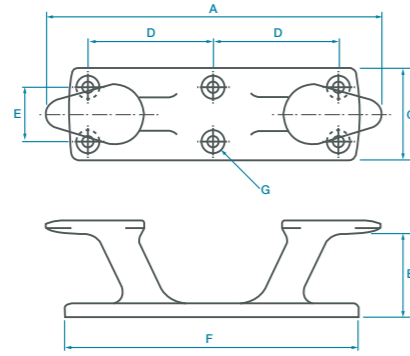
YACHT & KEELBOAT FITTINGS

Part No.	Description	A mm	B mm	C mm	D mm	E mm	F mm	G mm	Weight g
YS7106A	Deck cleat	245	43	68	95	44	117	M6	1.40
YS7106B	Deck cleat	307	54.5	80	120	50	151	M8	1.00
YS7107A	Deck or mast cleat	83	10	16.5	20	38	-	M5	0.03
YS7107B	Deck or mast cleat	112	10	20	26	49	-	M5	0.06
YS7107C	Deck or mast cleat	158	18	28	30	64	-	M6	0.15
YS7107D	Deck or mast cleat	178	20	29	35	71	-	M6	0.25
YS7107E	Deck or mast cleat	205	21	31.5	35	75	-	M6	0.25
YS7107F	Deck or mast cleat	253	25	38.5	45	101	-	M10	0.50
YS7109A	Deck cleat	153	27	69	40	46	64	M8	0.28
YS7109B	Deck cleat	205	36	80	55	56	83	M8	0.60
YS7109C	Deck cleat	265	42	104	75	74	107	M8	1.00
YS7109D	Deck cleat	311	42	104	67	75	105	M8	1.10
YS7109E	Deck cleat	362	48	117	76	78	116	M10	1.40
YS7110A	Deck cleat	91	9	35	36	20	54	M4	0.04
YS7110B	Deck cleat	103	4	34	31	22	46	M4	0.05
YS7110C	Deck cleat	132	8	44	37	28	56	M5	0.08
YS7110D	Deck cleat	167	7.5	50	46	30	71	M5	0.16
YS7111A	Deck cleat	161	18	58	52	38	75	M6	0.25
YS7111B	Deck cleat	207	23	65	60	46	84	M6	0.30
YS7111C	Deck cleat	254	28.4	83	75	57	112	M8	0.65
YS7111D	Deck cleat	305	29	82	78	57	112	M8	0.75
YS7111E	Deck cleat	355	30	87	84	60	121	M8	1.00
YS7111F	Deck cleat	405	33	90	88	62	128	M8	1.35
YS7111G	Deck cleat	450	34	107	94	77	135	M10	2.00
YS7115A	Deck or mast cleat	156	23	32	48	-	75	M6	0.18
YS7115B	Deck or mast cleat	179	25	33	54	-	83	M6	0.20
YS7115C	Deck or mast cleat	201	28	37	59	-	86	M6	0.30
YS7116B	Deck cleat	200	38	89	75	60	103	M8	461
YS7116C	Deck cleat	254	39	90	77	64	106	M8	554
YS7116D	Deck cleat	350	39	81	79	55	114	M8	690
YS7164A	Jammer deck cleat	155	30	38	35	132	18	M6	0.25
YS7164C	Jammer deck cleat	150	30	30	53	64	-	M6	1.63
YS7180A	Open base cleat	142	21.5	45	58	29	78	M5	0.10
YS7180B	Open base cleat	166	21	48	69	31	90	M5	0.20
YS7180C	Open base cleat	202	31	65	79	42	105	M6	0.25

Bollards



YS7112D
YS7112E



Bow Rollers



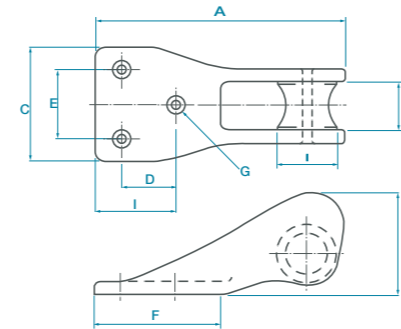
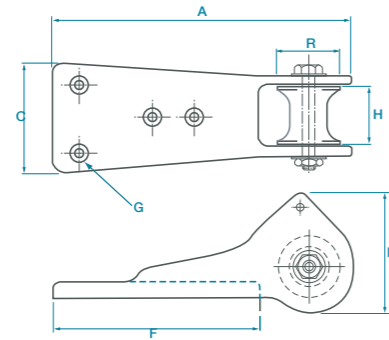
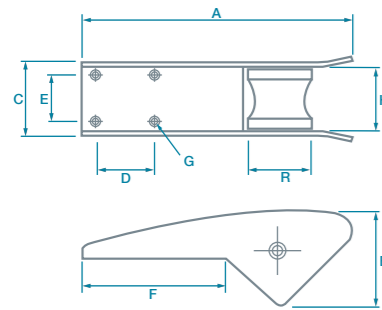
YS7181B



YS7181S



YS869A



Drop Nose Pins



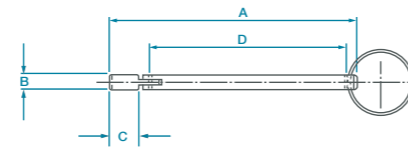
YS7134P



YS7181DP



YS7181P
YS7181SP



Part	Description	A mm	B mm	C mm	D mm	E mm	F mm	G mm	H mm	Weight g
YS7112D	Raked bollard	276	63	70	102	46	237	M8	-	1.0
YS7112E	Raked bollard	312	78	70	102	46	237	M8	-	1.6
YS7181B	Hi bow roller	333	135	95	75	45	170	M8	75	1.80
YS7181S	Bow roller	245	100	100	-	-	170	M8	55	1.55
YS869A	Low bow roller	165	70	70	40	45	80	M6	30	0.45
YS7134P	Drop nose pin	85	8	12	58	14	-	-	-	14
YS7181DP	Drop nose pin	107	8	15	80	12	-	-	-	12
YS7181P	Drop nose pin	148	8	25	115	15	-	-	-	15
YS7181SP	Drop nose pin	120	8	12	92	16	-	-	-	16



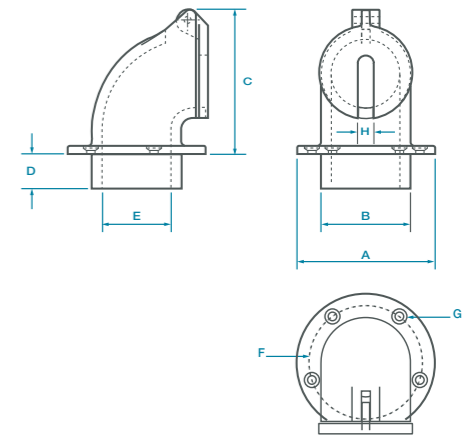
PHOTO: Alan Hanna

Hunter Boats, 707.

Chain Pipe



YS7138A
YS7138B



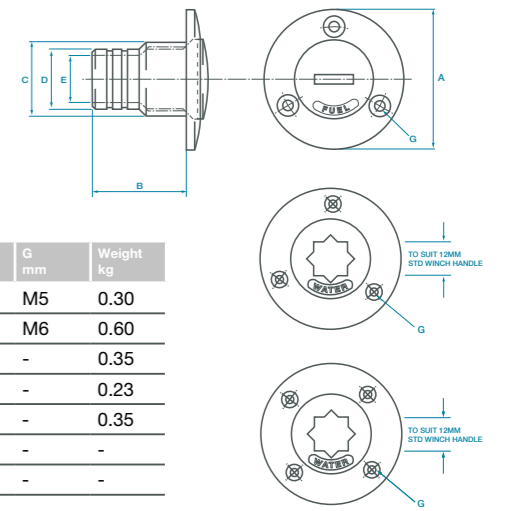
Deck Fillers



YS812
YS813
YS851



YS-FUEL
YS-WASTE
YS-WATER



Part	Description	A mm	B mm	C mm	D mm	E mm	F mm	G mm	Weight kg
YS7138A	Right angle chain pipe	80	80	10	45	35	-	M5	0.30
YS7138B	Right angle chain pipe	105	105	25	65	50	-	M6	0.60
YS812	Deck filler - Slot head	88	62	48	40	30	M6	-	0.35
YS813	Deck filler - Winch handle	94	72	59	51	45	M6	-	0.23
YS851	Deck filler - Winch handle	94	72	59	51	45	M6	-	0.35
YS-FUEL	Fuel label red	-	-	-	-	-	-	-	-
YS-WASTE	Waste label black	-	-	-	-	-	-	-	-
YS-WATER	Water label black	-	-	-	-	-	-	-	-

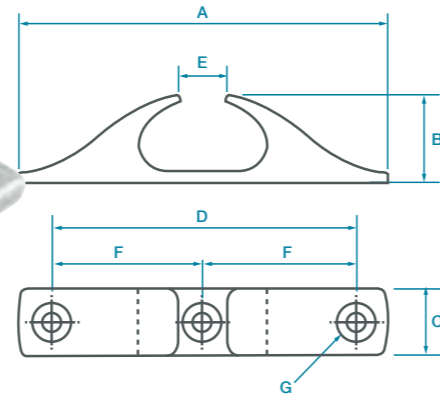
Cast Aluminium Yacht Fairleads



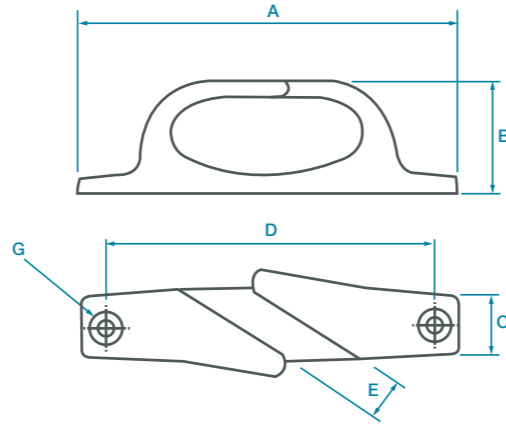
YS7117A

YS7117B

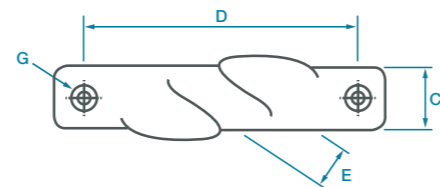
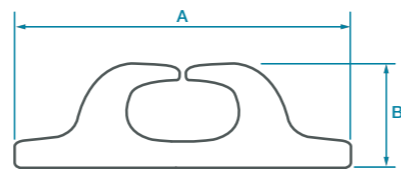
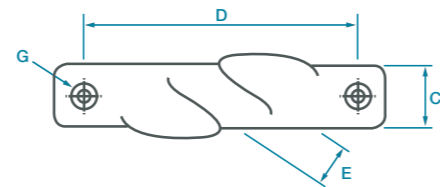
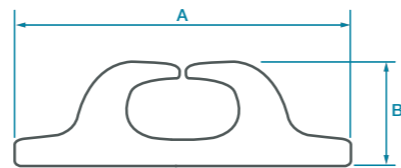
YS7117C



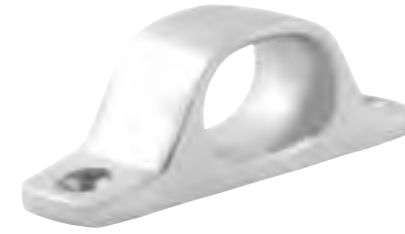
YS7119D



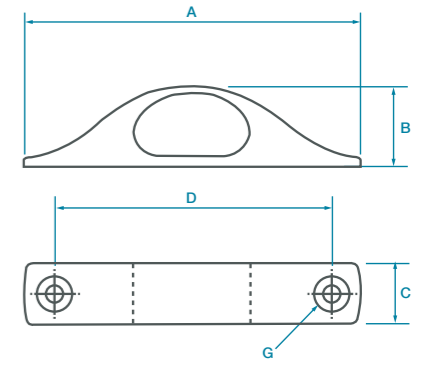
YS7120A
YS7120B
YS7120C
YS7120D
YS7120E
YS7120F



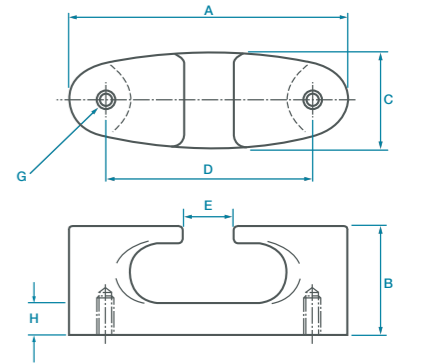
YS7121C
YS7121D
YS7121E



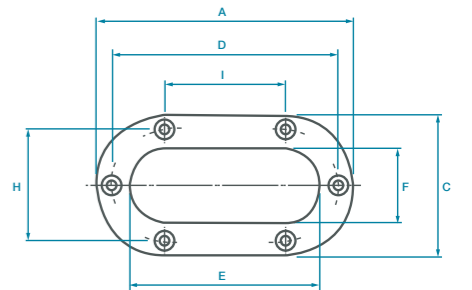
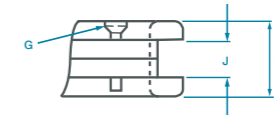
YS800A
YS801A



YS8380
YS8380A



YS863A
YS863C



Part	Description	A mm	B mm	C mm	D mm	E mm	F mm	G mm	J mm	Weight kg
YS7117A	Straight fairlead	145	40	29	117	15	-	M8	-	0.25
YS7117B	Straight fairlead	177	55	37	151	29	-	M8	-	0.35
YS7117C	Straight fairlead	196	63	42	165	40	85	M8	-	0.55
YS7119D	Handed fairlead	173	50	37	147	24	-	M8	-	0.30
YS7120A	Handed fairlead	86	31	14.5	67.5	12.5	-	M5	-	0.15
YS7120B	Handed fairlead	105	33	23.5	84	18	-	M5	-	0.20
YS7120C	Handed fairlead	128	38	30	105	18	-	M6	-	0.35
YS7120D	Handed fairlead	160	42	33	132	18	-	M8	-	0.58
YS7120E	Handed fairlead	177	46	32.5	150	21	-	M8	-	0.80
YS7120F	Handed fairlead	219	58	44.5	178	31	-	M10	-	1.45
YS7121C	Handed fairlead	134	40.5	29	111	17	-	M6	-	0.32
YS7121D	Handed fairlead	158	50	32	134	19.5	-	M8	-	0.36
YS7121E	Handed fairlead	210	62.5	41	175	29.5	-	M10	-	0.60
YS800A	Straight fairlead	89	30	22	72	-	-	M5	-	0.06
YS801A	Closed Fairlead	159	43	32	127	-	-	M8	-	0.2
YS8380	Straight fairlead	107	50	41	78	20	-	M8	-	0.35
YS8380A	Straight fairlead	127	68	49	93	25	-	M10	-	0.60
YS863A	Through fairlead	109	32	58	95	79	30	M4	9	0.16
YS863C	Through fairlead	164	72	100	135	111	52	M6	14	0.80

Cast Portlights



YS7148A

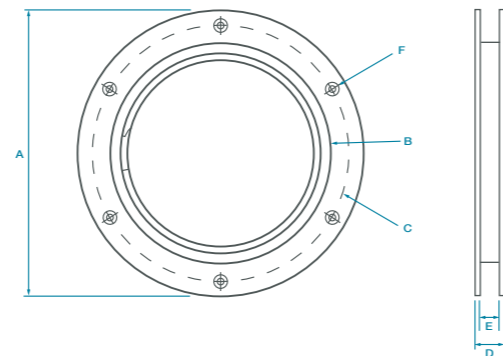
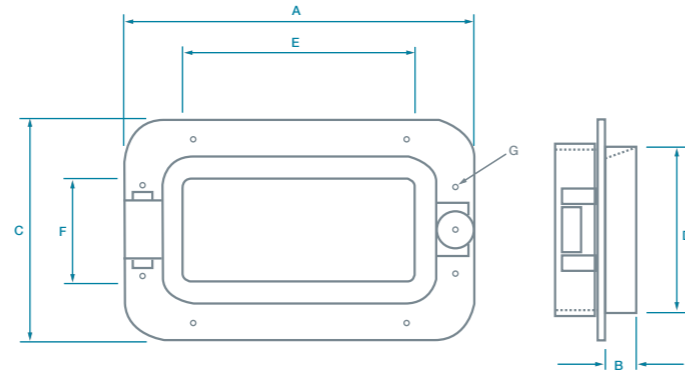
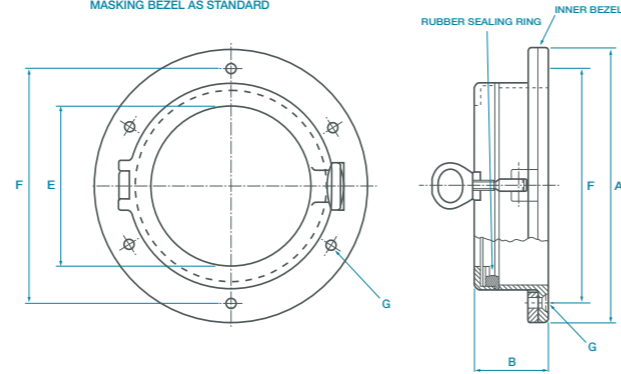


YS7149A



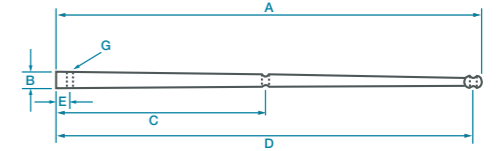
YS872A
YS872C

TOUGHENED GLASS & INSIDE MASKING BEZEL AS STANDARD



Part	Description	A mm	B mm	C mm	D mm	E mm	F mm	G mm	Weight kg
YS7148A	Opening portlight	230	58	-	-	130	201	M5	1.40
YS7149A	Opening portlight	225	20	175	140	148	98	M6	1.75
YS872A	Portlight	145	107	PCD 130.8	22.5	14.5	M5x6	-	0.55
YS872C	Portlight	222	171	PCD 200	23	15	M5x6	-	0.9

Aluminium Yacht Stanchions & Bases



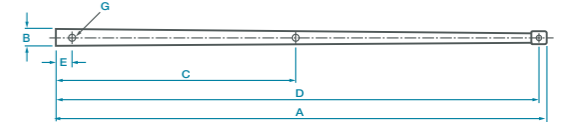
YS47H



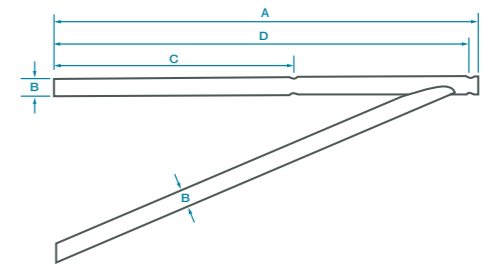
YS7165A



YS7165B



YS7165C



YS47H-GWA/B
YS47K-GWA/B



YS47H

YS7165A
YS7165B
YS7165C

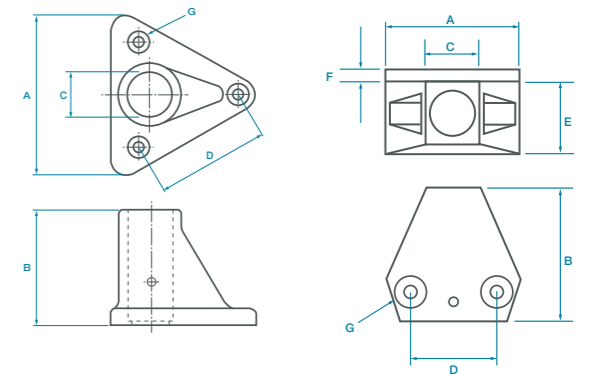
YS47H-GWA/B
YS47K-GWA/B



YS47-20

YS7157A

YS7157B



Part	Description	A mm	B mm	C mm	D mm	E mm	F mm	G mm	Weight kg
YS47H	Toe rail stanchion	610	25	345	593	25.4	-	5	0.70
YS47H-GWA/B	Gangway gates	610	25.4	345	597	-	-	-	1.62
YS47K-GWA/B	Gangway gates	686	25.4	375	675	-	-	-	1.85
YS7165A	Tapered stanchion	508	25.4	-	497	25.4	-	4.8	0.30
YS7165B	Tapered stanchion	635	25.4	305	622	25.4	-	4.8	0.39
YS7165C	Tapered stanchion	762	25.4	357	750	25.4	-	4.8	0.46

Part	Description	A mm	B mm	C mm	D mm	E mm	F mm	G mm	Weight kg
YS47-20	Stanchion base	74	74	26.5	44.5	37	5.5	M6	0.50
YS7157A	Stanchion base	95.5	67.5	25.4	64	-	-	M6	0.30
YS7157B	Stanchion base	90	63.5	25.4	70	-	-	M6	0.25

Stanchion Mounted Blocks

An inexpensive yet brilliantly simple solution for leading lines from the foredeck back to the cockpit



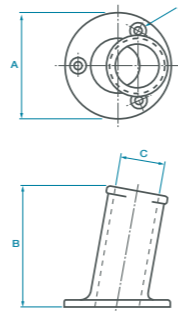
A.450 A.450A A.455

Part	Description	Length mm	Line Dia mm	Bracket Dia mm	Weight g
A.450	Stanchion mounted plain bearing block	94	8 - 10 (14 max)	25	69
A.450A	Stanchion mounted block w removable pin	94	8 - 10 (14 max)	25	69
A.455	Stanchion mounted fairlead with S/S bush	60	8 - 10 (14 max)	25	43

Flagstaff Socket



YS7141A
YS7141B



Part	Description	A mm	B mm	C mm	D mm	E mm	F mm	G mm	Weight kg
YS7141A	Angled flagstaff socket	67.5	71	25.4	-	-	-	M5	0.15
YS7141B	Angled flagstaff socket	61	72	19	-	-	-	M5	0.11

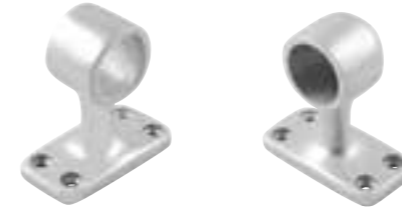
Furling Boom Claw Ring



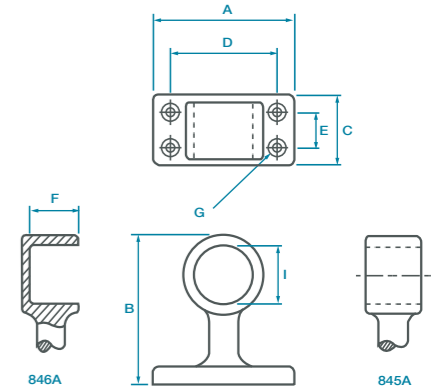
YS7167A
YS7167B
YS7167C

Part	Description	Diameter mm
YS7167A	Cast Aluminium claw ring	76mm
YS7167B	Cast Aluminium claw ring	126mm
YS7167C	Cast Aluminium claw ring	175mm

Handrail Brackets



YS845A YS846A

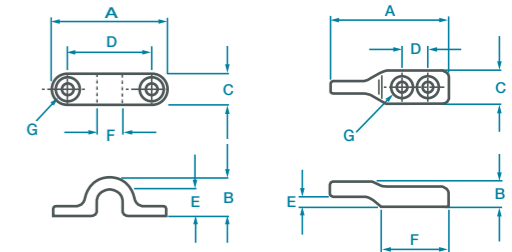


Part	Description	A mm	B mm	C mm	D mm	E mm	F mm	G mm	I mm	Weight kg
YS845A	Pass through handrail bracket	65	70	32	45	18	-	M4	25.4	0.14
YS846A	Handrail end bracket	65	70	32	45	18	20	M4	25.4	0.14

Lacing Hook & Eye



YS7161A YS853A

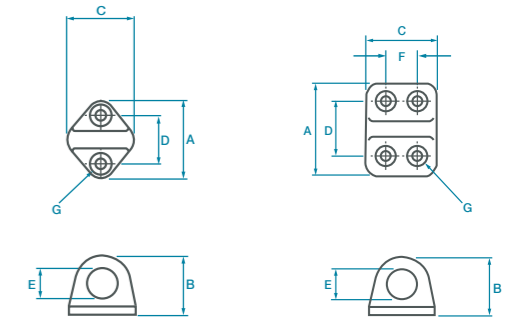


Part	Description	A mm	B mm	C mm	D mm	E mm	F mm	G mm	Weight kg
YS7161A	Lacing eye	44	16.5	10.5	31	8.5	10	M4	0.06
YS853A	Lacing hook	45	12	10	30	10	10	M4	0.03

Fender Eyes



YS7125A YS852A

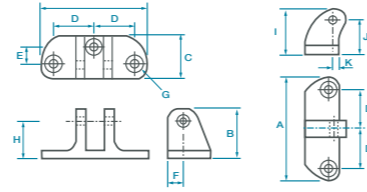


Part	Description	A mm	B mm	C mm	D mm	E mm	F mm	G mm	Weight kg
YS7125A	Fender eye with 4 fixings	50	32	38	36	17.5	21	M5	0.03
YS852A	Fender eye with 2 fixings	35	26.5	30	24	13	-	M4	0.02

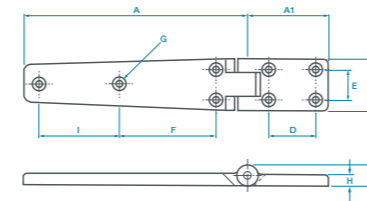
Hinges



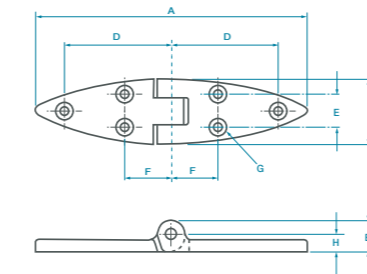
YS7173C



YS7174A
YS7174B



YS7176A



Part	Description	A mm	A1 mm	B mm	C mm	D mm	E mm	F mm	G mm	H mm	I mm	J mm	Weight kg
YS7173C	Small hatch hinge	80	-	35	30	25	12.5	10	M6	25	37	28	9.12
YS7174A	Asymmetric hinge	108	45	12	30	19	15	40	M5				.08
YS7174B	Asymmetric hinge	140	65	15	35	37	19	50	M6				0.14
YS7176A	Pointed strap hinge	125	-	15	30	50	15	22	M5				0.52

Winch Handles

Our practical, affordable winch handles are made from high-grade anodised aluminium with a free running nylon handle. They are available with a short or long arm, and with a locking or non-locking socket.



A1221
A1221L

Part	Description	Arm Length mm
A1221	Non-locking	200
A1221L	Locking	200

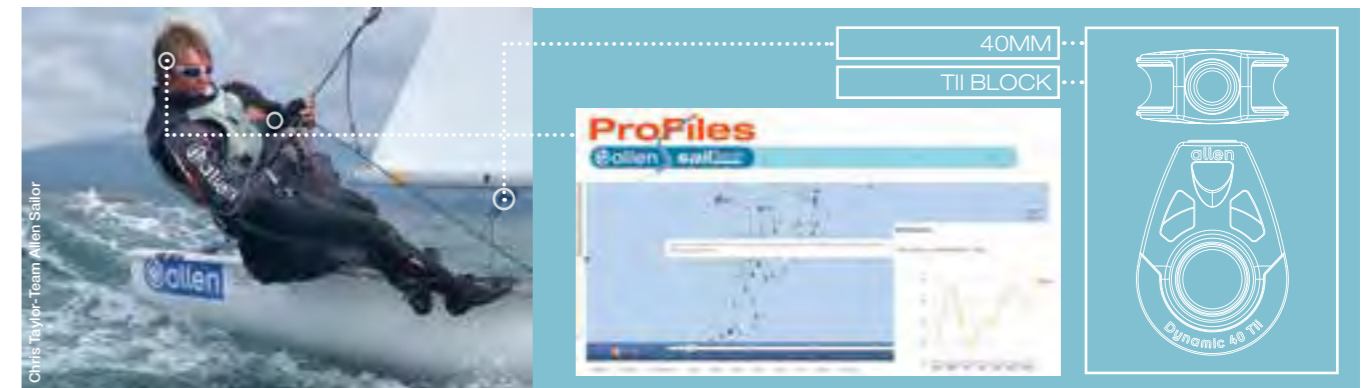
PRODUCT CODE INDEX



PRODUCT CODE	PAGE	PRODUCT CODE	PAGE	PRODUCT CODE	PAGE	PRODUCT CODE	PAGE	PRODUCT CODE	PAGE	PRODUCT CODE	PAGE	PRODUCT CODE	PAGE	PRODUCT CODE	PAGE
A...3	40	A..85	22	A.221	48	A.392	79	A.738	71	A.493-993	26	A1837	39	A2150	16
A...4	61	A..86	22	A.222	78	A.393	79	A.743	53	A.526-1	70	A1886	22	A2151	16
A...5	61	A..89	54	A.222ASS	78	A.396	26	A.751	52	A.526-2	70	A1923	48	A2159	14
A...6	61	A..90	54	A.222W	78	A.397	26	A.754	76	A.526TA	70	A1937	39	A2159	17
A...6B	61	A..91	54	A.223	44	A.402	71	A.758	54	A.537-BAG	39	A2020	6	A2160	17
A...6H	61	A..93	20	A.232	67	A.403	71	A.781	33	A.537W	39	A2021	6	A2161	16
A...7	61	A..93LZ	20	A.237	39	A.423	44	A.802	55	A.537W-BAG	39	A2022	7	A2169	14
A...8	61	SA..94	61	A.238	78	A.435	38	A.803	55	A.539-14	42	A2023	7	A2169	17
A...8A	61	A.99G	78	A.239	42	A.439	42	A.804	55	A.554W	76	A2024	8	A2240	16
A...9	61	A.99W	78	A.244	53	A.450	90	A.805	55	A.558DW	54	A2025	8	A2241	16
A...94	61	A.101	52	A.245	63	A.451	52	A.806	55	A.593-893	26	A2026	8	A2242	17
A...9B	61	A.102	52	A.246	33	A.452	43	A.808	55	A.726-4	70	A2027	8	A2345	17
A...9H	61	A.119	22	A.248	38	A.454	46-47	A.810	55	A.726-5	70	A2028	8	A2360	17
A..14R	60	A.120	60	A.251	52	A.455	90	A.812	55	A.754W	76	A2029	8	A2966	48
A..14S	60	A.122	78	A.252	43	A.458	54	A.814	55	A.791SA	62	A2030	9	A3085	22
A..15B	61	A.122ASS	78	A.253	40	A.464	66	A.824	70	A.816-0.9	70	A2031	9	A3210	58
A..16	61	A.122W	78	A.254	76	A.466	66	A.851	52	A.816-29er	70	A2032	9	A3211	58
A..16	61	A.123	44	A.256	53	A.472	66	A.854	76	A.816-3.0	70	A2033	10	A3212	58
A..16B	61	A.131	67	A.257	67	A.473	66	SA.873	63	A.819-0.9	70	A2034	10	A3342	22
A..21	48	A.132	67	A.258	54	A.478	53	A.886	53	A.819-3.0	70	A2035	10	A3343	22
A..21S	48	A.134	43	A.259	77	A.481	33	A.916	71	A.826-2	70	A2036	10	A4002	63
A..22	78	A.135	38	A.271	78	A.488	26	A.924	70	A.826-3	70	A2037	10	A4003	40
A..22ASS	78	A.136	71	A.281	33	A.496	26	A.936	71	A.826-5	70	A2038	10	A4016	63
A..22W	78	A.137W	39	A.282	43	A.497	26	A.937	71	A.826B-1.5	70	A2039	10	A4024	56
A..26-1	70	A.137	39	A.289	54	A.535	38	A.940	71	A.826B-3.0	70	A2041	13	A4025	38
A..26-2	70	A.138	78	A.290	79	A.536	71	A.946	71	A.854W	76	A2042	13	A4028	68
A..26-3	70	A.139	42	A.291	79	A.537	39	A.958	54	A.881-STOCK	48	A2043	13	A4030	78
A..26-4	70	A.144	53	A.293	26	A.538	39	AB.970	48	AFCP59	57	A2044	13	A4032	63
A..28	61	A.144B	53	A.294	26	A.539	42	A.980	48	A178	20	A2045	12	A4033	23
A..30	71	A.146	33	A.302	71	A.543	53	A.226-2	70	RTC201.1	67	A2046	13	A4034	23
A..31	67	A.148	38	A.303	71	A.554	76	A.226-330	70	RTC261.8	67	A2047	12	A4035	41
A..38	78	A.150	22	SA.312	63	A.558	54	A.226-5	70	AFPP266	57	A2050	14	A4036	41
A..39	42	A.151	52	A.315	22	A.559	77	A.237W	39	A278	20	A2052	14	A4038	41
A..40	42	A.152	43	A.322	78	A.575	53	A.254W	76	A378	20	A2053	14	A4039	42
A..40-12	42	A.153	43	A.323	44	A.581	33	A.282A	43	AFCP518	57	A2054	14	A4040	74
A..45	22	A.154	67	A.337	39	A.588	26	A.290W	79	AFCP521	57	A2055	14	A4042	63
A..46	22	A.156	53	A.338	39	A.602	67	A.322ASS	78	AFCP525	57	A2056	14	A4043	74
A..51	52	A.158	54	A.339	42	A.612	22	A.322W	78	AFCP621	57	A2057	14	A4048	68
A..52	43	A.165A	20	A.343	53	A.613	22	A.326-2	70	YS812	85	A2058	14	A4052	43
A..54	67	A.165LZ	20	A.344	53	A.614	22	A.337-BAG	39	YS813	85	A2058	17	A4057	77
A..56	53	A.165PS	20	A.345	33	A.621	17	A.337W	39	YS851	85	A2059	14	A4066	75
A..59	77	A.167ASS*10	75	A.345	63	A.622	17	A.337W-BAG	39	A1034	23	A2060	14	A4068	18
A..60	74	A.168ASS*10	75	A.351	52	A.625	62	A.354W	76	A1058	54	A2062	14	A4073	41
A..61	38	A.169ASS*10	75	A.354	76	A.626	70	A.390W	79	A1086	22	A2063	14	A4077	26
A..62	74	A.171M	75	A.356	53	A.637	39	A.391SC	79	AB1139	48	A2064	14	A4078	20
A..71	75	A.171	75	A.357	67	A.638	39	A.391W	79	A1158	54	A2065	14	A4080	20
A..71M	75	A.174	76	A.358	54	A.643	53	A.392W	79	A1175	48	A2066	14	A4081	20
A..71R	75	A.181	33	A.359	77	A.651	52	A.419L	52	YS1221	92	A2067	14	A4086	22
A..74	76	A.182	43	A.360	66	A.654	76	A.419S	52	A1231	44	A2068	14	A4088	41
A..74M	76	A.185	22	A.361	78	A.656	70	A.439-14	42	A1232	44	A2068	17	A4092	46-47
A..75	76	A.193	26	A.363	66	A.658	54	A.439A-B	42	A1375	23	A2069	14	A4098	46-47
A..76	26	A.199	78	A.381	33	A.659	77	A.439A-BLK	42	A1376	23	A2077	37	A4099	78
A..77	26	A.215	22	A.382	43	AB.670	48	A.439A-G	42	A1378	23	A2121	8	A4101	10
A..80A	22	A.216	22	A.386	22	A.676	26	A.439A-O	42	A1396	26	A2122	8	A4102	59
A..81	33	A.217	22	A.389	54	A.677	26	A.439A-P	42	A1397	26	A2131	10	A4106	50
A..83	22	A.219	22	A.390	79	A.681	33	A.439A-S	42	A1438	68	A2132	10	A4107	62
A..84	22	A.220	22	A.391	79	A.736	71	A.450A	90	A1737	39	A2140	16	A4116	63

PRODUCT CODE	PAGE	PRODUCT CODE	PAGE	PRODUCT CODE	PAGE	PRODUCT CODE	PAGE	PRODUCT CODE	PAGE	PRODUCT CODE	PAGE	PRODUCT CODE	PAGE	PRODUCT CODE	PAGE
A4121	48	A4348	68	A4659	77	A5521	46-47	A6168	64-65	A52802	44	A2023HK	7	A2036-PROFIX	10
A4124	62	A4354	37	A4665	26	A5525	46-47	A6169	64-65	A731705	77	A2024-67	8	A2039-CAM	10
A4128	68	A4369	77	A4669	19	A5530	46-47	A6170	64-65	A731706	77	A2024F	8	A2039-FIDDLE	10
A4138	68	A4371	40	A4670	19	A5535	46-47	A6175	64-65	A731707	77	A2025-677	8	A2040-4222ASS	13
A4139	42	A4372	56	A4675	26	A5540	46-47	A6176	64-65	A731708	77	A2026M	8	A2040B	12
A4142	63	A4376	41	A4679	19	A6010	55	A6177	64-65	A731709	77	A2026PROFIX	8	A2040LZ	13
A4146	33	A4377	41	A4693	19	A6011	55	A6178	64-65	A731710	77	A2028HL	8	A2040SC	13
A4148	68	A4379	18	A4696	19	A6012	55	A6180	74	YS1221L	92	A2030-40	9	A2040SC-676	13
A4152	43	A4382	43	A4698	46-47	A6013	55	A6185	64-65	A1737W	39	A2030HL	9	A2040SC-677	13
A4153	43	A4383	63	A4708	61	A6014	55	A6186	64-65	A178-74	20	A2030LZ	9	A2040TII	13
A4157	77	A4385	63	A4721	16	A6020	68	A6187	64-65	A178BB	20	A2030SC	9	A2041-676	13
A4159	77	A4388	41	A4728	68	A6021	68	A6188	64-65	A1837W	39	A2030SHK	9	A2041-677	13
A4160	59	A4389	34	A4761	26	A6022	68	A6200	64	A1937W	39	A2030TII	9	A2041-677HK	13
A4165	20	A4393	19	A4766	30-31	A6023	68	A6204	64	A2020-4035	6	A2030XHL-BLK	9	A2043-676	13
A4171	38	A4396	19	A4771	26	A6024	68	A6208	64	A2020-4036	6	A2030XHL-BLUE	9	A2043-677	13
A4172	56	A4409	61	A4772	56	A6035	68	A6212	64	A2020HL	6	A2030XHL-GOLD	9	A2044-676	13
A4178	20	A4413	63	A4779	19	A6036	68	A7000	48	A2020LZ	6	A2030XHL-ORANGE	9	A2044-677	13
A4181	20	A4416	63	A4791	62	A6037	68	YS7119	86	A2020SC	6	A2030XHL-PURPLE	9	A2050TII	14
A4182	43	A4422	59	A4796	19	A6038	68	A8331	72	A2020SHK	6	A2030XHL-SIL	9	A2054HK	14
A4184	60	A4428	68	A4798	46-47	A6039	68	A8332	72	A2020TII	6	A2031F	9	A2150FIDDLE	16
A4196	18	A4431	67	A4801	10	A6040	68	A8334	72	A2021F	6	A2031SC	9	A2160C	16
A4203	63	A4439	42	A4828	68	A6045	68	A8335	72	A2021HK	6	A2032TII	9	A2160FIDDLE	16
A4216	63	A4446	33	A4866	30-31	A6046	68	A8337	72	A2021SC	7	A2034-676	10	AFPP266B	57
A4222	59	A4452	43	A4867	30-31	A6047	68	A8338	72	A2022F	7	A2035-676	10	AFPP266C	57
A4225	38	A4459	77	A4869	77	A6048	68	YS8380	87	A2022TII	7	A2036M	10	A278-74	20
A4228	68	A4461	74	A4871	40	A6050	41								
A4232	67	A4466	30-31	A4872	56	A6051	41								
A4233	63	A4471	40	A4876	30-31	A6052	41								
A4239	42	A4472	56	A4886	22	A6060	68								
A4244	34	A4474	36	A4898	46-47	A6061	68								
A4245	63	A4475	23	A4904	59	A6062	68								
A4246	33	A4479	18	A4905	59	A6065	68								
A4252	43	A4488	41	A4921	16	A6066	68								
A4258	60	A4489	34	A4968	8	A6067	68								
A4259	77	A4496	19	A4969	77	A6068	68								
A4261	74	A4498	46-47	A4972	56	A6069	68								
A4264	36	A4501	20	A4978	10	A6075	68								
A4265	20	A4502	8	A4979	19	A6076	68								
A4272	56	A4514	60	A4988	30-31	A6077	68								
A4274	36	A4521	40	A4988	30-31	A6078	68								
A4276	41	A4527	62	A4993	18	A6110	64								
A4279	18	A4528	68	A5005	56	A6112	64								
A4282	43	A4539	42	A5006	56	A6114	64								
A4283	63	A4566	30-31	A5014	41	A6116	64								
A4283	64-65	A4567	22	A5015	41	A6132	64								
A4288	41	A4568	18	A5016	41	A6134	64								
A4289	34	A4569	19	A5098	46-47	A6136	64								
A4296	18	A4570	19	A5166	28	A6138	64								
A4298	46-47	A4571	40	A5196	46-47	A6140	64								
A4302	59	A4572	56	A5197	46-47	A6152	64								
A4314	60	A4575	37	A5198	46-47	A6153	64								
A4318	50	A4588	41	A5229	48	A6154	64								
A4328	68	A4591	37	A5506	46-47	A6155	64								
A4331	67	A4592	58	A5507	46-47	A6156	64								
A4332	67	A4593	19	A5512	46-47	A6157	64								
A4334	26	A4596	19	A5514	46-47	A6166	64-65								
A4339	42	A4621	16	A5519	46-47	A6167	64-65								

Use Our Hardware. Learn From Our Software.



Bring Home The Silverware.

The ultimate solution for the competitive dinghy sailor is a combination of time spent out on the water, tuning for speed with Allen performance hardware, then optimising your race tactics using ProFiles analysis and coaching technology.

You can master new courses, test new tactics and learn from the experts. ProFiles brings elite levels of coaching to weekend racers. Register now, free of charge, at www.allensailracerprofiles.com



PRODUCT CODE	PAGE	PRODUCT CODE	PAGE	PRODUCT CODE	PAGE	PRODUCT CODE	PAGE
A278-74BB	20	A4379HK	19	A5166COMP-ASS	29	YS863A-C	87
A278BB	20	A4379HK-90	19	A5166DUAL	29	YS869A	84
A3280P	20	A4380P	20	A5166DUAL-ASS	29	YS872A	88
A3380P	20	A4380PSC	20	A5166FIDDLE	29	YS872C	88
A378BB	20	A4389J	34	A5404S	8	A-BAG-KIT	39
A4001E	38	A4389M	34	A5404S	68	C203	32
A4003H	40	A4389TII	34	A5405N	68	C211MK2/S2	32
A4003M	40	A4393HK	19	A5405S	10	C211MK2A	32
A4003MS	40	A4417L	50	A5405S	68	C217M1	32
A4009C	60	A4417S	50	A5406S	68	C218M1	32
A4009K	60	A4439-14	42	F630L	57	C218M2	32
A4009K-10	60	A4461-6	74	A7002-1.0	48	C222	32
A4009LZ	60	A4466STRAIGHT	30-31	A7002-1.3	48	C222A	32
A4009LZ-10	60	A4474-76	36	YS7106A-b	82	C230	32
A4017-23	50	A4489J	34	YS7107A-F	83	C236A	32
A4017-35	50	A4489M	34	YS7109A-E	82	C253	33
A4017-42	50	A4489SOLO	34	YS7111A-G	82	C253	74
A4017-45	50	A4539-14	42	YS7112D-E	84	C253A	74
A4017-51	50	A4547C	62	YS7115A-C	83	C253AN	33
A4017-54	50	A4580PC	20	YS7116B-D	82	C257	33
A4017C-38	50	A4589CAT676	34	YS7117A-C	86	C270	33
A4018-23	50	A4589CAT677	34	YS7120A-F	86	A-621104	68
A4018-35	50	A4589M	34	YS7121C-E	86	A-621105	68
A4018-42	50	A4589TII	34	YS7125A	91	A-621106	68
A4018-45	50	A4592E	58	YS7134P	84	A-621108	68
A4018-51	50	A4592E	63	YS7138A-B	85	A-621110	68
A4018-54	50	A4686P	20	YS7141A-B	90	A-622104	68
A4018C-38	50	YS47-20	89	YS7148A	88	A-622106	68
A4025S	38	A4772DR-KIT	56	YS7149A	88	A-622108	68
A4035-6	41	A4772HT	56	YS7157A-B	89	A-623104	68
A4043C	74	A4772S	56	YS7161A	91	A-623105	68
A4043-KIT	74	A4772S-8	56	YS7164A	82	A-623106	68
A4043N	74	A4772SDR-KIT	56	YS7164C	82	A-623108	68
A4043N-1	74	A4786-6	22	YS7165A-C	89	A-623110	68
A4043W	74	A4786-8	22	YS7167A-C	90	A-624105	68
A4043W-1	74	YS47H	89	YS7173C	92	A-624106	68
A4043W-KIT	74	YS47H-GWA/B	89	YS7174A-B	92	A-624108	68
A4107S	62	YS47KGWA/B	89	YS7176A	92	A-624110	68
A4114-1	60	A4866X	30-31	YS7180A-C	83		
A4114-2	60	A4866XB	30-31	YS7181B	84		
A4114-3	60	A4869HK	77	YS7181DP	84		
A4117L	50	A4904LZ	59	YS7181P	84		
A4117S	50	A4986-6	22	YS7181S	84		
A4161LZ	74	A4986-8	22	YS7181SP	84		
A4165E	20	A4988X	30-31	A731705-E	77		
A4165SC	20	A5014F	41	A731706-E	77		
A4171S	38	A5015F	41	A731707-E	77		
A4203R	63	A5016F	41	A731708-E	77		
A4229-6	48	A5052-16	43	A731709-E	77		
A4250P	20	A5053-8	43	A731710-E	77		
A4260-1	59	A5054-8	43	YS800A	87		
A4260-2	59	A5105L	56	YS801A	87		
A4274-76	36	A5105S	56	YS8380A	87		
A4280P	20	A5106L	56	YS845A	91		
A4280PSC	20	A5106S	56	YS846A	91		
A4298TOP	46-47	A5166ASSEMBLED	28	YS852A	91		
A4314R	60	A5166COMP	28	YS853A	91		

Notes

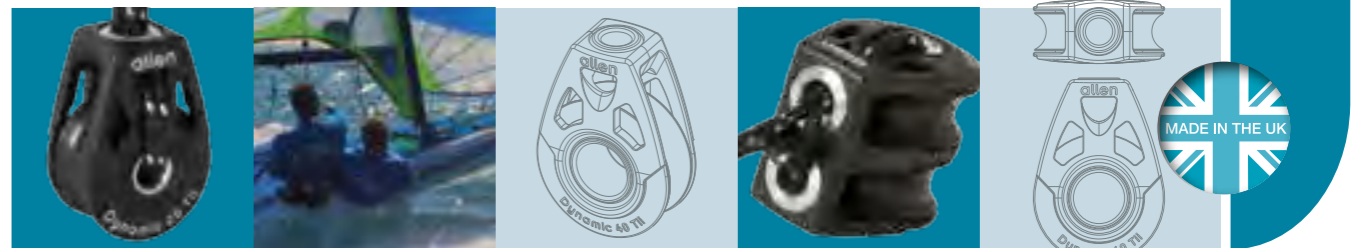


Held together with a ring of steel

The new Tii block range is a perfect example of product development driven by customer feedback.

A rope friendly, smooth stainless steel ring in the top of the block holds it together providing maximum strength and durability under load whilst completely eliminating block capsizing. Furthermore, the Tii range is 20-30% lighter than the equivalent standard block and still features our patented dynamic bearing system.

Dynamic design, dynamic products, dynamic sailing.



Available in 20,30,40 and 50mm as single; 20 and 30mm as double configuration.

Tii Block Range

Performance Hardware 2017-18



allenbrothers.co.uk



 **allen**
DESIGNED FOR SAILING