

PORTS QUOTE REQUEST

**Please supply the below information
so we can arrange a quote for you.**

DATE: _____

NAME: _____

ADDRESS: _____

PHONE #: _____

EMAIL: _____

Please Circle your requirements

TYPE: Opening Port: Rectangular Elliptical Oval Round Economy

Fixed Port Other please specify _____

HANDLES: Inside In/Outside Double Opening

Inside Handle for Anti Theft Locking

HINGE: Standard Friction

CUT OUT SIZE: _____

SPIGOT SIZE: _____ Angled Straight

STAY: Yes No If Yes: Pin Style Gas Style

CHANGE BLACK KNOB TO STAINLESS STEEL RING: Yes No

SCREEN: Yes No

STORM COVER: Yes No Removable: Yes No

POWDER COATING: Yes No

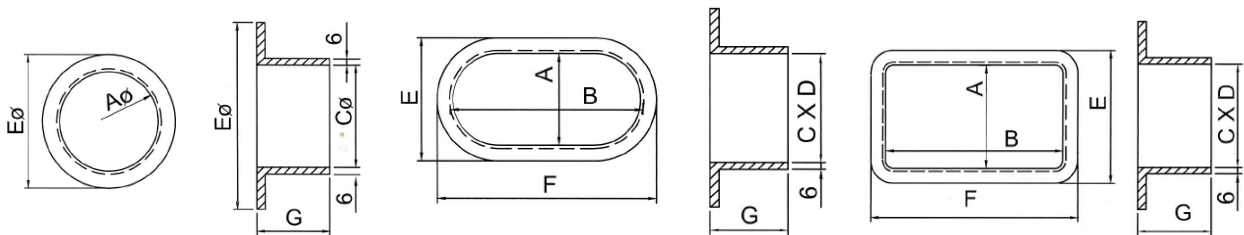
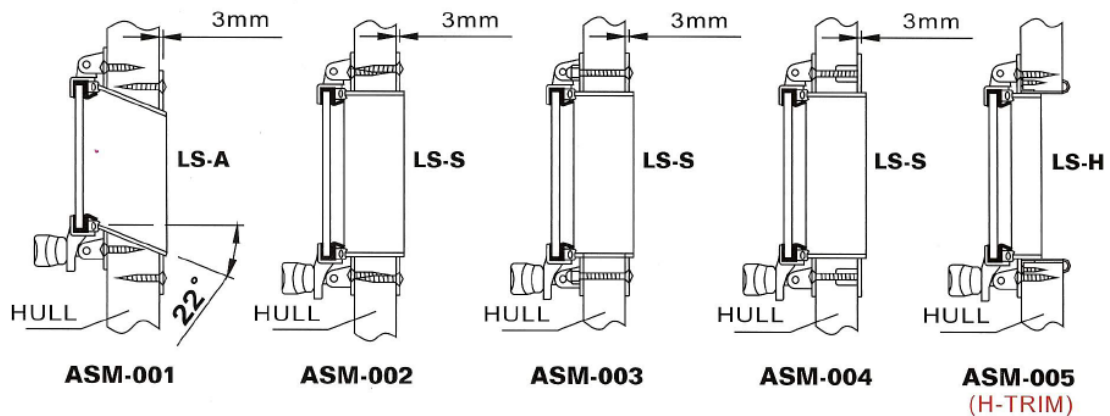
ACRYLIC or TEMPERED GLASS

COLOUR: Acrylic: Tanned (standard), Clear, Tint Grey

Glass: Clear (standard), Tanned, Tint Blue, Tint Grey

THICKNESS: _____ QUANTITY: _____

OTHER: _____



Please circle requirements and email
phil@deckhardware.com.au