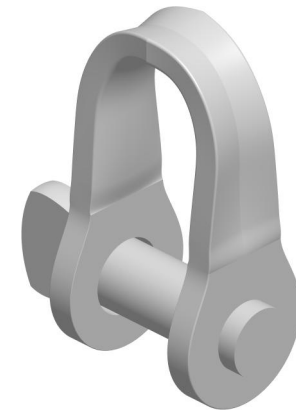
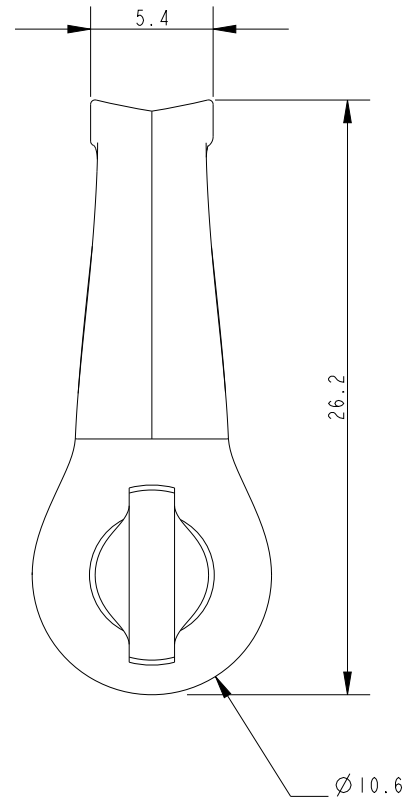


SCALE 3:1



SCALE 2:1

DIMENSIONS FOR REFERENCE ONLY
 allenbrothers.co.uk
 +44(0)1621 772477

Specification

L mm	A mm	D mm	Breaking Load kg	Max. Working Load kg	Weight g
16	9	5	1000	500	7

Title	Description
A4148-REF	Pressed Shackle