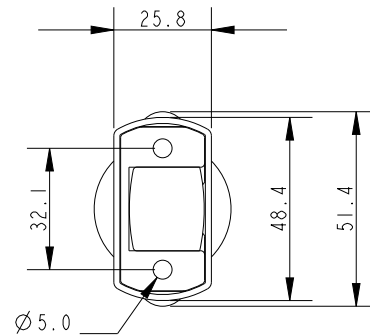


DETAIL A  
SCALE 1:2



**Specification**

Part Number	Suitable For	X = Length mm	X = Length ft	Weight g
<b>A4198</b>	-	<b>700</b>	<b>2'4"</b>	<b>141</b>
<b>A4898</b>	Optimist, Cadet	<b>609</b>	<b>2'0"</b>	<b>124</b>
<b>A4898TOP</b>	Topper	<b>685</b>	<b>2'3"</b>	<b>177</b>
<b>A4298</b>	Laser 2, Laser 3000	<b>762</b>	<b>2'6"</b>	<b>147</b>
<b>A4498</b>	470, 420, Enterprise, GP14, Pico	<b>915</b>	<b>3'0"</b>	<b>170</b>
<b>A4698</b>	Laser, RS400, Finn, 29er, RSFevd, RS200	<b>1067</b>	<b>3'6"</b>	<b>195</b>
<b>A4798</b>	B14, RS600, Int. 14, Contender	<b>1975</b>	<b>6'6"</b>	<b>347</b>

**DIMENSIONS FOR REFERENCE ONLY**  
**allenbrothers.co.uk**  
**+44(0)1621 772477**

Title	Description
<b>A4_98-REF</b>	<b>Aluminium Tiller Extension</b>