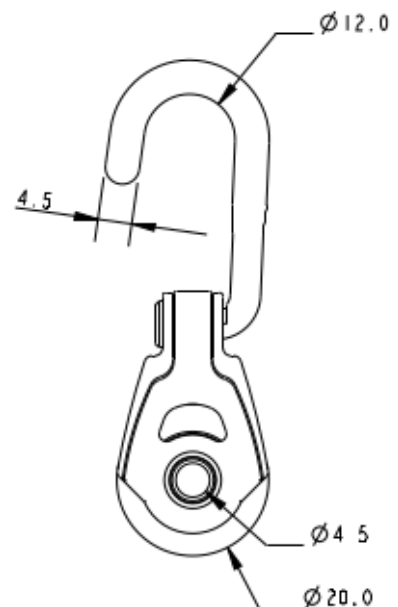
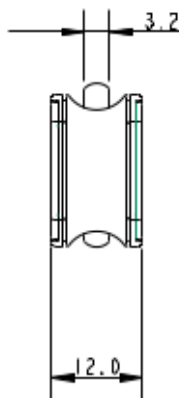
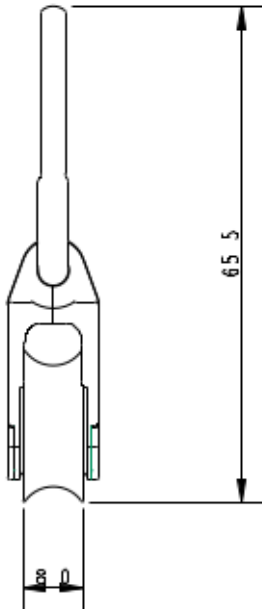


A2021PHK allen

- Product Description: Plain Bearing Single Block With Hook
- Sheave Diameter: 20mm
- Length: 65.5mm
- Width: 12mm
- Max Line Diameter: 6mm
- Breaking Load: 165Kg
- Weight: 16.4g



Details: The A2021PHK is a plain bearing block with hook. The A2021PHK is made using 100% recycled plastics and the well-known Allen Ultra-Strap. Ideal for use in elastic take up systems or applications where dynamic performance is not vital. This block looks very similar to the 20mm dynamic version. To differentiate we have changed the sheave colour to grey.