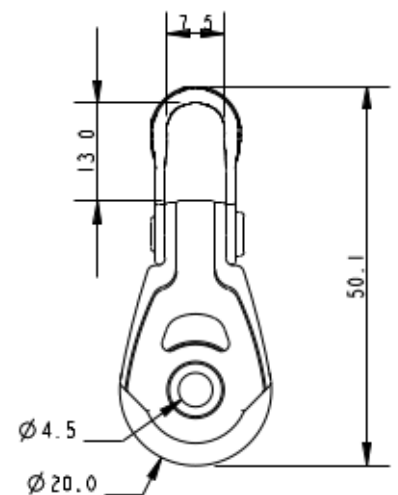
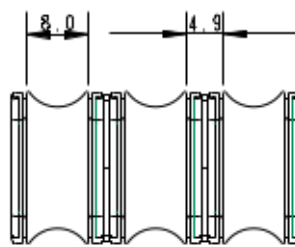
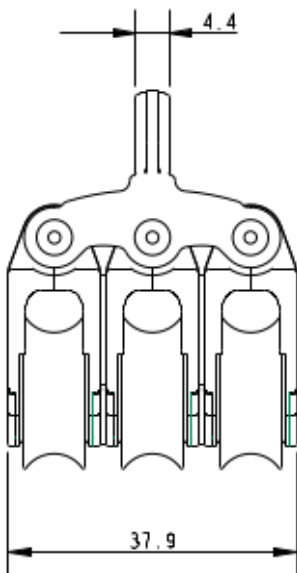


A2024P



- Product Description: Plain Bearing Triple Block
- Sheave Diameter: 20mm
- Length: 50.1mm
- Width: 37.9mm
- Max Line Diameter: 6mm
- Breaking Load: 650Kg
- Weight: 44.6g



Details: The A2024P is a plain bearing version of our A2024 dynamic cheek block. The A2024P is made using 100% recycled plastics and the well-known Allen Ultra-Strap. Ideal for elastic take up systems. This block looks very similar to the 20mm dynamic version. To differentiate we have changed the sheave colour to grey.