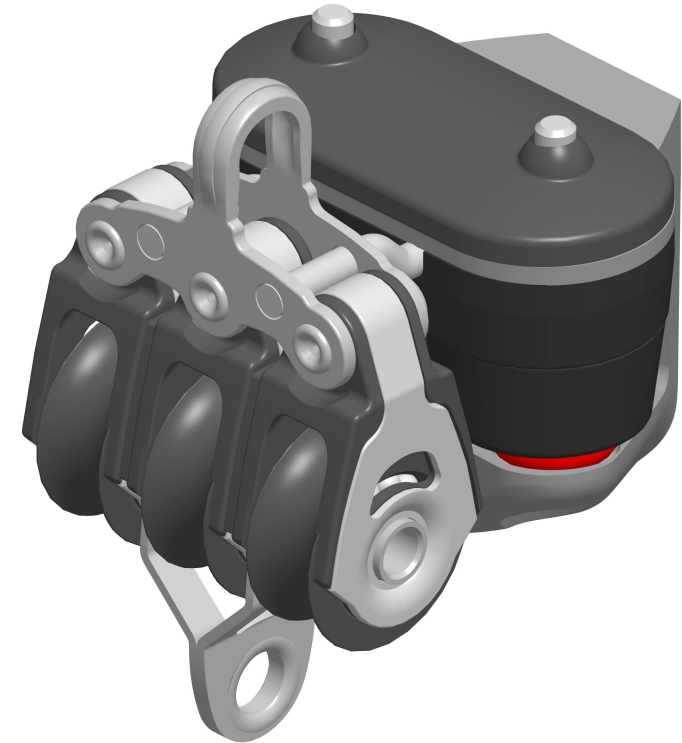
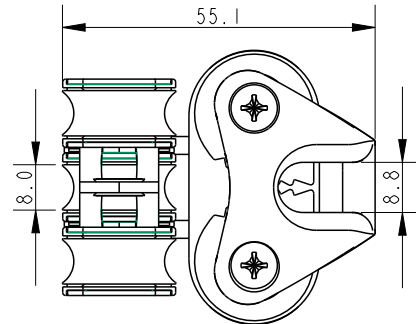
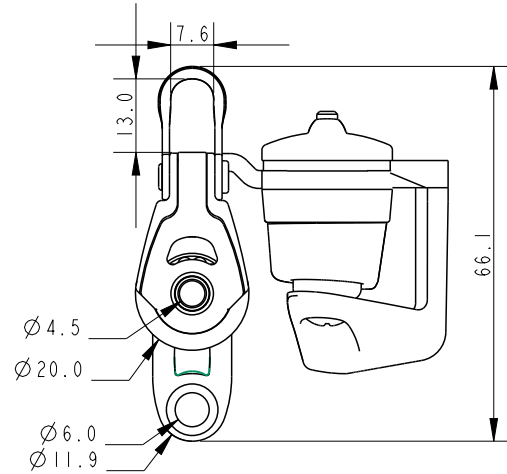


SCALE 3:4



SCALE 3:2

**DIMENSIONS FOR REFERENCE ONLY**  
 allenbrothers.co.uk  
 +44(0)1621 772477

**Specification**

Length mm	Line Diameter mm	Shackle Pin mm	Breaking Load kg	MWL kg	Weight g	Bearing Detail
66.1	77.9	-	650	320	86.9	Stainless Steel

Title	Description
<b>A2025-677-REF</b>	<b>Triple, Inverted Cleat &amp; Becket</b>