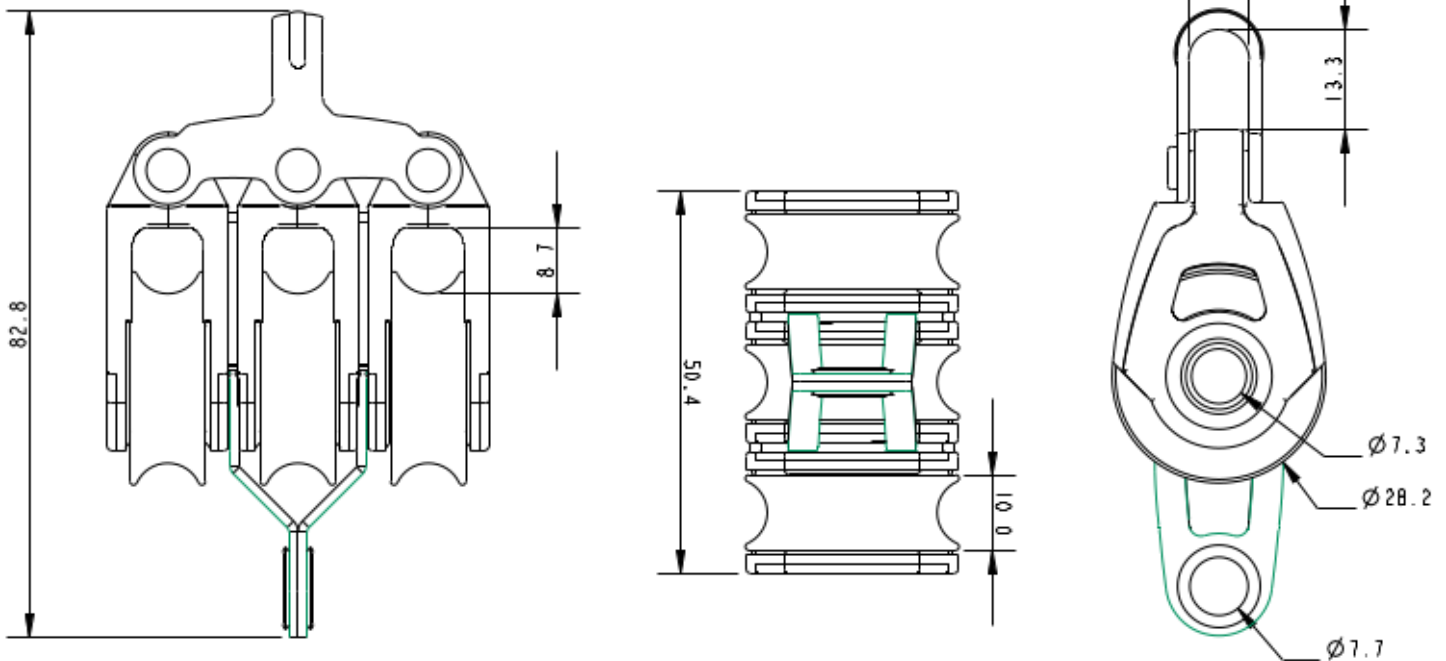


A2035P



- **Product Description:** 30mm Plain Bearing Triple Block With Becket
- **Sheave Diameter:** 30mm
- **Length:** 82.5mm
- **Width:** 50.4mm
- **Max Line Diameter:** 8mm
- **Breaking Load:** 1750Kg
- **Weight:** 105g



Details: The A2035P is a plain bearing version of our A2035 dynamic triple block. The A2035P is made using 100% recycled plastics and the well-known Allen Ultra-Strap. This triple block also features a rope friendly becket. This block looks very similar to the 30mm dynamic version. To differentiate we have changed the sheave colour to grey.