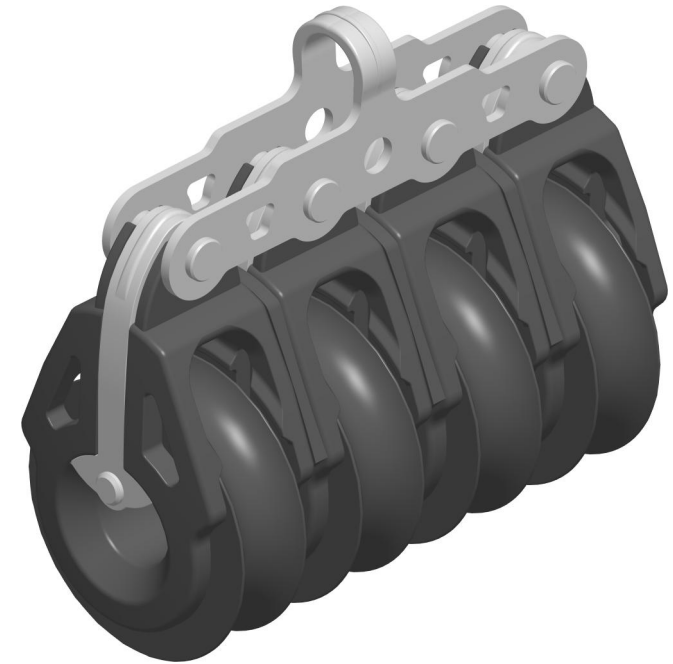
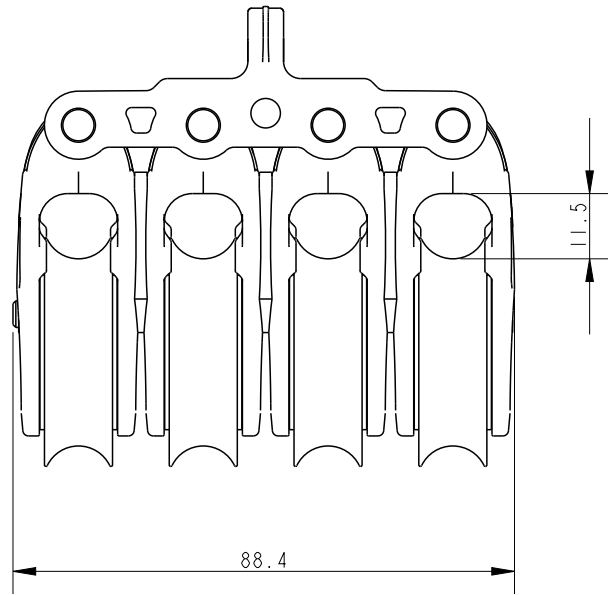
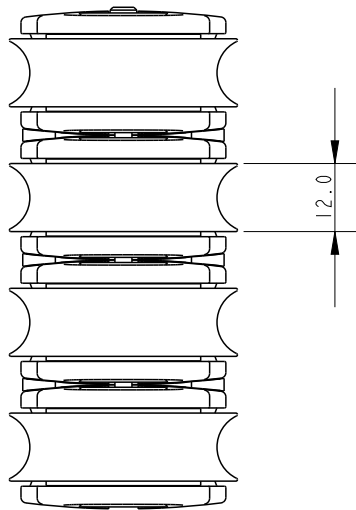


SCALE 3:4



SCALE 1:1



Specification					
Length mm	Line Diameter mm	Breaking Load kg	MWL kg	Weight g	Bearing Detail
84	10	1350	320	165	Stainless Steel

**DIMENSIONS FOR REFERENCE ONLY**  
 allenbrothers.co.uk  
 +44(0)1621 772477

Title	Description
<b>A2047-REF</b>	<b>Quadruple</b>