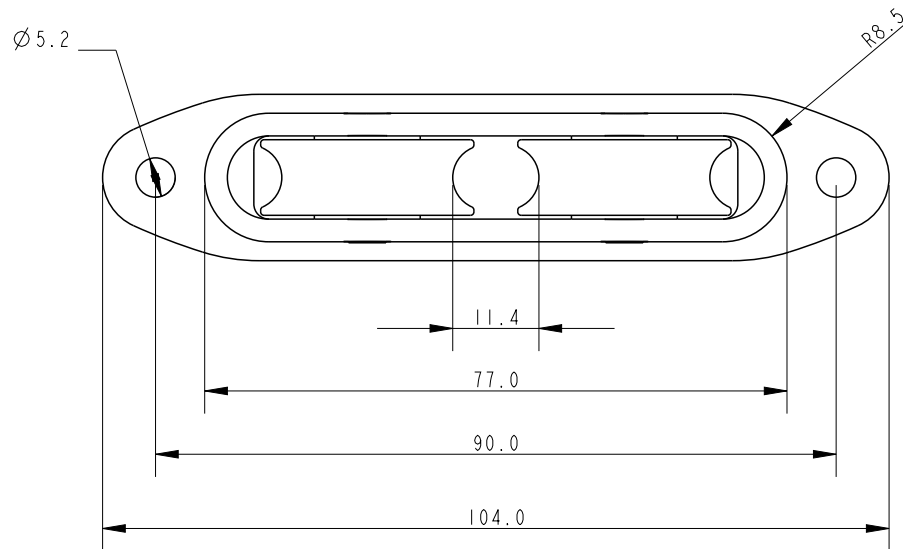


SCALE 1:1



Specification						
Length mm	Line Diameter mm	Hole Centre mm	Breaking Load kg	MWL kg	Weight g	Bearing Detail
77	8	90	650	140	45	Stainless Steel

DIMENSIONS FOR REFERENCE ONLY
 allenbrothers.co.uk
 +44(0)1621 772477

Title	Description
A2132-REF	Double Through Deck