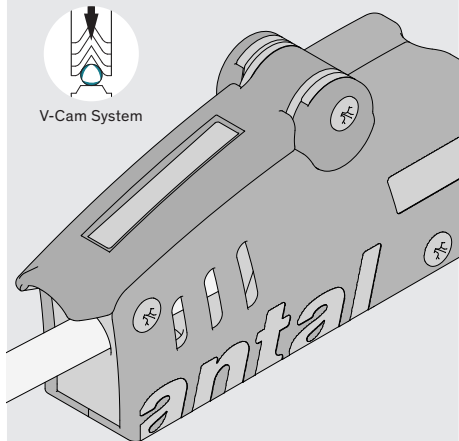


antal

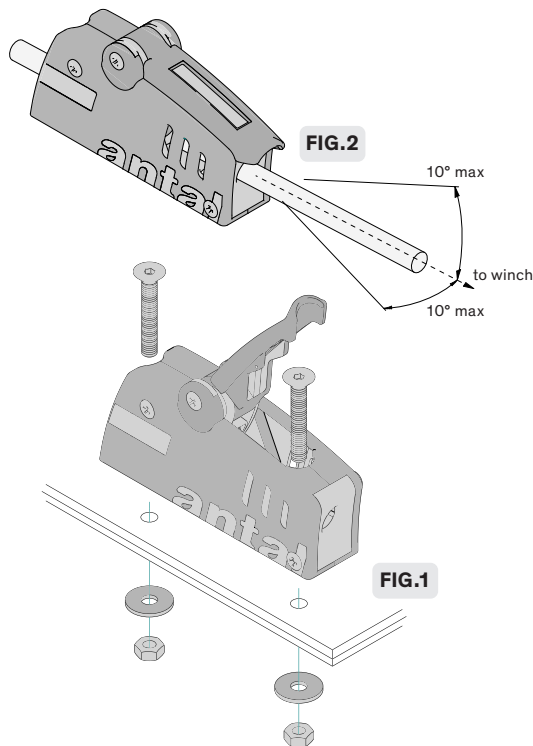
V-Cam R814



V-Cam System



www.antal.it — antal@antal.it



FEATURES

The R814 series is an update of the well-known V-Cam 814 series and the main improvements are:

- The exit ring is integrated into the base for the max resistance to lateral loads.
- 3 ° inclined base to better orient the maneuver to the winch.
- A new shape of the base to reduce friction in the recovery of the line and side slots for easy cleaning.

Like most Antal clutches, the locking system is based on a V-shaped cam (Antal patent) which offers high holding strength without damaging the line.

RANGE

3 models for 8-10, 10-12 and 12-14 mm lines in more versions: single, double, triple, quadruple and side mounting. Larger batteries quintuple and more on request.

MOUNTING

Each stopper is mounted with two screws, 4 screws for double, 6 for triple (FIG.1). Use M8 screws (DIN 7991, UNI 5933, ISO 10642) washers and nuts in AISI 316. Screws, washers and nuts are not included. Install the Clutch forward of the winch

keeping the line deflection angle as narrow as possible (max 10° is recommended) (FIG.2). Mark the screws position using the holes of the clutch base or, alternatively, for the real size template see (FIG.4). Drill the holes for the 8mm screws, lift the handle of the clutch and place the screws. To ensure a watertight seal apply sealant around the holes on the deck under the clutch base.

SIDE MOUNTING

The side mounting clutch (MOD. .../H) is supplied with an extra base valid for both left and right side, for real size template see related sheet. Mounting studs, washers and nuts are included.

USAGE

- A line can be tailed with the handle closed. The line stops automatically in the new position.
- You can release the line by opening the handle, even under load but in case of extreme loads it is much safer to remove the tension from the clutch using the winch: put the line on the winch and pull it so as to have the load on the winch and not on the clutch, open the clutch handle and release the rope

-
- 1 - Lever pin
 - 2 - Lever
 - 3 - Link
 - 4 - Handle pin
 - 5 - V-Cam pin
 - 6 - V-Cam
 - 7 - Handle
 - 8 - S.Steel reinforcement left
 - 9 - S.Steel reinforcement right
 - 10 - Entry guide left
 - 11 - Entry guide right
 - 12 - Entry pin
 - 13 - V-Cam lifter
 - 14 - Sideplate right
 - 15 - Screws Ø5 mm (x2)
L = 14 mm (only for single clutch)
 - 16 - Screws Ø5 mm (x4)
L = 30 mm (only for single clutch)
 - 17 - Sideplate left
 - 18 - Base with exit ring

from the winch.

- Loss of tension: after pulling the line with the winch, the removal of the line from the winch causes a mechanical shift of the cam. This forward movement of the cam locks the line, but produces a small loss of tension. To reduce the tension loss, open and close the clutch handle just before removing the loaded-up line from the winch.

MAINTENANCE

Refer to the exploded view to identify parts.

- For maintenance, lift the handle and spray fresh water onto all inner moving parts and through the side openings. Wait until they are dry, thus lubricate them with lubricant spray. Take care not to leave lubricant traces onto the line's bearing surface and on the V-Cam teeth, as this may reduce the clutches' grip performance.
- Completely lift the handle and lubricate the two visible Links (n. 3).
- A V-Cam R814 can be dismantled for complete servicing: remove the two mounting screws and take the clutch off the deck.
- Remove the Sideplate screws (n. 15, 16) in order to take the Sideplates off.
- Clean the inside from dirt and sea salt

ROPE CHOICE

Extensive Load tests show that choice of rope is very important for the optimal usage of the clutches. Exceeding Working Loads may damage the line cover, not the clutch. Tests reveal that the best results are achieved on Dyneema™ lines with composite Kevlar/Polyester covers, while traditional pure-Polyester covers over a Dyneema™ core prove to have poor resistance. Also "all-Polyester" core/cover versions give excellent results.

- which could cause corrosion, lubricate all moving parts, using a light grease, e.g. Teflon based.
- Ensure all internal faces of moving parts are clean and smooth. Replace any worn parts.
- Parts for V-Cam R814 clutches are available. Refer to the exploded view's numbers to order the parts.

MODEL	Ø LINE mm	TYPE	WIDTH mm	WEIGHT kg	SCREWS N x Ø mm
512.111	8/10	single	36.5	0.56	2 × Ø8
512.121		double	65.5	1.05	4 × Ø8
512.131		triple	94.5	1.50	6 × Ø8
512.141		quadruple	123.5	2.00	8 × Ø8
512.111/H		horizontal	-	0.70	2 × Ø8 + 1 × Ø5
512.112	10/12	single	36.5	0.56	2 × Ø8
512.122		double	65.5	1.05	4 × Ø8
512.132		triple	94.5	1.50	6 × Ø8
512.142		quadruple	123.5	2.00	8 × Ø8
512.112/H		horizontal	-	0.70	2 × Ø8 + 1 × Ø5
512.113	12/14	single	36.5	0.56	2 × Ø8
512.123		double	65.5	1.05	4 × Ø8
512.133		triple	94.5	1.50	6 × Ø8
512.143		quadruple	123.5	2.00	8 × Ø8
512.113/H		horizontal	-	0.70	2 × Ø8 + 1 × Ø5

CLUTCH CHOICE

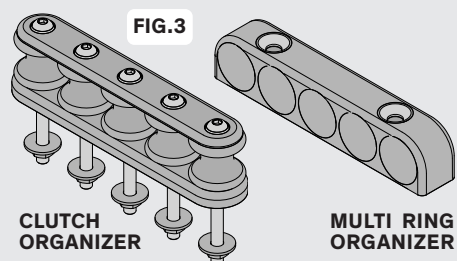
Three models available for: 8-10, 10-12 and 12-14 mm lines, lines sizes are marked on the clutch base. The maximum load depends on the diameter of the line as specified in the following table.

Ø LINE mm	MOD. 8-10	MOD. 10-12	MOD. 12-14
8	600 kg	-	-
10	850 kg	850 kg	-
12	-	1200 kg	1200 kg
14	-	-	1500 kg

The loads indicated above must never be exceeded, worn or poor quality ropes may offer lower values for which it will be necessary to maintain appropriate safety coefficients.

ORGANIZER

Multi sheave and multi ring organizers (**FIG. 3**) allow manoeuvres to be guided from the clutches to the winch. They are particularly useful with batteries of numerous clutches and/or placed very close to the winch. Although all Antal clutches are fitted with exit rings and guides at both the entry and the exit side of the line, only small line deflections are allowed to prevent damage to the clutch.



CLUTCH ORGANIZER

MULTI RING ORGANIZER

ROPE DIAMETER & CLUTCH SIZE

As shown in the previous table, two models are available for each line diameter: if a 10mm rope slips on model 10-12 then you have to switch to model 8-10. If a 12mm rope is recovered with excessive friction on the 10-12 model then you have to switch to the 12-14 model.

LABELS

Set of different labels available in English, French and Italian, respectively **MOD. 513/E, 513/F** and **513/I**. Each set includes 18 labels in 3 colors: black, green (right side) and red (left side) for a total of 54 labels.

FULL SCALE → V-CAM R814

