



V4

Performance Hardware





The Allen brothers Tony and Glenn started their business with a vision of performance sailing hardware driven by innovation and technology. The first products they produced for their own race boats were such an improvement on everything then in use, customers demanded they set up production to meet the market.

Those principles still hold true and the company has grown in the past 60 plus years to become a major exporter, selling high-performance sailing hardware to the World. This concentration on design meant tooling often had to be produced in-house and the vast majority of research, design, prototyping, tooling and production still takes place at the Allen factory in Southminster, Essex, UK.

We have invested heavily in Computer Aided Design and Manufacturing and were one of the early adopters of 3D printing for rapid prototyping in 2010. In 2018, we updated our Vertical Machining Centres and invested in new production planning software to improve output and customer service. This gives Allen the ability to match the high quality/low production volume demands of boat builders, both in catalogue and custom products, so Allen is the choice of sailboat builders as well as being a leading supplier to the aftermarket. Much of the inspiration for products comes from our elite sailors, Team Allen, Members of the British and many European Sailing Teams, especially in the high-performance classes such as the 49er and Nacra 17 foiling catamaran, have long associations with the business and their feedback and knowledge are invaluable in driving the next generation of innovative sailing products.

CONTENTS

BLOCKS	6	CLEATS & JAMMERS	39	SPARS & RIGGING	64	BLOCKS
20mm Dynamic Blocks	6	Cam Cleats	40	Boom Slides	75	
30mm Dynamic Blocks	10	Cam Cleat Accessories	41	Spinnaker Pole & Accessories	75	
High Load Blocks	15	Mainsheet Jammers	42	Rigging Screws	76	
Plain Bearing Blocks	16	Swivel Cleats	44	Wire Stud Terminals	76	
New 40mm Dynamic Blocks	18	Clamcleats®	46	Wire Eye Terminals	76	CLEATS & JAMMERS
40mm Dynamic Blocks	20	V Cleats	47	Wire Fork Terminals	77	
50mm Dynamic Blocks	22	Burgee Cleats	47	Wire 'T' Terminals	77	
60mm Dynamic Blocks	22	Mast & Deck Cleats	47	Eye Bolts	77	
High Roller Blocks	24			Rig Spanner	77	
TiiTAN & XHL Blocks	25	TRACK & KEELBAND	48	Boom's & Levers	78	
Tii Blocks	26	Mast Tracks	48			
Tii Shackles	26	Track for Travellers	49	RUDDER STOCKS & ACCESSORIES	79	TRACK & KEELBAND
Dog Bones	26	Track End Stops	49	Tiller Extensions - Carbon	79	
High Load Thimbles	27	Keelbands	49	Tiller Extensions - Aluminium	80	
Pad-Tii	27			Tiller Extension Universal Joints	80	
Ratchet Blocks	28	DECK & HULL FITTINGS	50	Rudder Stocks and Tillers	81	
Flip Flop Blocks	30	Traveller Cars	50	Transom Plates, Pintles & Gudgeons	82	DECK & HULL FITTINGS
Triple Deck Organiser	31	Self Tacking Jib System	52	Rudder Retaining Equipment	82	
Wire Blocks	32	Sliding Fairleads & Sheet Lead	52	Rudder Wing Nuts	83	
Classic Blocks	34	Track Slides	53	Rudder Pintles & Gudgeons	83	
V Cleat Blocks	34	Bow & Shroud Plates	53			
Stanchion Mounted Blocks	34	Snatch Fairleads & Lacing Hooks	53	SAILMAKERS HARDWARE	84	SPARS & RIGGING
Light Weight Plain Bearing Blocks	35	Hatch Covers	54	Sail Headboards	84	
Sheaves	36	U Bolts	55	Batten Hardware	85	
Stainless Steel Springs	37	Anchor Plates	55	Jib Hanks	85	
Snatch Blocks	38	Lacing Eyes & Eye Straps	56	Luff & Cunningham Blocks	85	
		Fairleads	58	Sail Track Slides & Slugs	87	
		Self Tapping Nuts	59	Sail Shackles	86	
		Self Bailers	60	Sail Ring	86	RUDDER STOCKS & ACCESSORIES
		Drain Sockets & Bungs	60	Thimbles	86	
		Deck Bushes	61			
		Flanged Deck Bushes	62	SHACKLES	88	
		Aluminium & Titanium Deck Bushes	62	Forged Shackles	88	
		Pad-Tii	63	Pressed Shackles	88	
				Round Body Shackles	89	
		SPARS & RIGGING	64	Strip Shackles	90	SAILMAKERS HARDWARE
		Stay & Vernier Adjusters	64	Tii-Shackles	90	
		Fast Pins, Reaching Hooks & Drop Nose Pins	65	ACCESSORIES	91	
		Clevis Pins & Split Rings	66	Aerovane Wind Indicators	91	
		Dynamic Rig Adjustment Kits	66	Burgees	92	
		Highfield Levers	67	Inglefield Clips	92	SHACKLES
		Furling Gear & Swivels	67	Tidy Clips	92	
		Goosenecks Socket Body	68	Nylon Hooks	93	
		Goosenecks	66	Stainless Steel Hooks	93	
		Gooseneck Sleeves	69	Trapeze Harness	94	
		Sheave Boxes	69	Keyball Trapeze Equipment	95	ACCESSORIES
		Mast Head Sheave Boxes	70	Trapeze Hardware	95	
		Mast Gates & Step	70	Ball Stoppers	96	
		Mast Tangs	70	Boat Hook	96	
		Spreader Hardware	71	Rowlocks & Sockets	96	
		Mast Brackets & Boom Straps	72	Toe Strap Plates & Buckles	97	
		Halyard Exit Plates	73	Splicing Kit	97	DISTRIBUTORS & MAJOR STOCKIST
		Halyard Hook Racks	73	Race Packs	98	
		Muscle Box	73	Spare & Replacement Parts	99	
		Mast & Tube Plugs	74	Merchandise	100	
		Mast Deck Chocks	74			
		Mirror Dinghy Mast Fittings	74	DISTRIBUTORS & MAJOR STOCKIST	102	PRODUCT CODE INDEX
		Mast Base Organiser	75	PRODUCT CODE INDEX	104	INDEX

Allen Brothers (Fittings) Ltd
Hallmark Industrial Estate
Southminster
Essex CM0 7EH
United Kingdom
T +44 (0)1621 774689
F +44 (0)1621 773872
E sales@allenbrothers.co.uk

Please note
Photographs and illustrations are not to scale unless specified.
Graphic Design
tracy@tasdesign.co.uk
Product Photography
andy@andyrosephotography.co.uk
Cover Photograph
Phil Jackson, Digital Sailing.

Allen products are warranted to be of merchantable quality and fit for the purpose for which they are sold. In addition, Allen products are guaranteed for life against defects in workmanship, subject to reasonable use. We will replace products which are found to have failed through manufacturing and raw material defects. The parts must have been fitted in accordance with our technical instructions, where present, and in any event following the professional guidance of our stockist or representative. No cash alternative or damages arising out of any failure will be met. While we take every reasonable effort to ensure the accuracy of specifications published in the Allen catalogue, website and marketing materials, no liability will be accepted for errors and omissions. In the unlikely event of a claim, please return the part to Allen Brothers with a description of the circumstances. Your statutory rights are not affected.



Innovative Design and Engineering Solutions for Manufacturers.

Here at Allen, we are much more than just marine hardware specialists. We are engineering experts and work with a wide variety of companies in different sectors, such as; medical equipment, automotive parts, window manufacturing, public and defence sector, theatre, advertising, aviation and much more.

We are able to do this due to the multiplicity of in-house resources. Our close-knit team of engineers and designers work to deliver premium solutions for custom or mass-production jobs, and as an ISO9001 accredited business, we are capable of mass manufacturing high-quality products as well as ensuring a high level of craftsmanship is carried out on all custom items.

As a British, family-owned business, we ensure 100% of our products are designed, manufactured and assembled in-house at our factory in Essex. All our materials, where possible, are sourced from within the UK. We also guarantee a competitive and fair price for any job we undertake.

If you have any custom requirements, big or small, marine or non-marine, don't hesitate to get in touch to see how we can solve your problems.

Allen In-house resources include:

Design & CAD modelling – using advanced PTC Creo CAD software our design team can quickly develop new ideas and designs into computer models, which can be structurally assessed with our Ansys computer simulated stress analysis software. Prototype models can be seen within hours using our Dimension 3D part printer.

Tool making - finished designs are seamlessly progressed through the tool making stages using the parametric features of PTC Creo tool design and NC machining software. Our toolmakers can produce single or multi-impession tools for injection moulding, sheet metal pierce and blank tools, secondary operation form tools, assembly jigs and fixtures.

Component parts - our factory is equipped to manufacture a diverse range of parts. So we can be particularly flexible in the production of short-run specialist parts, and low to medium volume quantities.

CNC injection moulding - we are experts in the use of advanced engineering polymers and composites such as carbon fibre filled acetals and nylons.

CNC turned parts - our 5 axis sliding head lathes produce high precision parts in all materials.

CNC sheet metal forming – Our presses produce pierced and blanked parts, with secondary forming.

CNC milled parts – 2 HAAS 3-axis vertical milling centres allow us to make precision milled parts in a range of material from marine grade 6082 aluminium to Brass & Acetal.

Fabrication - our versatile and skilled workforce can provide fully assembled products, using a range of techniques such as welding, drilling, riveting, threaded fasteners, adhesives, pad-printing and packing.

Sales and distribution - Our efficient and dedicated sales team is ready to take your orders and will endeavour to dispatch all orders received before 3 pm on the same day, if in stock. Worldwide distribution can be arranged by our export manager.



20mm

20mm



"You can't go wrong with the A2020. Its reliable and smooth, by far my favourite 20mm block."

Stuart Bithell

Diego Botin & Iago Marra – Credit Lloyd Images

20mm



A2021 A2026 A2026M

Part	Description	Length mm	Max Line Dia. mm	Shackle Pin mm	Breaking Load kg	MWL kg	Weight g	Sheave Dia. mm	Fixing Hole Centres mm
A2021	Single Multi Function	35	6	-	350	115	11.5	-	-
A2026	Single Cheek	45	6	4	350	115	15.3	-	-
A2026M	Single Composite Cheek	33	6	-	540	115	12	-	18

Key for load rating tables

Maximum Working Load (MWL)

The maximum load that the block will endure with repeated sheave movement

Breaking Load

The load at which a major block failure is likely to occur

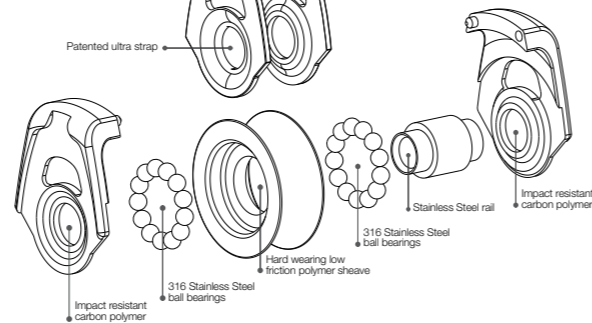


A2020XHL-BLACK A2020XHL-BLUE A2020XHL-GOLD A2020XHL-ORANGE A2020XHL-PURPLE A2020XHL-SILVER

Part	Description	Length mm	Max Line Dia. mm	Breaking Load kg	MWL kg	Weight g
A2020XHL-BLACK	Extreme High Load Black	29	6	900	400	17
A2020XHL-BLUE	Extreme High Load Blue	29	6	900	400	17
A2020XHL-GOLD	Extreme High Load Gold	29	6	900	400	17
A2020XHL-ORANGE	Extreme High Load Orange	29	6	900	400	17
A2020XHL-PURPLE	Extreme High Load Purple	29	6	900	400	17
A2020XHL-SILVER	Extreme High Load Silver	29	6	900	400	17

20mm Dynamic Blocks

20mm Dynamic Blocks featuring the patented Allen Dynamic bearing system which provides an unrivalled weight to performance ratio. This is coupled with our high strength and rope friendly stainless steel ultra-strap; making them amongst the strongest and most reliable ball bearing blocks on the market. The range is available with different types of accessories including lacing eyes, hooks, swivels and cleats. The range also features a central rivet that provides great options as a tie on becket. You'll find a 20mm block to suit most control line applications.



Part	Description	Length mm	Max Line Dia. mm	Shackle Pin mm	Breaking Load kg	MWL kg	Weight g	Sheave Dia. mm	Fixing Hole Centres mm
A2020	Single	37	6	-	540	115	10	-	-
A2020HL	Single High Load	37	6	-	540	250	17.5	20	-
A2020HL-4036	Single High Load With Lacing Eye	52	6	-	540	250	21	20	-
A2020TI3	Single Ti3-On	29	6	-	540	115	8	-	-
A2020TI3HL	Single High Load Ti3-On	29	6	-	540	250	14	-	-
A2020TII	Single Tii-On	29	6	-	540	115	8	-	-



Part	Description	Length mm	Max Line Dia. mm	Shackle Pin mm	Breaking Load kg	MWL kg	Weight g	Fixing Hole Centres mm
A2020SHK	Single With Swivel Hook	58	6	-	350	115	19	-
A2020SC	Single With Swivel Head	49	6	4	350	115	15.4	-
A2020LZ	Stand-Up Fixed	43	6	-	540	115	15.4	27
A2020-4035	Single With P-Clip	60	6	5	540	115	15	-
A2020-4036	Single With Offset Lacing Eye	52	6	-	540	115	15	15
A2020F	Single With Fork Head	39	6	4	350	115	15	-
A2021HL	Single Multi Function With High Load Sheave	35	6	-	540	250	11.5	-
A2026HL	Cheek Block High Load	45	6	-	350	350	21.3	-
A2021SC	Shackle Swivel Head	49	6	4	350	115	15.4	-
A2021F	Single Fork Head	48	6	4	350	115	15.2	-
A2021HK	Single With Fixed Hook	65	6	-	165	115	17.5	-



Part	Description	Length mm	Max Line Dia. mm	Shackle Pin mm	Breaking Load kg	MWL kg	Weight g	Sheave Dia. mm
A2028	Back To Back	52	6	-	540	115	20	-
A2028HL	Back To Back High Load	52	6	-	540	300	32	20
A2029	Linked Singles	70	6	-	540	115	21.8	-



Part	Description	Length mm	Max Line Dia. mm	Shackle Pin mm	Breaking Load kg	MWL kg	Weight g	Sheave Dia. mm
A2022	Double	48	6	-	600	225	31.6	-
A2022HL	Double High Load	48	6	-	600	325	42	20
A2022Tii	Tii-On Double	29	6	-	600	225	15.6	-
A2022F	Double Fork Block	51	6	5	600	225	15.5	-
A2022A	Articulating Double	48	6	-	600	200	29.1	-
A2023	Double With Becket	59	6	-	600	225	33.5	-



Part	Description	Length mm	Max Line Dia. mm	Shackle Pin mm	Breaking Load kg	MWL kg	Weight g	Fixing Hole Centres mm
A2022LZ	Double Stand Up Fixed	53	6	-	600	225	34	28
A2022SC	Double With Swivel	56	6	4	350	225	35	-
A2023HK	Double With Becket And Hook	110	6	-	600	225	60.2	-
A2023SHK	Double With Swivel Hook	-	6	-	500	225	35	-
A2126M	Double Composite Cheek	33	6	-	540	225	35	18
A5849	Deck Mounting Plate With 2 A2021F	51	6	4	350	115	50	25



Part	Description	Length mm	Max Line Dia. mm	Shackle Pin mm	Breaking Load kg	MWL kg	Weight g	Fixing Hole Centres mm
A2024	Triple	50	6	-	650	320	47.9	-
A2024HL	Triple High Load	50	6	-	650	400	63	20
A2024F	Triple With Fork	51	6	5	650	320	48	-
A2025	Triple With Becket	66	6	-	650	320	52.9	-
A2024A	Articulating Triple	50	6	-	650	300	42.9	-



Part	Description	Length mm	Max Line Dia. mm	Shackle Pin mm	Breaking Load kg	MWL kg	Weight g
A2024-677	Triple With Inverted Cleat	55	6	-	650	320	86.9
A2025-677	Triple, Inverted Cleat & Becket	66	6	-	650	320	86.9
A2027	Triple, Cleat & Becket	75	6	-	650	320	86.9
A2027NB	Triple With Extended Cleat	75	6	-	650	320	98



Part	Description	Length mm	Max Line Dia. mm	Shackle Pin mm	Breaking Load kg	MWL kg	Weight g	Fixing Hole Centres mm
A2121	Single Through Deck	54	6	-	350	105	10.8	42
A2121HL	Single Through Deck Block With Steel Sheave	54	6	-	400	-	10.8	42
A2122	Double Through Deck	60	6	-	350	105	20	64
A2122HL	Double Through Deck Block With Steel Sheave	75	6	-	350	-	20	63
A2123	Flip Flop Block	-	5	-	350	105	19	16
A4251	Single Through Deck	32	6	-	400	105	30	25 x 24
A4502	Stand Up Single	32	6	-	350	105	22	27 x 19

Part	Description	Length mm	Max Line Dia. mm	Shackle Pin mm	Breaking Load kg	MWL kg	Weight g	Fixing Hole Centres mm
A4505	Double Upstand Block	32	6	-	350	105	94	27 x 19
A4710	Lightweight Stand Up Single	34	6	-	350	105	19	26
A2026-PROFIX	Cheek Adaptor For A2021	-	-	-	-	-	3.8	-
A5404S	Shackle Head For A2021	15	-	4	780	-	4.4	-

30mm Blocks



A2030
 "Perfect for the 49er mainsheet system,
 I wouldn't use anything else"
 Dylan Fletcher

Dylan Fletcher & Stu Bithell - 49er

30mm Dynamic Blocks

Allen 30mm Dynamic Blocks use the same high quality dynamic bearing, materials and precision engineering as our 20mm Dynamic Block range. Our high strength and rope friendly stainless steel ultra-strap makes them amongst the strongest and most reliable ball bearing blocks in their class. The range is available with different types of accessories including lacing eyes, hooks, swivels and cleats. The range also features a central rivet that provides great options as a tie on becket.

You'll find a 30mm block to suit most control line applications.



Part	Description	Length mm	Max Line Dia. mm	Breaking Load kg	MWL kg	Weight g
A2030XHL-BLACK	Extreme High Load Black	43	8	1250	500	41
A2030XHL-BLUE	Extreme High Load Blue	43	8	1250	500	41
A2030XHL-GOLD	Extreme High Load Gold	43	8	1250	500	41
A2030XHL-ORANGE	Extreme High Load Orange	43	8	1250	500	41
A2030XHL-PURPLE	Extreme High Load Purple	43	8	1250	500	41
A2030XHL-SILVER	Extreme High Load Silver	43	8	1250	500	41



Part	Description	Length mm	Max Line Dia. mm	Shackle Pin mm	Breaking Load kg	MWL kg	Weight g
A2030	Single	49	8	-	750	140	26
A2030F	Single Fork Head With Removable Pin	56	8	5	450	140	31
A2030F-873	Single Fork Head With Kicker Key	77	8	5	450	140	40
A2030HL	Single High Load	49	8	-	800	300	39
A2030Tii	Single Tii-On	42	8	-	750	140	24



Part	Description	Length mm	Max Line Dia. mm	Shackle Pin mm	Breaking Load kg	MWL kg	Weight g	Hole Centres mm
A2030HLF	Single Fork Head With High Load Sheave	56	8	5	750	300	43	
A2030HLF-873	Single High Load Dynamic Fork Head With SA.873	77	8	5	750	300	52	
A2030TiiHL	Single Tii-On High Load	41	8	-	800	300	37	
A2031	Single Multi Function	47	8	4	500	140	28	-
A2036	Cheek Block	59	8	4	500	140	35	-
A2036M	Composite Cheek	50	8	-	400	140	24	30



Part	Description	Length mm	Max Line Dia. mm	Shackle Pin mm	Breaking Load kg	MWL kg	Weight g	Hole Centres mm
A2030SC	Swivel Block	66	8	4	450	140	36	-
A2031F	Single Fork Head	59	8	4	450	140	36	-
A2031SC	Single Swivel Fork	63	8	4	400	140	37	-
A2031XHL-873	Extreme High Load Block With A.873	48	8	-	1000	500	55	-
A9030	TiiTAN Block	40	8	-	1250	500	29	-
A9031-873	TiiTAN Block ILCA Vang Block	48	8	5	1000	500	43	-



Part	Description	Length mm	Max Line Dia. mm	Shackle Pin mm	Breaking Load kg	MWL kg	Weight g	Hole Centres mm
A2030SHK	Single With Swivel Hook	70	8	-	450	140	35	-
A2030LZ	Stand-Up Fixed	59	8	-	500	140	30.2	34
A2039FIDDLE	Single With Fiddle	85	8	4	600	140	47	-
A2039-CAM	Single With Fiddle And Cleat	88	8	4	600	140	86.2	-
A2039-CAM-LDC	Single With Fiddle, Cleat and Hook	100	8	-	600	140	86	-



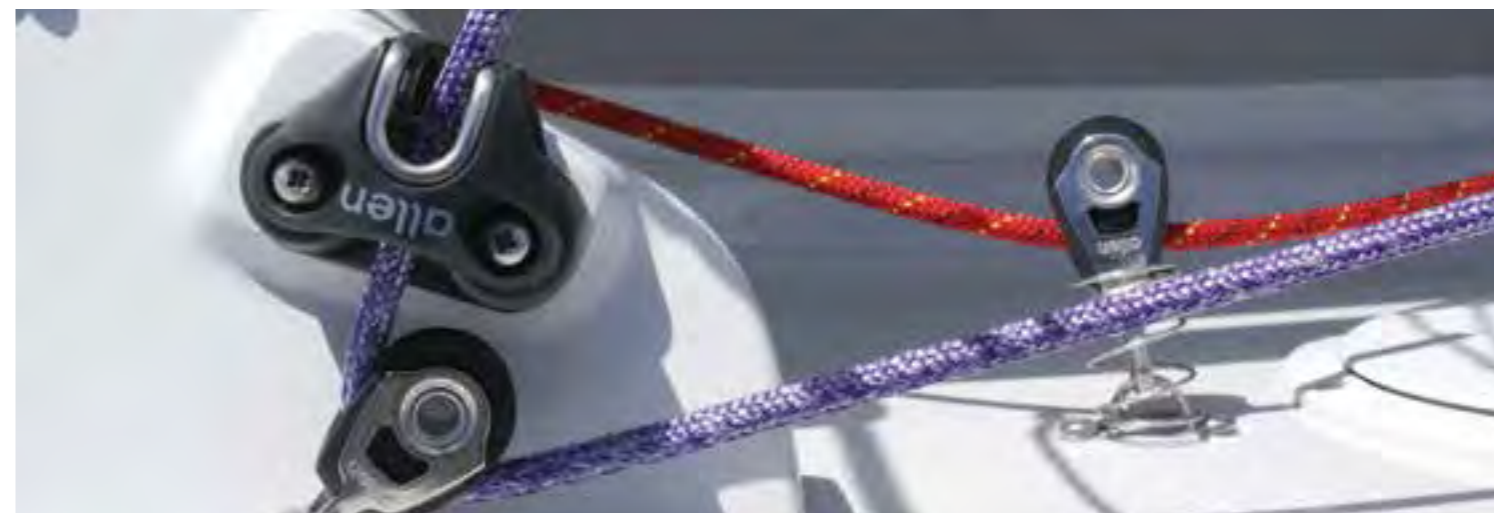
Part	Description	Length mm	Max Line Dia. mm	Shackle Pin mm	Breaking Load kg	MWL kg	Weight g
A2032A	Articulating Double	63	8	-	1250	280	61.6
A2032	Double	63	8	-	1250	280	72
A2032HL	Double High Load Sheave	63	8	-	1250	450	87
A2032Tii	Double Tii-On	42	8	-	1250	280	48
A2033	Double With Becket	76	8	-	1250	280	77
A2136M	Double Composite Cheek	50	8	-	400	280	36.6



Part	Description	Length mm	Max Line Dia. mm	Shackle Pin mm	Breaking Load kg	MWL kg	Weight g
A2034A	Articulating Triple	63	8	-	1750	490	82.2
A2034	Triple	63	8	1750	490	103	-
A2034HL	Triple High Load	63	8	1750	650	132	-
A2035	Triple With Becket	83	8	1750	420	114	-



Part	Description	Length mm	Max Line Dia. mm	Shackle Pin mm	Breaking Load kg	MWL kg	Weight g
A2036-PROFIX	Cheek Adaptor For A2031	-	-	-	-	-	3.8
A5405S	Shackle Head For A2031	19	-	5	1250	-	9



Part	Description	Length mm	Max Line Dia. mm	Shackle Pin mm	Breaking Load kg	MWL kg	Weight g
A2030R2	Two Singles On Ring	-	8	-	750	140	82.5
A2030R3	Three Singles On Ring	-	8	-	750	140	108.5



Part	Description	Length mm	Max Line Dia. mm	Shackle Pin mm	Breaking Load kg	MWL kg	Weight g
A2034-676	Triple With Inverted Cleat	65	8	-	1750	490	193
A2035-676	Triple, Becket And Inverted Cleat	83	8	-	1750	490	200
A2037	Triple, Cleat & Becket	83	8	-	1750	490	208



Part	Description	Length mm	Max Line Dia. mm	Shackle Pin mm	Breaking Load kg	MWL kg	Weight g
A2038	Back To Back	78	8	-	750	140	49
A2038HL	Back To Back High Load	78	8	-	750	600	76
A2039	Linked A2030 Blocks	94	8	-	750	140	52
A2030-40	Linked 30 Andd 40 Blocks	110	8/10	-	750	140	63



Part	Description	Length mm	Max Line Dia. mm	Shackle Pin mm	Breaking Load kg	MWL kg	Weight g	Hole Centres mm
A2131	Single Through Deck	47	8	-	500	140	25.6	60
A2131HL	Single Through Deck Block With Steel Sheave	47	8	-	500	-	25.6	60
A2132	Double Through Deck	77	8	-	500	140	45	90
A2132HL	Double Through Deck Block With Steel Sheave	77	8	-	500	-	-	-



Part	Description	Length mm	Max Line Dia. mm	Shackle Pin mm	Breaking Load kg	MWL kg	Weight g	Hole Centres mm
A2133	Flip Flop Block	-	8	-	700	140	53	20
A2133-677	Flip Flop Block With A.677 Cleat	-	8	-	700	140	119	20
A2133-77	Flip Flop Block With A..77 Cleat	-	8	-	700	140	128	20
A4101	Upstand Block	45	8	-	850	140	57	25
A4111	Double Upstand Block	45	8	-	850	140	46	47 x 25

High Load Blocks

High Load Blocks fit between the standard dynamic range and the XHL range. The blocks feature a stainless-steel sheave which runs on a double race of stainless-steel ball bearings. By utilising a stainless-steel sheave with a slight V shape profile, the Allen High Load range offers the ability to be paired with both wire and Dyneema®. This design also reduces deformation of the sheave under high static loads. These combinations result in less friction, higher working loads, better performance and durability over the acetal sheave Dynamic Block range.

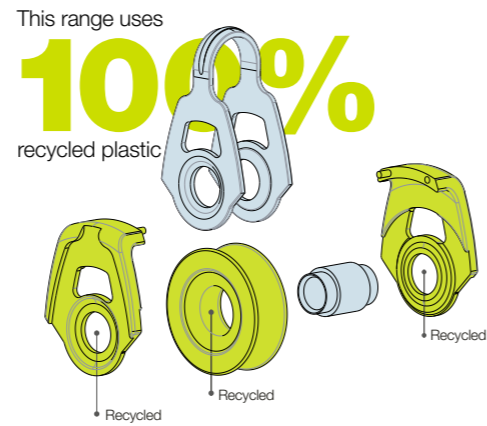


20mm

Part	Description	Length mm	Max Line Dia. mm	Shackle Pin mm	Breaking Load kg	MWL kg	Weight g	Sheave Dia. mm
A2020HL	Single High Load	37	6	-	540	250	17.5	20
A2020HL-4036	Single High Load With Lacing Eye	52	6	-	540	250	21	20
A2022HL	Double High Load	48	6	-	600	325	42	20
A2024HL	Triple High Load	50	6	-	650	400	63	20
A2028HL	Back To Back High Load	52	6	-	540	300	32	20

30mm

Part	Description	Length mm	Max Line Dia. mm	Shackle Pin mm	Breaking Load kg	MWL kg	Weight g	Sheave Dia. mm
A2030HL	Single High Load	49	8	-	800	300	39	30
A2030HLF	Single Fork Head With High Load Sheave	56	8	5	750	300	43	30
A2030TiiHL	Single Tii-On High Load	41	8	-	800	300	37	30
A2032HL	Double High Load Sheave	63	8	-	1250	450	87	30
A2034HL	Triple High Load	63	8	-	1750	650	132	30
A2038HL	Back To Back High Load	78	8	-	750	600	76	30



Plain Bearing Blocks



The new range of plain bearing blocks is made using 100% recycled plastics as well as 20% less material than the previous version. Using the outer cheek and strap from the 20 and 30mm dynamic range allows us to manufacture this new range more efficiently, whilst helping to reduce the long-term impact of plastics and un-recyclable materials on the environment. More Eco-friendly they also feature a grey sheave to differentiate them from the existing dynamic range, which sheave is Black. Plain bearing blocks offer great static loading capabilities at a low weight and cost, making them perfect for take-up systems or applications that don't require high dynamic performance.

Part	Description	Length mm	Max Line Dia. mm	Breaking Load kg	Weight g	Sheave Dia. mm	Fixing Hole Centres mm
20mm A2020P	Single	37	6	540	10	20	-
A2020P-4035	Single With P-Clip	62.4	6	540	13.9	20	-
A2020P-4036	Single With Lacing	52	6	540	13.9	20	15
A2026P	Single Cheek	45	6	350	14.2	20	-
A2020PSC	Single With Swivel	53	6	350	18	20	-
A2020PSHK	Single With Swivel	57.7	6	350	17.9	20	-
A2020PTi3	Plain Bearing Ti3-On	29	6	540	7	20	-
A2020PTii	Tii-On	29	6	540	7	20	-
A2021P	Single Multi-Function Single	35	6	350	10.4	20	-
A2021PHK	Single With Hook	65.5	6	165	16.4	20	-
A2022P	Double	47.6	6	500	29.4	20	-
A2022PSHK	Plain Bearing Double With Swivel Hook	57.7	6	500	32	20	-
A2023P	Double With Becket	59	6	500	31.2	20	-
A2024P	Triple	50.1	6	650	44.6	20	-
A2025P	Triple With Becket	66	6	650	49.6	20	-
A2020PLZ	Single Stand Up Fixed	43	6	540	14.3	20	27
A2121P	Through Deck Single	54	6	400	10.8	20	42
A2122P	Plain Bearing Double Through Deck Block	75	6	350	20	20	63



Part	Description	Length mm	Max Line Dia. mm	Breaking Load kg	Weight g	Sheave Dia. mm	Fixing Hole Centres mm
30mm A2030P	Single	49	8	750	23	30	-
A2030PF	Single With Fork Head and Removable Pin	56	8	600	28	30	-
A2030PF-873	Single With Fork Head and Vang Key	77	8	600	37	30	-
A2036P	Single Cheek	58.7	8	500	32	30	-
A2030PSC	Single With Swivel	66.3	8	600	33	30	-
A2030PSHK	Single With Swivel Hook	70.4	8	450	32	30	-
A2031P	Single Multi-Function	46.6	8	750	25	30	-
A2032P	Double	64	8	1250	66	30	-
A2033P	Double With Becket	76	8	1250	71	30	-
A2034P	Triple	62.6	8	1750	94	30	-
A2035P	Triple With Becket	82.5	8	1750	105	30	-
A2030PLZ	Single Stand Up Fixed	59	8	500	27.2	30	-
A2131P	Plain Bearing Single Through Deck Block	47	8	500	25.6	30	60
A2132P	Double Through Deck Block	104	8	500	45	30	60

New 40mm Dynamic Blocks Available 2023

40MM BLOCKS



Jeepster, J70 – Credit: Tania Hutchings

Introducing our new, high strength, high performing 40mm dynamic block range designed to meet modern sailing requirements. The new 40mm dynamic block range will be manufactured using cutting edge technology and materials and features a completely new cheek design.

The result is a longer lasting and higher performing block which will be available in a wider variety of designs to suit more applications.

This new range will still feature the Allen dynamic bearing technology – twin rows of stainless steel ball bearing running on a stainless steel rail. Ideal for both keelboats and dinghies.

This new range will be available in early 2023 and is expected to grow to include further variations.



Part	Description	Breaking Load kg	MWL kg	Length mm	Max Line Dia. mm	Shackle Pin mm	Weight g
A20401	Single With Swivel Head	750	225	78	10	4	52
A20401S	Single With Strap	750	225	65	10	-	40
A20401S-2030	40 & 30mm Linked Singles	750	140	108	8	-	*66
A20401H	Single With Hook	750	225	125	6	-	*50
A20401-677	Single With 677 Cleat	750	225	78	6	4	
A20401B	Single With Becket	750	225	98	10	4	*56
A20401B-677	Single With Becket And 677 Cleat	750	225	98	6	4	
A20401BF	Single With Becket And Fiddle	750	225	125	10	4	*75
A20401BF-77	Single With Becket, Fiddle And 77 Cleat	750	225	125	6	4	
A20401BFH	Single With Becket, Fiddle And Hook	500	225	153	6	4	
A20401BFH-77	Single With Becket, Fiddle, Hook And 77 Cleat	500	225	153	6	4	
A20401C	Single Cheek	750	225	62	10	-	34
A20401CB	Single Cheek With Becket	750	225	72	10	-	*50
A20401F	Single With Fiddle	750	225	107	10	4	*66
A20401F-77	Single With Fiddle And 77 Cleat	750	225	107	6	4	
A20401FH	Single With Fiddle And Hook	500	225	135	6	4	
A20401FH-77	Single With Fiddle, Hook And 77 Cleat	500	225	135	6	4	
A20401SLZ	Single With Lacing Eye And Spring	750	225	78	10	-	*50
A20402	Double	1100	450	78	10	5	*90
A20402B	Double With Becket	1100	450	98	10	5	*96
A20403	Triple	1100	675	78	10	5	
A20403-77	Triple With 77 Cleat	1100	675	98	6	5	
A20403B	Triple With Becket	1100	675	78	10	5	
A20403B-77	Triple With Becket And 77 Cleat	1100	675	98	6	5	
A20404	Quad	1100	900	78	10	5	

40mm Dynamic Blocks Allen 40mm Dynamic Blocks are built using a light weight composite cheek with a rope friendly, light weight stainless steel anchor strap and patented Allen dynamic bearing system. The range features a large central hole, which provides great options for tie-on becketts and is available with a variety of accessories, making it the suitable choice for demanding applications. These include dinghy mainsheets, jib and spinnaker sheeting systems as well as keelboat control lines.



Diam 24 © Steve Holloway



Part	Description	Length mm	Max Line Dia. mm	Breaking Load kg	MWL kg	Weight g
A2042	Double	84	10	1350	320	89.0
A2045	Triple	84	10	1350	320	129
A2045B	Triple With Becket	84	10	1350	320	149
A2047	Quad	84	10	1350	320	165

40mm



A2040SC-676 A2040SC-677 A2041 A2041-676 A2041-677 A2041-677HK



A2043 A2043-676 A2043-677 A2044 A2044-676 A2044-677 A2044-677HK

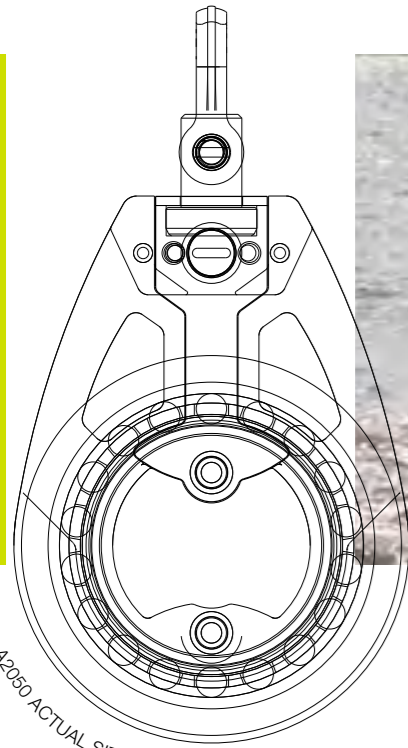
Part	Description	Length mm	Max Line Dia. mm	Shackle Pin mm	Breaking Load kg	MWL kg	Weight g
A2040SC-676	Single With Swivel And A.676 Cam Cleat	73	10	4	800	180	142
A2040SC-677	Single With Swivel And A.677 Cam Cleat	73	6	4	800	180	107
A2041	Single With Swivel And 20mm Fiddle Block	100	10	4	800	180	86
A2041-676	Single With Swivel, 20mm Fiddle Block And A.676	100	10	4	800	180	140
A2041-677	Single With Swivel, 20mm Fiddle Block And A.677	100	6	4	800	180	128
A2041-677HK	Single With Swivel, Fiddle Block, A.677 And Hook	100	6	4	500	180	140
A2043	Single With Swivel And Becket	100	10	4	800	180	79
A2043-676	Single With Swivel, Becket And A.676	100	10	4	800	180	157
A2043-677	Single With Swivel, Becket And A.677	100	6	4	800	180	152
A2044	Single With Swivel, 20mm Fiddle Block And Becket	122	10	4	800	180	100
A2044-676	Single With Swivel, Fiddle Block, Becket And A.676	122	10	4	800	180	152
A2044-677	Single With Swivel, Fiddle Block, Becket And A.677	122	6	4	800	180	147
A2044-677HK	Single With Swivel, Fiddle Block, Becket A.677 And Hook	122	6	-	800	180	167



Part	Description	Length mm	Max Line Dia. mm	Shackle Pin mm	Breaking Load kg	MWL kg	Weight g	Hole Centres mm
A2040XHL-BLUE	Extreme High Load Available in six colours: Blue, Black, Silver, Gold, Orange, Purple.	54	9	-	1500	650	71	-
A2040	Single	64	10	-	800	180	36.4	-
A2040B	Removable Bolt Block	64	10	-	800	180	37.2	-
A2040HK	Single With Hook	110	10	-	500	180	68	-
A2040SC	Swivel	73	10	4	800	180	46.5	-
A2040Tii	Tii-On Single	58	10	-	800	180	34.5	-
ATII-LOCK-40	Tii-Lock-40	15	-	-	-	-	2	-
A2046	Cheek	62	10	-	800	180	33.0	35
A2040-4222ASS	Single With Swivel Plate And Spring	78	10	-	800	180	69	-
A2040LZ	Single With Lacing Eye And Spring	77.5	10	-	800	180	45	34

50 & 60mm Dynamic Blocks

Allen 50mm Dynamic Blocks utilise our patented Dynamic bearing technology, the high quality stainless steel ball bearings running on stainless steel rails provides unsurpassed performance under load. The large central hole for tie-on becket requirements gives this block range a distinctive style and significant weight reduction and is available with a variety of accessories. Suitable for numerous demanding applications on boats, including Catamarans and Keelboats, the multi blocks provides great free running performance under load.



Team Provezza - Petticrows Dragon - Credit: Paul Manning

50mm

60mm

Key for load rating tables

Maximum Working Load (MWL)

The maximum load that the block will endure with repeated sheave movement

Breaking Load

The load at which a major block failure is likely to occur



Part	Description	Length mm	Max Line Dia. mm	Shackle Pin mm	Breaking Load kg	MWL kg	Weight g	Hole Centres mm	Sheave Dia. mm
A2050	Single	95	10	4	900	300	73	-	50
A2060	Single	118	12	5	1000	500	126	-	60
A2050Tii	Single Tii-On	72	10	-	900	300	61	-	50
A2060Tii	Single Tii-On	84	10	-	1400	700	91	-	60
A2050C	Single Cheek Block	96	10	-	900	300	80	51	50
A2060C	Single Cheek Block	115	12	5	1000	500	149	60	60
A2052	Double	100	10	4	950	450	148	-	50
A2062	Double	130	12	5	1250	600	255	-	60
A2053	Double With Becket	136	10	4	950	450	160	-	50
A2063	Double With Becket	148	12	5	1250	600	271	-	60



A2058
A2068

A2159
A2169

Part	Description	Length mm	Max Line Dia. mm	Shackle Pin mm	Breaking Load kg	MWL kg	Weight g	Sheave Dia. mm
A2058	Triple With Ratchet And Adjustable Cleat	120	10	4	950	470	394	50
A2068	Triple With Ratchet And Adjustable Cleat	148	12	5	1250	600	535	60
A2159	Quint With Ratchet And Adjustable Cleat	136	10	5	950	470	503	50
A2169	Quint With Ratchet & Adjustable Cleat	148	12	6	1250	600	749	60



A2054
A2064

A2054HK

A2055
A2065

Part	Description	Length mm	Max Line Dia. mm	Shackle Pin mm	Breaking Load kg	MWL kg	Weight g	Sheave Dia. mm
A2054	Triple	100	10	4	950	470	190	50
A2064	Triple	130	12	5	1250	600	353	60
A2054HK	Triple With Hook	140	10	4	950	470	227	50
A2055	Triple With Becket	136	10	4	950	470	223	50
A2065	Triple With Becket	148	12	5	1250	600	397	60

A2054
"strong, reliable and super smooth!"
Jake Cookson



A2056
A2066

A2057
A2067

A2059
A2069

A2069B

Part	Description	Length mm	Max Line Dia. mm	Shackle Pin mm	Breaking Load kg	MWL kg	Weight g	Sheave Dia. mm
A2056	Quad	100	10	5	950	470	269	50
A2066	Quad	130	12	5	1250	600	443	60
A2057	Quad With Becket	136	10	5	950	470	274	50
A2067	Quad With Becket	148	12	5	1250	600	456	60
A2059	Quint	100	10	5	950	470	323	50
A2069	Quint	130	12	6	1250	600	549	60
A2069B	Quint With Becket	150	12	6	1250	600	555	60

High Roller Blocks

TiiTAN & XHL

High Roller Block Range - High performance blocks designed for high stakes sailing.

Lightweight aluminium side cheeks encapsulate an aluminium sheave, which free spins on roller bearings and side load ball bearings.

Easily unassembled and serviced to give longer lasting high performance.

Ideal for fast running and highly loaded lines on big boats. Applications such as: mainsheets, runners, halyards, spinnaker systems, jib sheets and control lines.

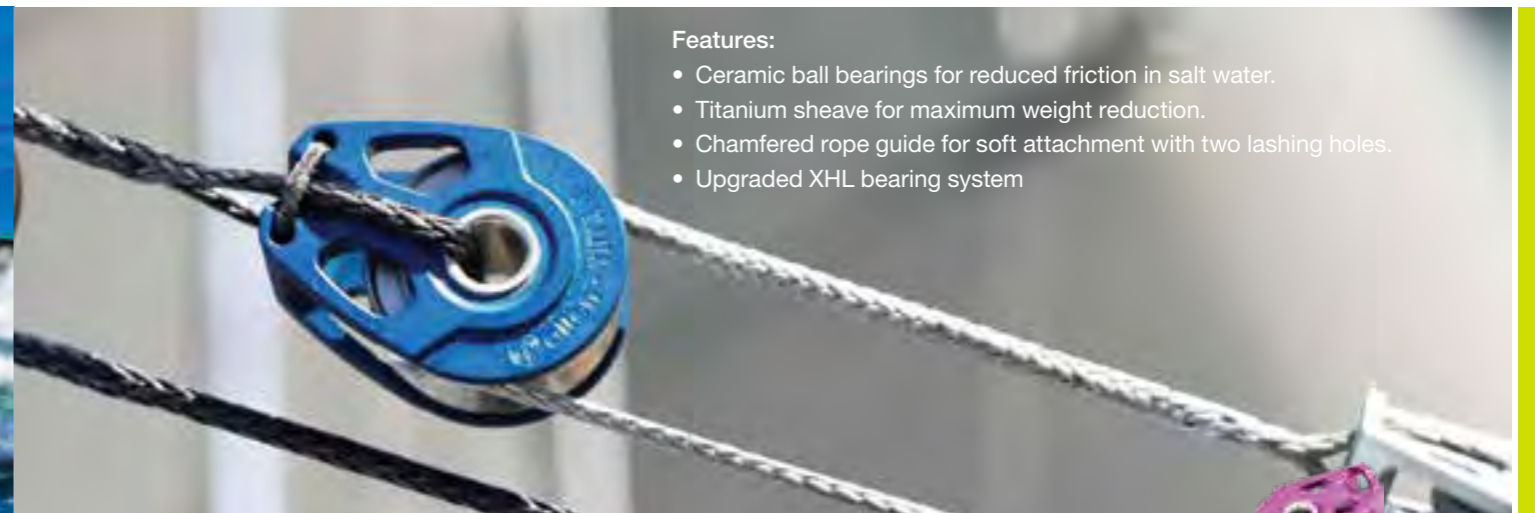
TiiTAN

The TiiTAN Block is a further development from our XHL range. Weighing in at only 28 grams makes the TiiTAN the lightest and strongest 30mm ball bearing pulley available on the market. This is an incredible 30% weight reduction when compared to the 30mm XHL block.

Find out more by scanning the QR code



Fanatic, Cape 31 – Credit: Paul Wyeth



Features:

- Ceramic ball bearings for reduced friction in salt water.
- Titanium sheave for maximum weight reduction.
- Chamfered rope guide for soft attachment with two lashing holes.
- Upgraded XHL bearing system

HIGH ROLLER BLOCKS

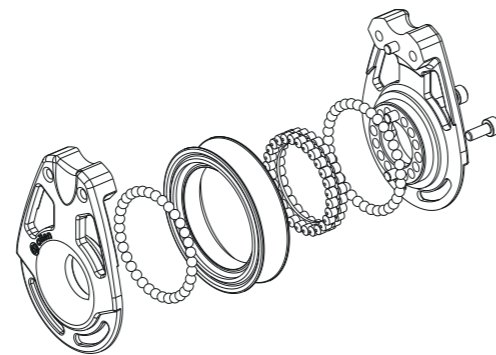
TiiTAN BLOCK

A9040

This is the smallest block available on the market which features a high load two-stage roller bearing system. Roller (needle) bearings take the main loads of the sheave and offer great sheave rolling speeds at high loads. The side load ball bearings cater for any off-centre loading and minimise friction further.

A9060

The 60mm high roller block features caged roller (needle) bearings. The cage keeps the rollers spread evenly around the sheave whilst also stopping the rollers from rubbing together. This reduces friction and allows for faster rolling speeds. The side load ball bearings cater for any off-centre loading and minimise friction further.



Part	Description	Breaking Load kg	Length mm	Max Line Dia. mm	MWL kg	Sheave Dia. mm	Weight g	Hole Centres mm
A9040	Single Tii-On High Roller	2000	55	10	800	40	47	-
A9060	Single Tii-On High Roller	4000	83	13	2000	60	132	-
SA9040	Servicing Kit For A9040	-	-	-	-	-	-	-
SA9060	Servicing Kit For A9060	-	-	-	-	-	-	-

XHL

The XHL range has been designed to deal with extremely high loads without compromising on low load dynamic performance. This is achieved with our XHL bearing system which features twin rows of stainless steel ball bearings running on a stainless steel axle paired with a precision plain bearing washer. When the XHL range is exposed to extreme static loads, it changes to a plain bearing block. Stopping the ball bearings from getting damaged. As soon as the static load is reduced the XHL returns to a high-performing dynamic block.

Features:

- Stainless steel ball bearings for long lasting performance.
- Stainless steel sheave with V profile, optimised for the fast running of rope without weakening the working load of the line.
- Aluminium side cheeks for a stronger and longer-lasting body which holds its shape under extreme loads.
- Available in six colours: Blue, Black, Silver, Gold, Orange, Purple.

The TiiTAN and XHL range is ideal for use in vang cascades and halyard or control line turning points where static loads can be extremely high but low load dynamic performance is required.

Part	Description	Breaking Load kg	MWL kg	Sheave Size mm	Length mm	Maximum Line Dia. mm	Weight g
A2020XHL	Extreme High Load Block	900	400	20	29	6	17
A2031XHL-873	Extreme High Load Vang Block With SA.873	1000	500	30	57	8	55
A2030XHL	Extreme High Load Block	1250	500	30	43	8	41
A2040XHL	Extreme High Load Block	1500	650	40	54	8	71
A9031-873	TiiTAN Vang Block With SA.873	1000	500	30	69	8	43
A9030	TiiTAN Block	1250	500	30	40	8	28



Tii-On Blocks

Our Tii-On Blocks feature a stainless steel loop at the head of the block. This gives our range maximum strength and reliability with minimal cheek separation when tied on and loaded up with a soft shackle. The stainless steel head loop also ensures the block stays in the right orientation when being used.



Part	Description	Length mm	Max Line Dia. mm	Breaking Load kg	MWL kg	Weight g
A2020Tii	Single Tii-On	29	6	540	115	8
A2022Tii	Double Tii-On	29	6	600	225	15.6
A2030Tii	Single Tii-On	42	8	750	140	24
A2032Tii	Double Tii-On	42	8	1250	280	48
A2040Tii	Single Tii-On	58	10	800	180	34.5
A2050Tii	Single Tii-On	72	10	900	300	61
A2060Tii	Single Tii-On	84	10	1400	700	91

Tii-Shackles

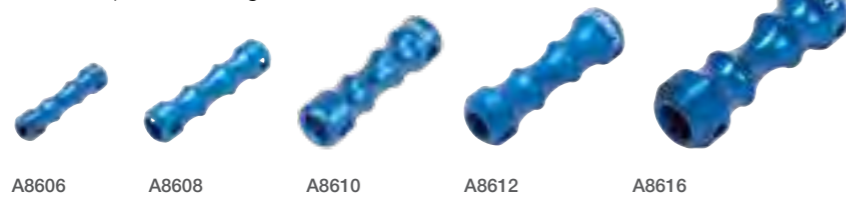
This simple and easy attachment system will save weight and give you more options for attaching blocks. Tii-Shackles feature an adjustable loop to make attachment quick and easy. Perfectly designed for use with our Tii-On blocks and Pad-Tii ranges.



Part Number	Description	For Use With	Length mm	Diameter mm	Breaking Load kg	Weight g
A15100	Tii-Shackle	A2020Tii	100	1.5	200	0.6
A15110	Tii-Shackle	20 & 30mm Tii-Blocks	110	1.5	360	0.9
A20110	Tii-Shackle	A2022Tii	110	2	200	1.3
A25110	Tii-Shackle	A2030Tii	110	2.5	300	4.8
A25120	Tii-Shackle	A2032Tii	120	2.5	300	-
A25130	Tii-Shackle	A2040Tii	130	3	400	-
A40140	Tii-Shackle	A2050Tii	140	4	600	-
A40180	Tii-Shackle	A2060Tii	180	4	600	-

Dog Bones

Allen Dog Bones can be used in a variety of applications. Ideal for use with soft shackles as rope stops. CNC machined from aluminium our Dog Bones are extremely hard wearing. Available in 6 colours. Black, Blue, Gold, Silver, Purple and Orange



Part Number	Description	Length mm	Maximum Outside Diameter mm	Minimum Outside Diameter mm	Rope Diameter mm	*Safe Working Load kg	*Breaking Load kg	Weight g
A8606	Dogbone	24	6	4	2 - 4	350	600	1
A8608	Dogbone	32	8	6	4 - 5	600	1100	3
A8610	Dogbone	10	10	6.5	6	900	1800	4.6
A8612	Dogbone	40	12	7	5 - 6	1400	2500	7
A8616	Dogbone	48	16	8	6 - 8	2000	3500	14

*Estimated Loads

High Load Thimbles

Thimbles are a great alternative to blocks when there is a need for high static load capabilities. Our high load thimbles come coated in Teflon to help reduce friction. Machined from aluminium and anodised in a choice of 6 colours, black, blue, silver, purple, gold and orange. Also available in stainless steel.



A..82-8
A..82-10
A..82-14



Part Number	Description	Inside Diameter mm	Depth mm	Maximum Working Load kg	Weight g
A..87-15	Aluminium Thimble	6	6	300	1
A..87-20	Aluminium Thimble	8	8	400	2
A..87-25	Aluminium Thimble	10	10	800	5
A..87-30	Aluminium Thimble	12	12	1000	7
A..87-35	Aluminium Thimble	15	14	1500	11
A..87-50	Aluminium Thimble	20	21	2000	40
A..87-75	Aluminium Thimble	28	31	2500	154
A..87-90	Aluminium Thimble	28	39	3000	289
A..82-8	Stainless Steel Thimble	8	5	150	0.5
A..82-10	Stainless Steel Thimble	9	6	250	2
A..82-14	Stainless Steel Thimble	14	8	300	1.5

Pad-Tii

Pad-Tii's are a soft attachment deck fitting which are a great choice if you are looking to add an attachment point to a surface that is low profile and easy to thread rope around. To find out more go to page 61.



Part Number	Description	Fixing Hole Centres mm	Fixing Hole Depth Maximum mm	Fixing Hole Depth Minimum mm	Fixing Hole Diameter mm	Outside Diameter mm	Breaking Load kg	Maximum Working Load kg	Weight g
A8639-6	Pad-Tii	13	8	6	12.8	19	350	250	21
A8639-8	Pad-Tii	13	10	8	12.8	19	350	250	21
A8639-10	Pad-Tii	13	12	10	13	19	350	250	21
A8739-6	Pad-Tii	17	8	6	16	24	400	300	7
A8739-8	Pad-Tii	17	10	8	16	24	400	300	7
A8739-10	Pad-Tii	17	12	10	16	24	400	300	7
A8739-18	Pad-Tii	17	20	18	16	24	400	300	10
A881310	Pad-Tii Fixed Bar	13	10	4.5	12.8	19	350	250	8
A881610	Pad-Tii Fixed Bar	17	10	4.5	16	24	575	350	10
A82525	Pad-Tii Fixed Bar	25	25	5	25	38	1400	700	33

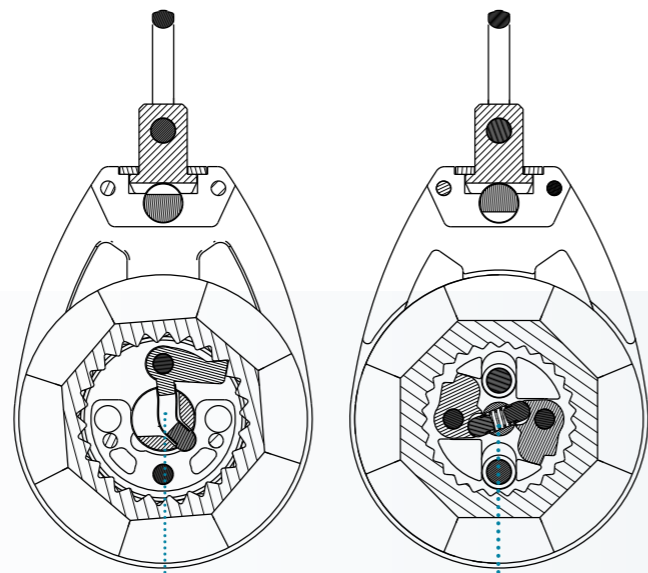
Ratchet Blocks

AutoRatchet

The Allen AutoRatchet Blocks were the first of their kind on the market some 30 years ago. Years of constant development, with the World's top sailors, has led us to the release of our X2 AutoRatchets. The new "X2" pawl system which incorporates two pawls into the mechanism ensures that the load is evenly shared between both pawls, this means that the block can withstand higher working loads while also increasing both the reliability and longevity. It also features the patented swivel head lock system which can be fixed in position, allowing for more setup options.

Switchable Ratchet

Allen Switchable Ratchet Blocks can easily be switched on or off, even under load. The patented swivel head lock system can be fixed in position, allowing for more setup options. The sheave design gives high grip under load while allowing easy release when required.



A2160
Switchable-ratchet block - Ratchet mechanism can be switched on and off as required.

A2360
AutoRatchet block - Load sensitive AutoRatchet which is triggered when block comes under load.

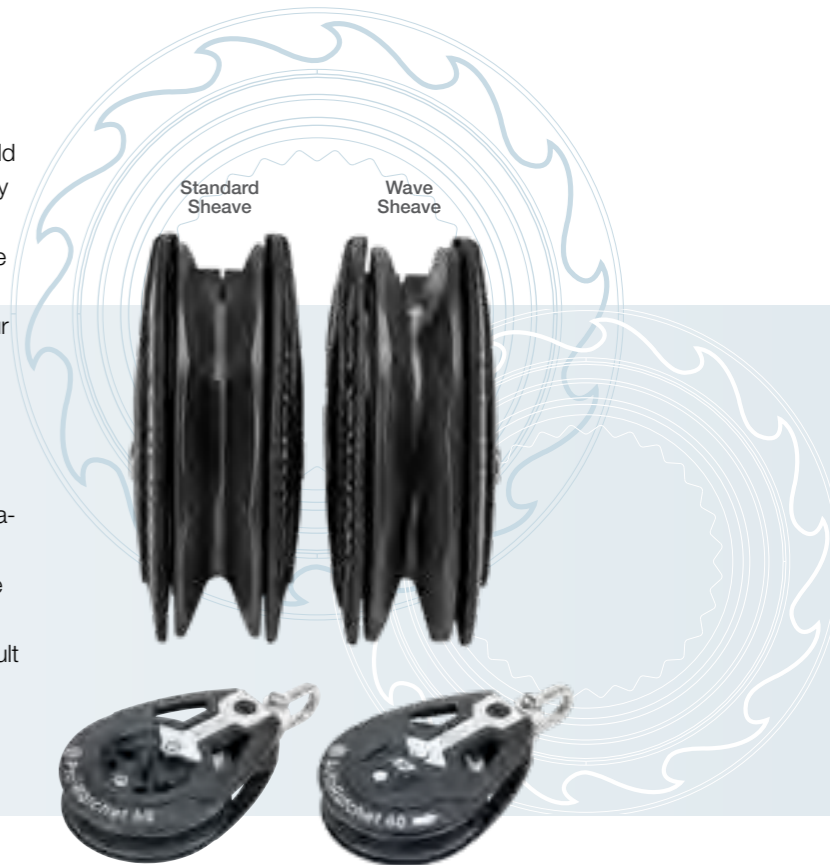
Wave Ratchet

The wave ratchet offers 20 to 40%* more grip without adding any additional wear to the rope.

The most effective way to increase friction is to add sharp edges to the ratchet sheave, but this quickly deteriorates and wears away the rope. So, after working alongside leading rope manufacturers the Allen design team came up with a simple solution which improves grip without chewing away at your expensive rope.

The Wave Ratchet sheave has an offset V style grip, made from a hard-wearing recycled plastic nylon, which does not have sharp edges that will eat into the rope. Instead, by adjusting the V formation in the sheave to be slightly offset, the ratchet now grips the rope at additional points around the sheave, resulting in more grip. However, the new Wave Ratchet not only improves grip but as a result of the design it also allows for a less 'jumpy' feel when easing the sheets.

*Depends on the type of rope in use with the sheave.



A2160WAVE

A2360WAVE

Part	Description	Sheave Dia. mm	Length mm	Max Line Dia. mm	Shackle Pin mm	Breaking Load kg	Trigger Load kg	MWL kg	Weight g
A2160WAVE	Pro-Ratchet With Wave Sheave	60	110	12	5	1000	-	275	110
A2360WAVE	X2 Wave AutoRatchet	60	110	12	5	1000	10	275	139



A2140 A2345 A2150

A2345
"Perfect for our kite sheets. Turns on and off exactly when you want it to."
Fynn Sterritt



A2160 A2150C A2160C A2150FIDDLE A2160FIDDLE A2360

Part	Description	Sheave Dia. mm	Length mm	Max Line Dia. mm	Shackle Pin mm	Breaking Load kg	Trigger Load kg	MWL kg	Weight g
A2140	Pro-Ratchet 40	40	78	6	4	475	-	120	40
A2345	X2 AutoRatchet	45	90	8	4	280	10	140	56
A2150	Pro-Ratchet 50	50	95	10	4	700	-	200	64.5
A2150C	Pro-Ratchet 50 With Cheek Adaptor	50	92	10	4	700	-	200	80
A2150FIDDLE	Pro-Ratchet 50 With Fiddle	50	126	10	4	700	-	200	80
A2160	Pro-Ratchet 60	60	110	12	5	1000	-	275	110
A2160C	Pro-Ratchet 60 With Cheek Adaptor	60	108	12	5	1000	-	275	139
A2160FIDDLE	Pro-Ratchet 60 With Fiddle	60	150	12	5	1000	-	275	139
A2360	X2 AutoRatchet	60	110	12	5	1000	10	275	110



A2151 A2161 A2058 A2068 A2159 A2169 A.622

A2169 & A2069
"The Quint mainsheet system is really, really smooth"
Laura Marimon

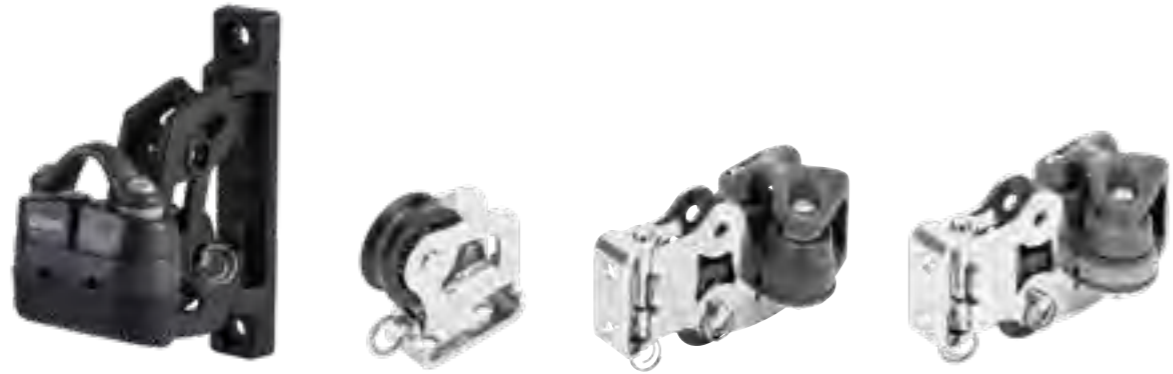
Part	Description	Sheave Dia. mm	Length mm	Max Line Dia. mm	Shackle Pin mm	Breaking Load kg	MWL kg	Weight g
A2151	Pro-Ratchet With Becket & Cleat	50	136	10	4	700	200	64.6
A2058	Triple With Switchable Ratchet & Adjustable Cleat	50	120	10	4	950	470	394
A2159	Quint With Switchable Ratchet, Becket & Cleat	50	136	10	4	700	200	503
A2161	Single Switchable Ratchet With Becket & Cleat	60	127	12	5	1000	275	333
A2068	Triple With Switchable Ratchet, Becket & Cleat	60	145	12	5	1250	600	535
A2169	Quint With Switchable Ratchet, Becket & Cleat	60	148	12	6	1000	600	750
A.622	Spring Guard For Ratchets	-	-	-	-	-	-	2.5

Flip Flop Blocks

Deck Organiser

30mm Flip Flop Blocks

Flip flop blocks are designed to pivot around a central fixing point, this keeps the rope close to the deck, mast or boom whilst still allowing the block to articulate to the correct lead angle, ensuring friction stays as low as possible whilst still guiding the rope to where it needs to go.



Part	Description	Breaking Load kg	Fixing Hole Centres mm	Fixing Hole Size mm	Max Line Dia mm	MWL kg	Sheave Size mm	Weight g
A4988X	Lightweight Flip Flop Cleat With Removable Sheave	-	85.5	5	10	100	30	108
A2133	Flip Flop Block	700	20	5	8	140	30	53
A2133-677	30mm Flip Flop Block With A.677 Cleat	700	20	5	8	140	30	119
A2133-77	30mm Flip Flop Block With A..77 Cleat	700	20	5	8	140	30	128

30mm



Blaze Nationals - Credit: Nick Champion

DECK ORGANISER

40mm Flip Flop Blocks



Part	Description	Breaking Load kg	Fixing Hole Centres mm	Fixing Hole Size mm	Max Line Dia mm	MWL kg	Sheave Size mm	Weight g
A2143	40mm Flip Flop Block	-	60.3	5	10	150	40	77
A2143-676	40mm Flip Flop Block with Allenite Cam Cleat	-	60.3	5	10	150	40	210
A2143-76	40mm Flip Flop Block With Cam Cleat	-	60.3	5	10	150	40	255

40mm

Deck Organiser

Designed for leading control lines and halyards along a deck or coach roof.

Features dynamic bearing sheaves. Which uses twin rows of stainless-steel ball bearings running on a stainless-steel rail. This provides a superior load-carrying ability and longevity when compared to other bearing systems which run on a plastic rail.

The cheeks are made from marine grade aluminium and anodised black.



Part	Description	Breaking Load kg	Length mm	Max Line Dia mm	MWL kg	Sheave Dia. mm	Weight g
A2423	20mm Deck Organiser	540	87	6	115	20	41
A2433	30mm Deck Organiser	700	118	8	140	30	86
A2443	40mm Deck Organiser	700	170	16	200	40	208

Wire Blocks

Wire Blocks

Specifically intended for use where wire lines are subjected to low rotational high loads. The range uses stainless-steel side cheeks to give maximum strength in the smallest form possible and a single row of spaced stainless-steel ball bearings in the sheave. Available with different accessories including hooks, becket, swivels and shackles giving a whole range of choice to suit the application.



Nick Evans - Optimist - Credit: Sportography TV



A4068



A4379HK-90 A4393 A4393HK A4479 A4993 AB1342



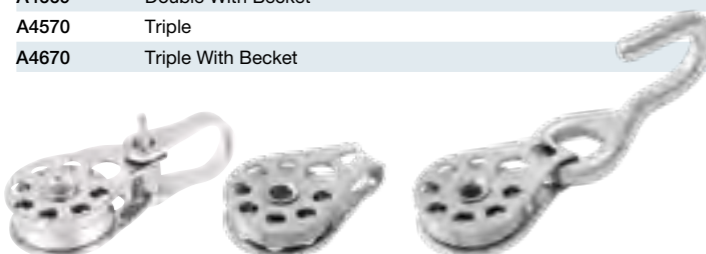
A4679 A4779 A4593 A4693 A4979

Part	Description	Sheave Dia. mm	Length mm	Max Line Dia. mm	Shackle Pin mm	Breaking Load kg	Weight g
A4379HK-90	Single With 90 Degree Hook	25	90	2 - 6	-	500	81
A4393	Single Fixed Head With Becket	25	59	2 - 5	5	750	31
A4393HK	Single Fixed Head And Becket With Hook	25	103	2 - 5	-	750	81
A4479	Single With Shackle	25	58	2 - 5	5	750	33
A4993	Single Clevis Pin Head	25	43	2 - 5	5	750	31
AB1342	Brass Sheaved Plain Bearing	20	37	6	-	540	-
A4679	Double Fixed Head	25	57	2 - 5	5	750	54
A4779	Double Fixed Head With Becket	25	70	2 - 5	5	750	60
A4593	Triple Fixed Head	25	57	2 - 5	5	750	78
A4693	Triple Fixed Head With Becket	25	70	2 - 5	5	750	84
A4979	Quad Fixed Head	25	51	2 - 5	5	750	89



A4568 A4668 A4569 A4669 A4570 A4670

Part	Description	Sheave Diameter mm	Length mm	Max Line Dia. mm	Shackle Pin mm	Breaking Load kg	Weight g
A4568	Single	16	29	2 - 4	4	400	11
A4668	Single With Becket	16	50	4	4	400	40
A4569	Double	16	40	2 - 4	4	400	25
A4669	Double With Becket	16	50	2 - 4	4	400	26
A4570	Triple	16	40	2 - 4	4	400	36
A4670	Triple With Becket	16	50	2 - 4	4	400	38



A4279 A4379 A4379HK

Part	Description	Sheave Diameter mm	Length mm	Max Line Dia. mm	Shackle Pin mm	Breaking Load kg	Weight g
A4279	Single Flared Cheek	25	41	2 - 7	5	750	44
A4379	Single Fixed Head	25	41	2 - 5	5	750	25
A4379HK	Single With Hook	25	105	2 - 6	-	500	81



A4196 A4296 A4396



A4496 A4596 A4696 A4796 A4068

Part	Description	Sheave Dia. mm	Length mm	Max Line Dia. mm	Shackle Pin mm	Breaking Load kg	Weight g
A4196	Single Fixed Head	38	62	2 - 6	5	1000	71
A4296	Single With Shackle	38	74	2 - 6	5	1000	80
A4396	Single Fixed Head With Becket	38	80	2 - 6	5	1000	84
A4496	Double Fixed Head	38	74	2 - 6	5	1000	141
A4596	Double Fixed Head With Becket	38	93	2 - 6	5	1000	150
A4696	Triple Fixed Head	38	74	2 - 6	5	1000	195
A4796	Triple Fixed Head With Becket	38	93	2 - 6	5	1000	208
A4068	Optimist Sprit	16	55	2 - 4	4	400	20

Classic Blocks

V Cleat Blocks

Simple yet effective choice for many vang and cunningham setups. Available in stainless steel or die-cast aluminium and with different fixing accessories giving choices to suit most applications.



Part	Description	Sheave Dia. mm	Length mm	Max Line Dia. mm	Shackle Pin mm	Breaking Load kg	MWL kg	Weight g
A..93	Plain Bearing Single Sheave With Becket	26	79	6	5	620	310	39
A..93LZ	Plain Bearing Single Sheave With Becket & Key	26	86	6	5	620	310	40
A4265	V Cleat With Single Sheave & Becket	26	61	4	5	450	250	33

Classic Dinghy Blocks

Manufactured from nylon and available with either a plain bearing system or ball bearing system. Originally used for the Laser® class mainsheet system they have also become the block of choice for many other dinghy mainsheet systems. Available in a black, grey and blue



Part	Description	Sheave Dia. mm	Length mm	Max Line Dia. mm	Breaking Load kg	MWL kg	Weight g
A.178	Single Plain Bearing	25	48	8	250	140	13
A.178BB	Single Ball Bearing	28	48	8	250	150	24
A.178-74	Single Plain Bearing With Inglefield Clip	25	69	8	250	140	23
A.178-74BB	Single Ball Bearing With Inglefield Clip	28	69	8	250	140	32
A.278	Single Plain Bearing	38	67	10	300	155	36
A.278BB	Single Ball Bearing	38	67	10	300	155	50
A.278-74	Single Plain Bearing With Inglefield Clip	38	86	10	300	155	45
A.278-74BB	Single Ball Bearing With Inglefield Clip	38	86	10	300	155	56
A.378	Single Plain Bearing With Becket	38	86	10	300	155	38
A.378BB	Single Ball Bearing With Becket	38	86	10	300	155	55
A.179BBO	Linked Singles Nylon Ball Bearing Blocks	28	98	8	250	150	30

Stanchion Mounted Blocks An inexpensive yet brilliantly simple solution for leading lines from the foredeck back to the cockpit



Part Number	Description	Length mm	Line Diameter mm	Bracket Diameter mm	Maximum Working Load kg	Breaking Load kg	Weight g
A.450	Stanchion Mounted Plain Bearing Block	94	14	25	200	280	69
A.450A	Stanchion Mounted Block With Removable Pin	94	14	25	200	280	69
A.455	Stanchion Mounted Fairlead With Stainless Bush	60	14	25	200	280	43



Dylan Fletcher – International Moth – credit: James Tomlinson

Lightweight Plain Bearing Blocks

Featuring 316 stainless steel sides and a variety of sheave material options and sizes. They provide a great budget solution to low movement applications that just need a simple yet attractive block.



Part	Description	Sheave Dia. mm	Length mm	Max Line Dia. mm	To Suit Shackle Pin mm	Breaking Load kg	Weight g
A4078	Single With Acetal Sheave	16	26	5	4	275	5
A4080	Single With Brass Sheave	16	26	5	4	275	10
A4081	Double With Acetal Sheave	16	30	5	4	275	10
A4181	Cheek With Acetal Sheave	16	30	5	4	275	6
A4093	Single With Becket And Acetal Sheave	25	54	8	5	400	23
A4178	Single With Acetal Sheave	25	41	8	5	400	13
A4178E	Single With Hook And Acetal Sheave	25	72	8	-	400	39
A4501	Through Deck Single With Acetal Sheave	16	16	5	-	275	7
A4601	Through Deck Single With Brass Sheave	16	16	5	-	275	13
A4301	Through Deck Double With Acetal Sheave	16	38	5	-	275	15
A4401	Through Deck Double With Brass Sheave	16	38	5	-	275	27

Sheaves

Made from acetal resin, aluminium or stainless steel and featuring either stainless steel ball bearings or plain bearings, our sheaves come in a wide range of sizes and configurations to suit all applications. Ideal for replacing old or worn parts or building a custom fitting yourself. Breaking loads are very dependant on the axle fitting used.

SHEAVES

Part Number	Description	Diameter mm	Width mm	Bore mm	Weight g	Breaking Load Kg	Colour
A3342	High Load SS Sheave With Double Row Ball Bearing	20	11	4.5	12	540	-
A3342XHL	XHL Cassette	20	11	4.5	11.2	900	-
A3343	High Load SS Sheave With Double Row Ball Bearing	30	13	7.5	26	800	-
A4567	High Load SS Sheave With Single Row Ball Bearing	16	5	3.5	5	400	-
A4986-6	High Load SS Sheave With Single Row Ball Bearing	25	6	8	17	750	-
A4986-8	High Load SS Sheave With Single Row Ball Bearing	25	8	8.4	19	750	-
A4786-6	High Load SS Sheave With Single Row Ball Bearing	38	6	8	51	1000	-
A4786-8	High Load SS Sheave With Single Row Ball Bearing	38	8	8	55	1000	-
A4886	Acetal Sheave With Double Row Ball Bearing	20	7	3	5	540	Grey
A4886-5	Acetal Sheave With Double Row Ball Bearing	20	8.2	5.2	3	540	-
A4886B	Acetal Sheave With Double Row Ball Bearing	20	7	3	3	540	Black
A4086	Acetal Sheave With Double Row Ball Bearing	27	10	4.4	7	700	Grey
A4086B	Acetal Sheave With Double Row Ball Bearing	27	10	4.4	7	700	Black
A3086	Acetal Sheave With Double Row Ball Bearing	38	12	5	16	800	Grey
A2086-4	20mm Dynamic Sheave	20	5	4	8	540	-
A2086-5	20mm Dynamic Sheave	20	8	5	5	540	-
A1086	Acetal Sheave With Double Row Ball Bearing	40	14	6	26	700	Grey
A1086B	Acetal Sheave With Double Row Ball Bearing	40	14	6	26	700	Black
A1086SP	Acetal Sheave With Double Row Ball Bearing	40	14	8	27	700	Grey
A1086SP-B	Acetal Sheave With Double Row Ball Bearing	40	14	8	27	700	Black
A1886	Acetal Sheave With Double Row Ball Bearing	52	15	6.5	46	800	Grey
A..45	Acetal Sheave	15	6	6	0.5	-	-
A..86-6	Acetal Sheave	25	6	8	2	-	-
A..86-8	Acetal Sheave	26	8	8	2.5	-	-
A.220	Acetal Sheave	27	6	9	2	-	-
A..85	Acetal Sheave	36	6	8	5	-	-
A.150	Acetal Sheave	38	8	8	7	-	-
A.150-6	Acetal Sheave	38	6	8	7	-	-
A.119	Acetal Sheave	50	8	8	10	-	-
A.386	Nylon Cheek Block	27	8	8	9	-	-
A.612	Acetal Sheave	20	7	6	1	-	-
A.613	Acetal Sheave	27	10	8	2	-	-
A.614	Acetal Sheave	38	12	8	8	-	-
A..80A	Acetal Sheave Wide	27	18	10	4	-	-
A..80B	Acetal Sheave Wide	27	18	8	4	-	-

Sheaves continued

Part Number	Description	Diameter mm	Width mm	Bore mm	Weight g	Breaking Load Kg	Colour
A.215	Acetal Sheave	38	12	8	9	-	-
A.216	Acetal Sheave	50	13	8	14	-	-
A.217	Acetal Sheave	74	13	9	26	-	-
A.219	Acetal Sheave	62	13	7.8	20	-	-
A..84	Aluminium Sheave	28	8	9	10	-	-
A.185	Aluminium Sheave	38	6	8	14	-	-
A..83	Aluminium Sheave	38	8	8	20	-	-
A.315	Aluminium Sheave	38	12	8	30	-	-
A..46	Brass Sheave	16	6	6	6.5	-	-

Springs Stainless Steel

Our stainless steel springs are designed to be paired with our range of dynamic blocks. Available as a firm, soft or conical design to give the block the desired stand up stance you require.

Part	Description	Height mm	Inside Dia. mm	Outside Dia. mm	Weight g	Wire Diameter mm
A1034	Firm Stainless Steel	43.7	21.4	25.4	10	2
A4033	Soft Stainless Steel	43.2	22.6	25.4	16	1.4
A4034	Cone Shaped Stainless Steel	25	13.7	23.2	2	1.2

Below is a chart that shows the compatibility between the different styles of springs and block ranges.

	Lacing eye	20mm range	30mm range	40mm range	50mm range	60mm range	A2345 ratchet	A2140 ratchet	A2150 ratchet	A4621 ratchet	A2160 ratchet	A2360 ratchet	A4093	A4178	27mm range	38mm range
A1034	A4073	✓	✓	✓	✓	✓	✓	✓	✓	✓	✓	✓	✓	✓	✓	✓
	A4388	✓	✓	✓	✓	✓	✓	✓	✓	✓	✓	✓	✓	✓	✓	✓
	A4488	✓	✓	✓	✓	✓	✓	✓	✓	✓	✓	✓	✓	✓	✓	✓
	A5015	✓	✓	✓	✓	✓	✓	✓	✓	✓	✓	✓	✓	✓	✓	✓
	A5015F	✓	✓	✓	✓	✓	✓	✓	✓	✓	✓	✓	✓	✓	✓	✓
	A6050	✓	✓	✓	✓	✓	✓	✓	✓	✓	✓	✓	✓	✓	✓	✓
A4033	A6051	✓	✓	✓	✓	✓	✓	✓	✓	✓	✓	✓	✓	✓	✓	✓
	A4073	✓	✓	✓	✓	✓	✓	✓	✓	✓	✓	✓	✓	✓	✓	
	A4088	✓	✓	✓	✓	✓	✓	✓	✓	✓	✓	✓	✓	✓	✓	
	A4388	✓	✓	✓	✓	✓	✓	✓	✓	✓	✓	✓	✓	✓	✓	
	A4488	✓	✓	✓	✓	✓	✓	✓	✓	✓	✓	✓	✓	✓	✓	
	A5015	✓	✓	✓	✓	✓	✓	✓	✓	✓	✓	✓	✓	✓	✓	
A4034	A5015F	✓	✓	✓	✓	✓	✓	✓	✓	✓	✓	✓	✓	✓	✓	
	A5016	✓	✓	✓	✓	✓	✓	✓	✓	✓	✓	✓	✓	✓	✓	
	A5016F	✓	✓	✓	✓	✓	✓	✓	✓	✓	✓	✓	✓	✓	✓	
	A6050	✓	✓	✓	✓	✓	✓	✓	✓	✓	✓	✓	✓	✓	✓	
	A6051	✓	✓	✓	✓	✓	✓	✓	✓	✓	✓	✓	✓	✓	✓	
	A4073	✓	✓	✓	✓	✓	✓	✓	✓	✓	✓	✓	✓	✓	✓	

Snatch Blocks

Allen Snatch Blocks feature the same dynamic bearing technology as our 30 and 40mm dynamic ranges. Our snatch blocks have an easy to use mechanism for opening and closing the cheeks making them the perfect choice for any application where attaching and releasing from control lines is important.



Jake Cookson - Land Yacht - Credit: Mike Griffin

Cleats and Jammers

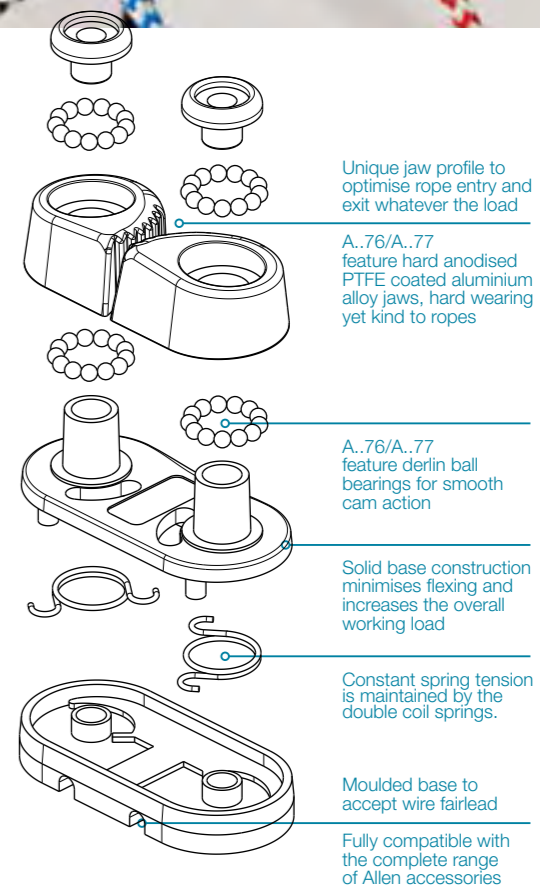


Part	Description	Length mm	Max Line Dia. mm	Breaking Load kg	MWL kg	Sheave Dia. mm	Weight g
A1375	Snatch Block	76	6 - 10	700	200	40	95
A1375-A4102	Snatch Block With Swivel	76	6 - 10	700	200	40	95
A1375-S	Snatch Block With Additional Small Sheave	80	10	700	200	40 & 16	93.5
A1376	Snatch Block With Snap Shackle	76	6 - 10	700	200	40	203
A1377	Snatch Block With No Keeper Mechanism	76	6 - 10	700	200	40	94
A1378	Back To Back Snatch Blocks With Swivel	76	6 - 10	700	200	40	373
A4475	Snatch Block No Keeper	53	5 - 6	350	140	30	28

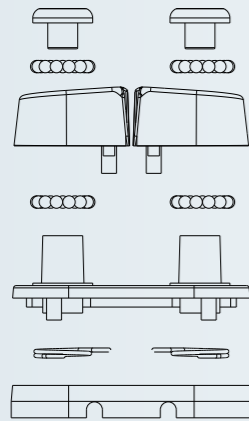
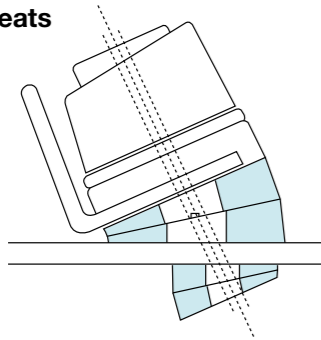
Cam Cleats

Allen cam cleats have had more than 50 years of meticulous R&D to perfect their design. Available in either Alloy or Allenite* the jaw profile optimizes rope entry and exit for smooth cleating and uncleating, whilst double coil springs and ball bearing technology give consistent cam action. The addition of the ultra-prolead with wire reinforcement enhances cleating angles for superior performance and longevity. For hardwearing applications you can't beat the alloy series cam cleat for strength and durability while minimising line wear.

**Allenite is a proprietary material developed by Allen specifically for high wear resistance, low weight and good heat dissipation. Ideal for lighter loaded and for less frequently used applications and where weight saving is a premium over the alloy range.*



Cam Cleats



Part	Description	Line Size mm	Fixing Hole Centres mm	Height mm	Weight g	Fixing Hole Size mm	MWL kg
A..76	Ball Bearing Cam Cleat - Medium	4 - 10	38	29	63	5	150
A..77	Ball Bearing Cam Cleat - Small	2 - 6	28	22	29	4	100
A..76-496	Ball Bearing Cam Cleat With Mega Pro Lead - Medium	4 - 10	38	48	103	5	150
A..77-497	Ball Bearing Cam Cleat With Mega Pro Lead - Small	2 - 6	28	39	50	4	100
A.676	Allenite Cam Cleat - Medium	4 - 10	38	29	34	5	130
A.677	Allenite Cam Cleat - Small	2 - 6	28	22	22	4	80
A.676-496	Allenite Cam Cleat With Mega Pro Lead - Medium	4 - 10	38	48	74	5	130
A.677-497	Allenite Cam Cleat With Mega Pro Lead - Small	2 - 6	28	39	45	4	100
A5848	Laser Control Line Cleats With Base	2 - 6	67	56	141.9	5	100
A5861	Laser Lower Vang Unit	2 - 6	-	82	201.5-	5	-

Cam Cleat Accessories

Allen Cam Cleat Accessories are available to make sure you get the most from your Allen Cam Cleat. There is a range of cleat lifters, wedges and fairleads to ensure that the rope running through your cam cleat is as efficient as possible.



Part	Description	Fixing Hole Centres mm	Use With	Weight g
A.496 A.497	Mega Pro-Lead Medium	38	A.676/A..76	40
A.396 A.397	Pro-Lead Medium	28	A.677/A..77	40
A.488 A.588	Fairlead Small	38	A.676/A..76	35
A.1396 A.1397	Pro-Lead Small	28	A.677/A..77	35
A.597	Fairlead Medium	28	A.67/A..77	2
	Pro-Lead Wedge Medium	38	A.676/A..76	5
	Pro-Lead Wedge Small	38	A.676/A..76	9
	Mainsheet Roller	28	A.677/A..77	9
		38	A..76	97

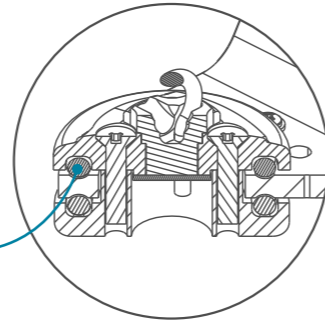


Part	Description	Fixing Hole Centres mm	Use With	Weight g
A4665	Stainless Steel Wire Under Fairlead Small	-	A.677/A..77	6
A4665-LOW	Stainless Steel Wire Under Fairlead Small And Low	-	A.677/A..77	-
A4675	Stainless Steel Wire Under Fairlead Medium	-	A.676/A..76	12
A.193	Cleat Lifter 15mm High	28	A.677/A..77	11
A.293	Cleat Lifter 22mm High	38	A.676/A..76	21
A.194	Cleat Lifter 8mm	28	A.677 / A..77	6
A.294	Cleat Lifter 10mm High	38	A.676/A..76	13
A4761	Through Deck Fairlead Medium	38	A.676/A..76	49
A4771	Through Deck Fairlead Small	28	A.677/A..77	22
A.493-993	Wedge Kit Small	28	A.677/A..77	7
A.593-893	Wedge Kit Medium	38	A.676/A..76	12
A.993	Cam Cleat Wedge Small	28	A.677/A..77	4
A.893	Cam Cleat Wedge Medium	38	A.676/A..76	4
A.493	Under Deck Cam Cleat Wedge Small	28	A.677/A..77	-
A.593	Under Deck Cam Cleat Wedge Medium	38	A.676/A..76	-
A.762	Backing Plate	38	A..76 / A.676	-
A.793	Cam Cleat Wedge	26	A4476	3

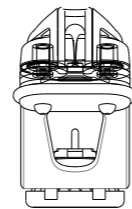
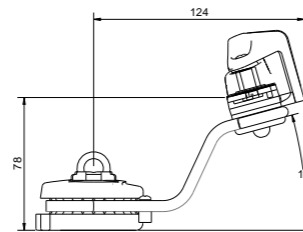
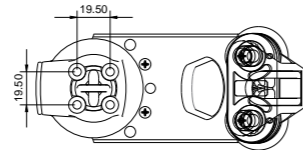
Mainsheet Jammers

Allen Mainsheet Jammers have had many hours of research and development to give the best possible product. The range features our World leading cold forged bearing system which has a ball locating groove for smooth rotation whilst preventing the lateral movement of the arm. The angle and height of the cam cleat has been carefully designed to optimise mainsheet jamming and release when required. The angles of rotation can be set to 180, 220 or 360 degrees.

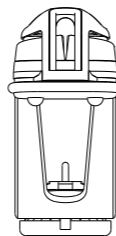
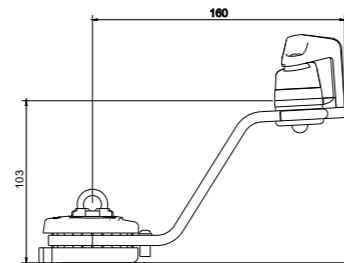
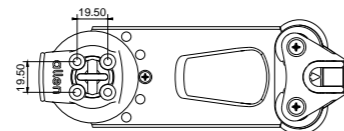
Improved base and bearing mechanism



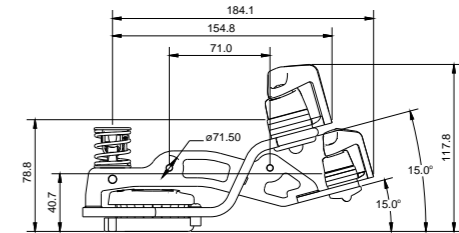
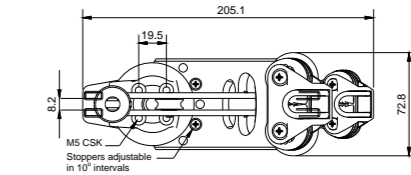
A5166COMPACT



A5166



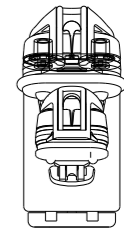
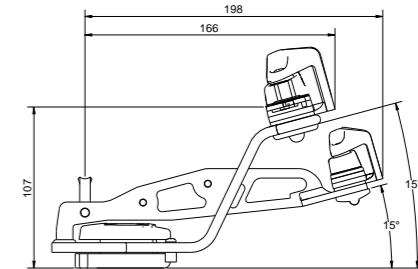
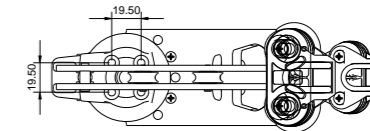
A5166DUAL-ARM-COMPACT



"Loving the slingshot and the cleat angle is spot on. Great product."
George Hand



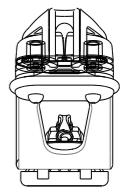
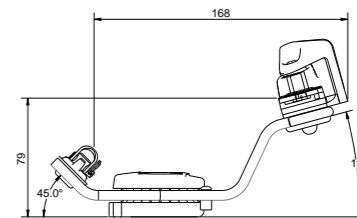
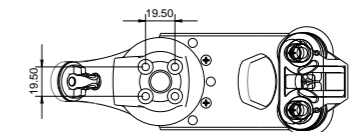
A5166DUAL-ARM



The A5266 has the block mounted behind the swivel centre and angled towards the cleat. This creates a turning force on the block and jammer, meaning that the cleat will always be forced to point away from the boom and towards the helm ensuring the rope is to hand.



A5266

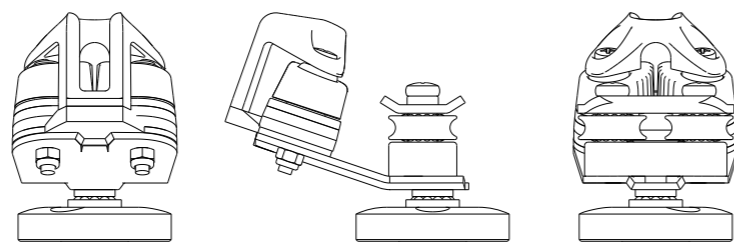


Mainsheet Jammers are available to order with or without Ratchet Blocks.

Part	Description	Comes with	Fixing Hole Centres mm	Fixing Hole Dia. mm	MWL kg	Weight g
A5166COMPACT	Compact Mainsheet Jammer	A2160, A..76-496	19.5 x 19.5	5	600	342
A5166	Standard Height Mainsheet Jammer	A2160, A..76-496	19.5 x 19.5	5	600	368
A5166DUAL-ARM-COMPACT	Compact Dual Arm Mainsheet Jammer	A2160, A..76-496, A..77-497	19.5 x 19.5	5	600	504
A5166DUAL-ARM	Standard Height Dual Arm Mainsheet Jammer	A2160, A..76-496, A..77-497	19.5 x 19.5	5	600	513
A5266COMPACT	Compact Self Aligning Mainsheet Jammer	A2160, A..76-496	19.5 x 19.5	5	600	369
A5266	Self Aligning Mainsheet Jammer	A2160, A..76-496	19.5 x 19.5	5	600	406

Swivel Cleats

Allen Swivel Cleats have been designed to give smooth sheeting articulation for a variety of applications from jib sheeting to vang systems. The cam cleats are mounted on a high grade stainless steel platform, and angled upward for ease of cleating. Available with either a plain bearing or ball bearing swivel base.



A4466

A4466STRAIGHT



A4566

A4566STRAIGHT



A4766

A4766STRAIGHT



Part	Description	Line Size mm	Height mm	Fixing Hole Centres mm	Weight g	Fixing Hole Size mm	Cam Cleat	Maximum Working Load kg
A4466	Angled With Medium Allenite Cleat	4 - 10	72	3 x 27	137	5	A.676	120
A4466Straight	Straight With Medium Allenite Cleat	4 - 10	62	3 x 27	137	5	A.676	120
A4566	Angled With Medium Ball Bearing Cleat	4 - 10	72	3 x 27	168	5	A..76	150
A4566Straight	Straight With Medium Ball Bearing Cleat	4 - 10	62	3 x 27	168	5	A..76	150
A4766	Angled With Small Allenite Cleat	2 - 6	57	3 x 27	100	5	A.677	120
A4766Straight	Straight With Small Allenite Cleat	2 - 6	47	3 x 27	100	5	A.677	120



A4866

A4866X

Part	Description	Line Size mm	Height mm	Fixing Hole Centres mm	Weight g	Fixing Hole Size mm	Cam Cleat	Maximum Working Load kg
A4866	Angled With Small Ball Bearing Cleat	2 - 6	57	3 x 27	114	5	A..77	150
A4866X	Ball Bearing Swivel With Angled Base	2 - 6	82	3 x 27	141	5	A..77	150



A4866XB

A4866XB-Angled

Part	Description	Line Size mm	Height mm	Fixing Hole Centres mm	Weight g	Fixing Hole Size mm	Cam Cleat	Maximum Working Load kg
A4866XB	Flat Ball Bearing Base With Sheaved Fairlead	2 - 6	57	3 x 27	120	5	A..77	150
A4866XB-Angled	Angled Ball Bearing Base With Sheaved Fairlead	2 - 6	92	3 x 27	141	5	A..77	150



A4867

A4876

Part	Description	Line Size mm	Height mm	Fixing Hole Centres mm	Weight g	Fixing Hole Size mm	Cam Cleat	Maximum Working Load kg
A4867	360 Swivel Cleat With Optional Stop 45/60/80	2 - 6	52	3 x 19	77	5	A.677	100
A4876	Through Deck Control Line Lead Cleat	4 - 6	63	4 x 29	120	5	A..77	150

Clamcleats®

The innovative range of Clamcleat® rope cleats for control lines and trapezes. Made from high pressure die cast aluminium, finished in silver or hard anodising.

Please visit www.clamcleat.com for more information



Part	Description	Rope Diameter mm	Fixing Hole Centres mm	Length mm	Width mm	Height mm	Weight g
C203	Clamcleat Junior	3 - 6	66	82	18	23	17
C211M1	MK 1 Racing Junior Silver	3 - 6	66	82	18	23	34
C211M1A	MK 1 Racing Junior Anodised	3 - 6	66	82	18	23	34
C211M2	MK 2 Racing Junior Silver	3 - 6	27	55	16	20	23
C211M2A	MK 2 Racing Junior Anodised	3 - 6	27	55	16	20	23
C211MK2/S2	MK 2 Racing Junior Silver With Becket	3 - 6	27	55	16	20	23
C211MK2/S2AN	Mk 2 Racing Junior Anodised With Becket	3 - 6	27	55	16	20	23
C217M1	Mk 1 Side Entry Silver Starboard	3 - 6	66	82	18	23	32
C217M1A	Mk 1 Side Entry Anodised Starboard	3 - 6	66	82	18	23	32
C218M1	Mk 1 Side Entry Silver Port	3 - 6	66	82	18	23	32
C218M1A	Mk 1 Side Entry Anodised Port	3 - 6	66	82	18	23	32
C218M2	MK 2 Side Entry Silver Port	3 - 6	27	55	17	20	24
C222	Racing Mini Silver	3 - 6	36	48	15	21	16
C222A	Racing Mini Anodised	3 - 6	36	48	15	21	16
C230	Racing Junior MK1 With Roller	3 - 6	66	82	18	23	35
C236A	Roller Fairlead MK 1 Racing Junior Anodised	3 - 6	66	82	18	25	40
C253	Trapeze And Vang Clamcleat Silver	4 - 8	72	90	18	35	46
C253A	Trapeze And Vang Clamcleat Anodised	4 - 8	72	90	18	35	46
C257	Auto-Release Racing Mini	4 - 6	36	68	22	28	31
C268	Racing Micros	1 - 4	24	44	13	16	13
C270A	Racing Micros With Becket Anodised	1 - 4	24	44	13	19	14

V Cleats

Simple and cost effective. The V Cleat is one of the original methods for cleating rope and to this day is still the favoured option for many applications. V Cleats are the perfect choice for low to medium loaded applications where a quick and easy adjustment or release of rope is required. V cleats are commonly used to cleat tensioning systems for awnings, flag poles and simple boat control systems.



Part	Material	Fixing Hole Size mm	Rope Diameter mm	Fixing Hole Centres mm	Length mm	Height mm	Weight g
A.146	Glass Filled Nylon	4	2 - 6	53	65	15	5
A.246	Glass Filled Nylon	4	2 - 8	80	97	23	18
A.346	Glass Filled Nylon	5	3 - 12	108	129	32	51
A4146	Stainless Steel	4	3 - 6	23	29	10	9
A4246	Stainless Steel	5	2 - 6	53	67	13	10

Burgee Cleats

Originally designed for securing burgee and pennant lines, Allen Burgee Cleats have a wide range of applications and are a favourite for committee boats, race huts and club flag posts.



Part	Description	Fixing Hole Size mm	Max Rope Diameter mm	Fixing Hole Centres mm	Length mm	Height mm	Weight g
A.124	Small Burgee Cleat	3	6	63	12	23	3
A.130	Large Burgee Cleat	3	8	92	17	34	6

Mast & Deck Cleats

The classic rope cleat, used for spars, decks and numerous other applications where rope needs securing.



Part	Material	Fixing Hole Size mm	Max Rope Diameter mm	Fixing Hole Centres mm	Length mm	Height mm	Weight g
A..81	Nylon	3	5	20	62	13	6
A.181	Nylon	4	8	33	99	20	9
A.281	Nylon	5	10	48	155	27	33
A.381	Nylon	6	14	64	200	38	74
A.781	Nylon	5	11	42	133	25	22
A.481	Acetal	5	8	31	100	18	10

Pump Action Cleat

The ultimate fast cleating and automatic releasing cleat for rapid but positive hoisting. Most frequently used in conjunction with a 1:2 spinnaker halyard system with elastic take-away. Watch the video to find out more <https://www.youtube.com/watch?v=ag-3ipgrqas>



Part	Description	Fixing Hole Centres mm	Length mm	Height mm	
A2077	Pump Action Cleat	1.5 - 4	18	40	33.5

Track and Keelband



Team Provezza - Petticrows Dragon - Credit: Paul Manning

Mast Track

Extruded aluminium track profiles, suitable as luff track for a sail, securing awnings to structures and curtain side panels.



Part Number	Description	Length mm	Fixing Hole Centres mm	Fixing Hole Diameter mm	Internal Width mm	End Stop Required	To Suit Slug
A..26-1	Alloy Track Un-Anodised	3660	Undrilled	Undrilled	16	A.136	A..89 and A..95
A..26-2	Alloy Track	3660	76	5	16	A.136	A..89 and A..95
A..26-260	Alloy Track	260	Undrilled	Undrilled	16	A.136	A..89 and A..95
A..26-3	Alloy Track	300	76	5	16	A.136	A..89 and A..95
A..26-4	Alloy Track	1055	76	5	16	A.136	A..89 and A..95
A.526-1	Alloy Track Un-Anodised	2600	Undrilled	Undrilled	19	A.738	A..90 and A..92
A.526-2	Alloy Track	2600	76	5	19	A.738	A..90 and A..92
A.526TA	Alloy Track	2600	Undrilled	Undrilled	19	A.738	A..90 and A..92
A.626	Luff Groove Track	5400	Undrilled	Undrilled	5	A.824	A.158
A.626-1	Luff Groove Track Un-Anodised	5400	Undrilled	Undrilled	5	A.824	A.158
A.656	Luff Groove Track	6000	Undrilled	Undrilled	5	A.924	A.158 and A.958
A.656-UNANOD	Luff Groove Track Un-Anodised	6000	Undrilled	Undrilled	5	A.924	A.158 and A.958
A.824	Sail Feeder	15	20	4	10.5	-	A.626
A.924	Sail Feeder	30	-	4	9.5	-	A.656

Track For Travellers

Alloy track designed for use with our range of traveller cars. Available in anodised black or silver with pre-drilled fixing holes. Also available un-anodised and with no fixing holes.



Part Number	Description	Length mm	Fixing Hole Centres mm	Fixing Hole Diameter mm	End Stop Required	Colour
A.226-1	Alloy Track Un-Anodised	3660	Undrilled	Undrilled	A.136	Silver
A.226-1000	Alloy Track Anodised	1000	76	4	A.136	Silver
A.226-2	Alloy Track Anodised	3660	76	4	A.136	Silver
A.226-222Black	Alloy Track Anodised	222	76	4	A.136	Black
A.226-230	Alloy Track Anodised	230	76	4	A.136	Black
A.226-330	Alloy Track Anodised	330	76	4	A.136	Silver
A.226-5	Alloy Track Anodised	565	76	4	A.136	Silver
A.326-1	Alloy Track Un-Anodised	3660	Undrilled	Undrilled	A.736	Silver
A.326-2	Alloy Track Anodised	3660	75	5	A.736	Silver
A.726-4	Alloy Track Anodised	1043	75	5	A.736	Silver
A.726-5	Alloy Track Anodised	375	75	5	A.736	Silver
A.816-0.9	Alloy Track Anodised	900	75	4	A.916	Black
A.816-1500	Alloy Track Anodised	1500	75	4	A.916	Black
A.816-3.0	Alloy Track Anodised	3000	75	4	A.916	Black
A.819-0.9	Alloy Track Anodised	900	100	5	A.946	Black
A.819-3.0	Alloy Track Anodised	3000	100	5	A.946	Black
A.826-2	Alloy Track Anodised	3660	100	5	A.536 / A.936	Black
A.826-3	Alloy Track Anodised	3660	Undrilled	Undrilled	A.536 / A.936	Black
A.826-5	Alloy Track Anodised Black	900	100	5	A.536 / A.936	Black
A.826B-1.5	Alloy Beam Track Anodised	1500	Undrilled	Undrilled	A.937 / A.946	Black
A.826B-3.0	Alloy Beam Track Anodised	3000	Undrilled	Undrilled	A.937 / A.946	Black

Part Number	Description	Length mm	Fixing Hole Centres mm	Fixing Hole Diameter mm	End Stop Required	Colour
A.226-1	Alloy Track Un-Anodised	3660	Undrilled	Undrilled	A.136	Silver
A.226-1000	Alloy Track Anodised	1000	76	4	A.136	Silver
A.226-2	Alloy Track Anodised	3660	76	4	A.136	Silver
A.226-222Black	Alloy Track Anodised	222	76	4	A.136	Black
A.226-230	Alloy Track Anodised	230	76	4	A.136	Black
A.226-330	Alloy Track Anodised	330	76	4	A.136	Silver
A.226-5	Alloy Track Anodised	565	76	4	A.136	Silver
A.326-1	Alloy Track Un-Anodised	3660	Undrilled	Undrilled	A.736	Silver
A.326-2	Alloy Track Anodised	3660	75	5	A.736	Silver
A.726-4	Alloy Track Anodised	1043	75	5	A.736	Silver
A.726-5	Alloy Track Anodised	375	75	5	A.736	Silver
A.816-0.9	Alloy Track Anodised	900	75	4	A.916	Black
A.816-1500	Alloy Track Anodised	1500	75	4	A.916	Black
A.816-3.0	Alloy Track Anodised	3000	75	4	A.916	Black
A.819-0.9	Alloy Track Anodised	900	100	5	A.946	Black
A.819-3.0	Alloy Track Anodised	3000	100	5	A.946	Black
A.826-2	Alloy Track Anodised	3660	100	5	A.536 / A.936	Black
A.826-3	Alloy Track Anodised	3660	Undrilled	Undrilled	A.536 / A.936	Black
A.826-5	Alloy Track Anodised Black	900	100	5	A.536 / A.936	Black
A.826B-1.5	Alloy Beam Track Anodised	1500	Undrilled	Undrilled	A.937 / A.946	Black
A.826B-3.0	Alloy Beam Track Anodised	3000	Undrilled	Undrilled	A.937 / A.946	Black



Part Number	Description	To Suit Track
A.136	End Stop	A.226 / A.326 / A.726
A.738	End Stop	A.526
A.736	End Stop	A.726 / A.326
A.536	End Stop	A.826
A.916	End Stop	A.816
A.936	End Stop	A.826
A.937	Pro-Lock Slug - M6 insert	A.826B (A4491)
A.940	End Stop	A.826B
A.946	End Stop	A.819
A4736	Adjustable End Stop	A.826 & A.826B

Track End Stops Complementary moulded end stops for our range of extruded track.

Keelbands Anodised extruded aluminium keelband profiles both drilled and undrilled to fit a flat or curved mounting surface.

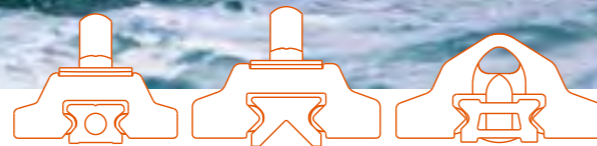
Part Number	Description	To Suit Track	Length mm	Fixing Hole Centres mm	Fixing Hole Diameter mm
A.136	End Stop	A.226 / A.326 / A.726			
A.738	End Stop	A.526			
A.736	End Stop	A.726 / A.326			
A.536	End Stop	A.826			
A.916	End Stop	A.816			
A.936	End Stop	A.826			
A.937	Pro-Lock Slug - M6 insert	A.826B (A4491)			
A.940	End Stop	A.826B			
A.946	End Stop	A.819			
A4736	Adjustable End Stop	A.826 & A.826B			
A.302	Light Weight Alloy Keelband		3050	Undrilled	Undrilled
A.303	Light Weight Alloy Keelband		3050	102	4
A.402	Convex Alloy Keelband		3300	Undrilled	Undrilled
A.403	Convex Alloy Keelband		3300	102	4

Deck and Hull Fittings

In the following section you will find our huge range of deck and hull fittings which ranges from CNC machined traveller cars to colourful anodised deck bushes, and everything in-between.



Ovington 29er - Credit: Pedro / Sailing Energy



Traveller Cars

Allen Traveller Cars are CNC machined from solid high grade aluminium and feature recirculating ball bearings to give a durable, strong and smooth performance every time you tack.

Available in 3 sizes:

Mini Profile: Our smallest and lightest traveller car to suit lightweight dinghy applications. Goes with track A.816

Traveller car sizes

	A4389	A4489	A4589Tii
Mini	Low	Maxi	
Height:	30mm	Height: 32mm	Height: 26mm
Length:	50mm	Length: 60mm	Length: 70mm
Width:	40mm	Width: 46mm	Width: 50mm
Weight:	50g	Weight: 65g	Weight: 56.6g
MWL:	120kg	MWL: 180kg	MWL: 230kg
Breaking Load:	800kg	Breaking Load: 1200kg	Breaking Load: 1400kg



Part Number	Description	To Suit Track	Diameter Of Eye mm	Height mm	Length mm	Width mm	Weight g	Accessories	*MWL kg	*BL kg
A4289	Mini Profile Traveller Car For Universal Fittings	A.816	5	18	49	40	57	-	120	800
A4389	Mini Profile Traveller Car	A.816	-	30	50	40	50	-	120	800
A4389J	Mini Profile Traveller Car With Block and P Clip	A.816	6	31	90	40	70	A2026 / A4035	120	800
A4389M	Mini Profile Traveller Car With Blocks	A.816	6	28	106	40	80	A2026	120	800
A4389Tii	Mini Profile Car With Tii-On Attachment	A.816	4	18	50	40	40	-	120	800

*MWL = Maximum Working Load *BL = Breaking Load

Low Profile: Our midrange Mini Traveller Car and designed for heavier duty dinghy applications and light weight keelboat applications. Goes with track A.826



Part Number	Description	To Suit Track	Max Line Dia. mm	Diameter Of Eye mm	Height mm	Length mm	Width mm	Weight g	Accessories	*MWL kg	*BL kg
A29STJS-CAR	29er Jib Car			5	60	49	40	83	A2030	120	800
A4244	Low Profile Nylon Traveller Car With Lacing Eye	A.826	-	10	32	70	45	87	A4376	180	1200
A4489	Low Profile Traveller Car	A.826	-	5	32	60	46	65	-	180	1200
A4489F	Low Profile Traveller Car With Fork Attachment	A.826	-	6	35	60	46	65	-	180	1200
A4489J	Low Profile Traveller Car With Block And P Clip	A.826	6	5	33	90	46	95.6	A2026 / A4035	180	1200
A4489M	Low Profile Traveller Car With Blocks	A.826	6	5	32	105	46	94	-	180	1200
A4489-SOLO	Low Profile Traveller Car For Solo Dinghy	A.826	6	-	60	70	70	90	A.677-497 / A4086B	180	1200
A4489Tii	Low Profile Car For Tii-On Attachment	A.826	6	-	17	60	46	43	-	180	1200

Maxi Profile: Our biggest and most durable traveller car to suit the heaviest duty dinghy applications and medium keelboat applications. Goes with track A.819



Part Number	Description	To Suit Track	Max Line Dia. mm	Diameter Of Eye mm	Height mm	Length mm	Width mm	Weight g	Accessories	*MWL kg	*BL kg
A4589CAT676 A4589CAT677	Maxi Profile Traveller Car For Catamaran	A.819	10	-	70	70	50	115	A.676-496	230	1400
A4589M	Maxi Profile Traveller Car With Blocks	A.819	6	-	65	70	50	115	A.677-497	230	1400
A4589Tii	Maxi Profile Traveller Car With Tii-On Attachment	A.819	10	-	50	70	50	147	A2036	230	1400
A3302	Catamaran Mainsheet Traveller Car	A.819	8	-	26	70	50	56.6	-	230	1400
		-	6	20	105	90	69	269	A4766	80	150

Self Tacking Jib System

The Allen self-tacking system is the strongest dinghy system available on the market. Carefully designed, the CNC turned adjustable aluminium legs allow the geometry to work on the curved beam track at any angle, whilst the A4489F traveller car has a forked attachment point. Hard anodised black.



Part	Description	Length mm
A4491	Self Tacking Jib System Complete	1100
A4491-1.2	Self Tacking Jib System Complete	1200

Sliding Fairleads & Sheet Leads

Allen Sliding Fairlead and Sheet Leads are ideal for jib sheeting. The piston stop allows for adjustment to the required sheeting angles, whilst the variety of available cam cleat and fairlead accessories give the best possible performance. All Sliding Fairlead and Sheet Leads are supplied as a pair with track, end stops and fastenings all included.



A4274 A4274-76 A4274TZ A4474 A4474-76 A4490

Part Number	Description	Track Length mm	Distance Between Adjustments mm	Maximum Rope Size mm	Cleat	Track	Fixing Hole Centres mm	Fixing Hole Diameter mm	Number Of Fixing Holes
A4274	Piston Stop Nylon Fairlead Cam Cleat	375	19	10	A.676	A.326	76	5	5
A4274-76	Piston Stop Nylon Fairlead Cam Cleat	375	19	10	A..76	A.326	76	5	5
A4274TZ	Piston Stop Nylon Fairlead Cam Cleat	451	19	10	A.676	A.326	76	5	6
A4474	Piston Stop Wire Fairlead Vertical Cam Cleat	300	19	10	A.676	A.326	76	5	4
A4474-76	Piston Stop Wire Fairlead Vertical Cam Cleat	300	19	10	A..76	A.326	76	5	4
A4490	Adjustable Jib Track With A2030	450	-	8	-	A.826	100	5	6
A4573	Sliding Wire Fairlead With Piston Stop	330	19	-	-	A.226	56	4	6
A4574	Piston Stop Wire Fairlead With A2030	330	19	8	-	A.226	56	4	5
A4587	Piston Stop Bullseye Fairlead With Swivel Cleat	300	19	10	A..76	A.226	76	4	4
A4590	Adjustable Jib Slider And Track	222	19	-	-	A.226	56	4	4

Track Slides

CNC machined aluminium or pressed stainless steel track slides with spring loaded piston stop options. The pressed options stainless steel slides are supplied with acetal runners for smooth adjustment.



Part Number	Description	To Suit Track	Weight g	Length mm	Height mm	Width mm
A4089	Mainsheet Slider	A.226	35	51	34	29
A4354	Slider With Piston Stop And Lacing Eye	A.326/A.726	81	76	28	39
A4575	Sliding Fairlead With Piston Stop	A.226	60	51	30	30
A4591	Black Sliding Fairlead With Piston Stop	A.226	62	66	30	26

Bow & Shroud Plates

Formed stainless steel Bow Plates feature jib and forestay attachment points. Shroud plates have formed holes to suit countersunk screws.



Part Number	Description	Length mm	Width mm	Thickness mm	Fixing Hole Centres mm	Slot / Tenon mm	Weight g
A4001E	Bow Plate	105	17	1.7	36	-	79
A4001S	Bow Plate	158	20	1.7	36	-	-
A4001-EPS	EPS Bow Tang	50	63	2	24	-	31
A4001W	Bow Plate Wayfarer	35	20	1.7	36	-	54
A4025	Shroud Plate Pair	194	16	2	57	-	37
A4025S	Reinforced Shroud Plate Cover Pair	194	16	2	57	-	50
A4171	Shroud Plate Cover With Small Slot	64	16	2	47	16 x 2	12
A4171S	Shroud Plate Cover With Large Slot	64	16	2	47	16 x 4	12
A4225	Bow Plate	94	87	1.7	-	-	103
A5850	Laser Deck Plate	51	26	2	25	-	2

Snatch Fairleads & Lacing Hooks

Our Snatch Fairleads and Lacing Hooks are moulded from acetal, perfect for leading or attaching lines and shock cord.



Part Number	Description	Rope Diameter mm	Height mm	Length mm	Fixing Hole Centres mm	Distance Between Fixings mm	Weight g
A..61	Acetal Lacing Hook	5	16	25	3	16	2
A.135	Nylon Lacing Hook	8	20	49	4	19	4
A.148	Nylon Lacing Hook	5	16	49	3	14	2
A.248	Nylon Lacing Hook	4	18	57	4	43	4
A.435	Acetal Snatch Lead	10	25	55	4	40	8
A.535	Acetal Snatch Lead	12	34	72	5	53	21

Hatch Covers

Our Hatch Covers are made from a lightweight polypropylene and are available in a black, white, grey and easy to open designs.

A.137 and A.237 are a non 'O' ring design and have exposed fixings.

A.337, A.537 and A.637 all require a rubber 'O' Ring to keep them water tight.

A1737, A1837 and A1937 feature a fully threaded cover with watertight seal.

When ordering please specify which colour.



Part Number	Description	Fixing Hole Size mm	Cut Out Size mm	Opening Size	'O' Ring Required	Weight g	Colour Choice
A.337	O Ring Seal Hatch Cover	3	110	100	A.338	62	Grey/Black/White
A.337-BAG	O Ring Seal Hatch Cover With Hatch Bag	3	110	100	A.338	62	Grey/Black/White
A.537	O Ring Seal Hatch Cover	3	157	145	A.538	111	Grey/Black/White
A.537-BAG	O Ring Seal Hatch Cover With Hatch Bag	3	157	145	A.538	111	Grey/Black/White
A.637	O Ring Seal Hatch Cover	3	241	223	A.638	266	Grey/Black/White
A1737	Integral Seal Rigid Hatch Cover	4	108	100	-	84	Grey/Black/White
A1837	Integral Seal Rigid Hatch Cover	4	138	130	-	117	Grey/Black/White
A1937	Integral Seal Rigid Hatch Cover	4	154	148	-	142	Grey/Black/White
A.338	Rubber Sealing O Ring For A.337/A.337W	-	-	-	-	-	-
A.538	Rubber Sealing O Ring For A.537/A.537W	-	-	-	-	-	-
A.638	Rubber Sealing O Ring For A.637/A.637W	-	-	-	-	-	-
SA.737	Rubber Sealing O Ring For A1737	-	-	-	-	-	-
SA.837	Rubber Sealing O Ring For A1837&A1937	-	-	-	-	-	-
A-BAG-KIT	Hatch Cover Bag With Fixing Screw	-	-	-	-	-	-

U Bolt

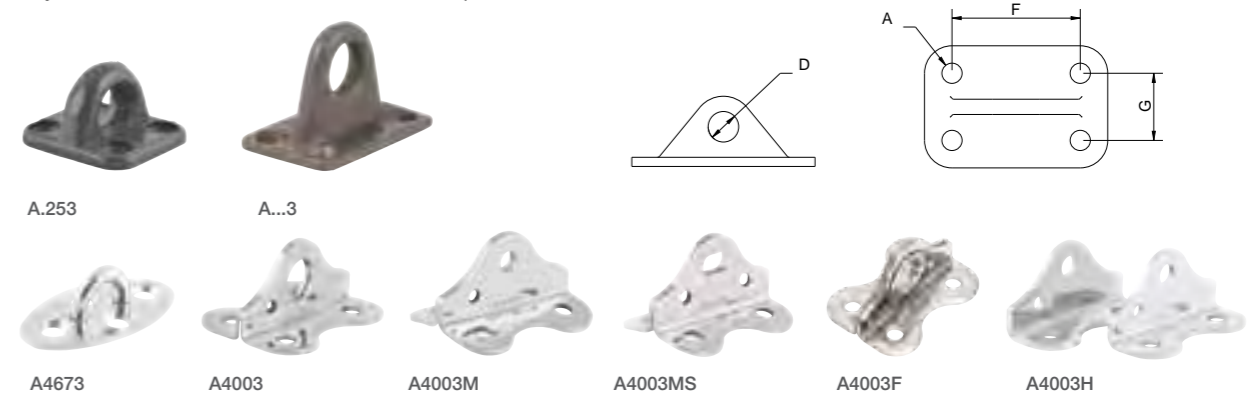
Made from 316 stainless steel, Allen U Bolt's are designed to withstand high loads without distortion. Supplied with top plate, backing plate and nuts.



Part Number	Description	Rod Size mm	Fixing Hole Centres mm	Height mm	Thread Length mm	Weight g	Inside Diameter mm
A4371	U Bolt With Top & Bottom Backing Plate	5	28	43	20	24	23
A4371L	U Bolt With Top & Bottom Backing Plate	5	28	51	20	29	23
A4471	U Bolt With Top & Bottom Backing Plate	6	38	58	25	54	32
A4571	U Bolt With Top & Bottom Backing Plate	8	51	75	25	115	43
A4671	U Bolt With Top Backing Plate	6	38	77.5	39	53	32
A4671XT	U Bolt With Nut & Washer	6	38	120	96	91	32
A4671XT-FT	U Bolt With Tang, Nut & Washer	6	38	120	96	91	32
A4871	U Bolt With Heavy Duty Top & Bottom Backing Plate	6	28	43	20	60	22
A4871X	U Bolt With Heavy Duty Top & Bottom Backing Plate	6	28	50	25	62	22
A4512	U Bolt With Lowers & Bottom Backing Plate	6	28	80	25	100	22

Anchor Plates

Nylon, aluminium or stainless steel anchor plates.



Part Number	Description	D Inside Diameter mm	A Fixing Hole Size mm	F&G Fixing Hole Centres mm	Weight g
A.253	Nylon Anchor Plate	6	3	18 x 13	4
A...3	Aluminium Anchor Plate	12	5	34 x 16	19
A4673	Stainless Steel Looped Anchor Plate	13	6.5	18 x 17	23
A4003	Stainless Steel Flat Anchor Plate	11	5	27 x 16	24
A4003M	Stainless Steel Radiused Anchor Plate	5	5	27 x 16	24
A4003MS	Stainless Steel Radiused Anchor Plate, Wide Hole	13 x 6	5	29 x 16	24
A4003F	Stainless Steel Flat Anchor Plate With Ferrule	9	5	27 x 16	27.2
A4003H	Stainless Steel Split Halves Anchor Plate	5	5	27 x 16	24



Lacing Eyes & Eye Straps A comprehensive range of pressed and forged stainless steel lacing eyes and eye straps.



Part Number	Description	Height mm	Fixing Hole Size mm	Fixing Hole Centres mm	Weight g
A4388	Pressed Stainless Steel V Style Lacing Eye - Small	8	4	27	1.5
A4488	Pressed Stainless Steel V Style Lacing Eye - Medium	14	6	39	4



Part Number	Description	Height mm	Fixing Hole Size mm	Fixing Hole Centres mm	Weight g
A4288	Pressed Stainless Steel Lacing Eye - Small	8	3	22	1
A4073	Pressed Stainless Steel Lacing Eye - Medium	12	5	34	4
A4088	Pressed Stainless Steel Lacing Eye - Large	16	5	41	5
A4088-6.5	Pressed Stainless Steel Lacing Eye	18.6	6.5	41	5
A4588	Pressed Stainless Steel Lacing Eye - XLarge	32	6	53	12



Part Number	Description	Height mm	Fixing Hole Size mm	Fixing Hole Centres mm	Weight g
A6050	Pressed Stainless Steel Lacing Eye - Small	12	4.2	28	2
A6051	Pressed Stainless Steel Lacing Eye - Medium	14	5	34	5
A6052	Pressed Stainless Steel Lacing Eye - Large	19	5.3	44	11



Part Number	Description	Height mm	Fixing Hole Size mm	Fixing Hole Centres mm	Weight g
A.262	4 Way Nylon Lacing Eye	6	6	-	5



Part Number	Description	Height mm	Fixing Hole Size mm	Fixing Hole Centres mm	Weight g
A4376	Wide Pressed Stainless Steel Lacing Eye - Small	8	5	40	3
A4377	Wide Pressed Stainless Steel Lacing Eye - Medium	12	5	38.8	7
A4276	Wide Pressed Stainless Steel Lacing Eye - Large	20	5	45	7



Part Number	Description	Height mm	Fixing Hole Size mm	Fixing Hole Centres mm	Weight g
A4035	Pressed Clip Stainless Steel Lacing Eye	15	5	-	5
A4035-6	Pressed Clip Stainless Steel Lacing Eye	15	6	-	6
A4036	Pressed Offset Lacing Eye	11	5	15	4
A4038	Pressed Clip Stainless Steel Lacing Eye	6	3	-	1.7
A4038-4	Pressed Clip Stainless Steel Lacing Eye	9	4	-	2



Part Number	Description	Height mm	Fixing Hole Size mm	Fixing Hole Centres mm	Weight g
A5014	Forged Stainless Steel Eye Strap - Small	14	4	27	3.2
A5015	Forged Stainless Steel Eye Strap - Medium	18	5	35.5	6.4



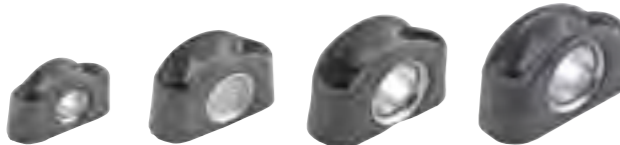
Part Number	Description	Height mm	Fixing Hole Size mm	Fixing Hole Centres mm	Weight g
A5014F	Forged Stainless Steel Eye Strap With Ferrule - Small	8	4	27	3.6
A5015F	Forged Stainless Steel Eye Strap With Ferrule - Medium	10	5	35.5	8.2

Fairleads

Our fairleads come in a variety of styles (both stainless steel lined and unlined) to suit your rope leading needs. Suitable for dinghies and keelboats. Some are available in a variety of colours, please speak to our sales team to find out which colours are available for each product.



Part Number	Description	Inside Diameter mm	Fixing Hole Size mm	Fixing Hole Centres mm	Weight g
A..52	Bullseye Fairlead	7	4	15	3
A.452	Bullseye Fairlead	11	4	18	4
A.152	Bullseye Fairlead	14	5	25	8
A.252	Bullseye Fairlead	19	5	34	28



Part Number	Description	Inside Diameter mm	Fixing Hole Size mm	Fixing Hole Centres mm	Weight g
A4052	Bullseye Fairlead With Stainless Steel Inner	6	4	15	4
A4452	Bullseye Fairlead With Stainless Steel Inner	10	4	18	6
A4152	Bullseye Fairlead With Stainless Steel Inner	13	4	25	12
A4252	Bullseye Fairlead With Stainless Steel Inner	20	5	34	32



Part Number	Description	Inside Diameter mm	Fixing Hole Size mm	Fixing Hole Centres mm	Weight g
A.182	Open Base Fairlead	7	4	23	6
A.282	Open Base Fairlead	9	5	23	6
A.282A	Open Base Fairlead Aluminium	9	5	23	13
A.382	Open Base Fairlead	13	4	25	9



Part Number	Description	Inside Diameter mm	Fixing Hole Size mm	Fixing Hole Centres mm	Weight g
A4182	Open Base Fairlead With Stainless Steel Inner	6	4	25	5
A4282	Open Base Fairlead With Stainless Steel Inner	8	5	24	8
A4382	Open Base Fairlead With Stainless Steel Inner	10	4	27	11



Part Number	Description	Inside Diameter mm	Fixing Hole Size mm	Fixing Hole Centres mm	Weight g
A.153	Low Profile Fairlead	7	3	20	3
A4153	Low Profile Fairlead With Stainless Steel Inner	6	3	20	4
A.134	Acetal Fairlead (Laser® Bow)	30	5	50	29
A.134RB-CAN	Acetal Fairlead (Laser® Bow)	30	5	50	29

Keelboat Fairleads

Allen Keelboat Fairleads have been designed for use on boats up to 40ft/12m where a shallow angle deflection is required for any control line or sheet. Available in a wide range of shapes and sizes to suit a variety of applications. Manufactured from high marine grade 7075 aluminium for extra strength and corrosion resistance. Hard anodised in black with a pad printed Allen logo.



Part Number	Description	Inside Diameter mm	Fixing Hole Size mm	Fixing Hole Centres mm	Weight g
A5052-4	Keelboat Fairlead	24 X 12	4	25.6	14
A5052-6	Keelboat Fairlead	36 X 18	6	38.4	39
A5052-8	Keelboat Fairlead	48 X 24	8	51.2	104
A5052-10	Keelboat Fairlead	60 X 30	10	64	189
A5052-12	Keelboat Fairlead	72 X 36	12	76.8	307
A5053-4	Keelboat Jib Sheet Fairlead	Oblong Hole - 12 X 24 - Round Hole - 12	4	27.2	23
A5053-6	Keelboat Jib Sheet Fairlead	Oblong Hole - 36 X 18 - Round Hole - 18	6	40.8	64
A5053-8	Keelboat Jib Sheet Fairlead	Oblong Hole - 48 X 24 - Round Hole - 24	8	54.4	170
A5054-6	Keelboat Sheet Deflector	10	6	22.5	14
A5054-8	Keelboat Sheet Deflector	13.3	8	30	31
A5054-10	Keelboat Sheet Deflector	16.7	10	37.5	55
A5054-12	Keelboat Sheet Deflector	20	12	45	82
A5054-16	Keelboat Sheet Deflector	26.7	16	60	206

Self Tapping Nuts

Self tapping nylon nuts commonly used with wood screws are an alternative option to bolt and nuts.



Part Number	Description	Length mm	Height mm	Bore g
A.129	Small Self Tapping Wing Nut	29	7	3
A.229	Medium Self Tapping Wing Nut	36	12	3.8
A.329	Self Tapping Square Nut	17	12.5	3.9

Self Bailer

Our original self-bailer, A4155, is the lightest self-bailer on the market and drains exceptionally well even at low speeds. Our high performance self-bailer, A4555, gains advantage from it's delta design that increases drainage flow while reducing drag and turbulence.



A4555KIT

Part Number	Description	Weight g
A.155	Self Bailer With No Gaurd	77
A4155	Self Bailer With Stainless Steel Guard	81
A4155KIT	Spares For Bailer A4155	-
A4255	Self Bailer Gaurd	35.7
A4555	Advanced 'Delta' Self Bailer	182
A4555KIT	Spares For Bailer A4555	-

Drain Sockets & Bungs

We manufacture a variety of bungs and sockets that are ideal for draining water from the inside of dinghy hulls and other buoyancy compartments. Available in both captive and non captive forms.



52802

A.123

A.223

A.323

A.323W



A.423

A.424

A1231

A1232

Part Number	Description	Fixing Hole Size mm	Fixing Hole Centres mm	Outside Diameter mm	Inside Diameter mm	Weight g	Material
52802	Plastic Bung No Socket	-	-	-	-	4-	Nylon
A.123	Drain Socket	3	28	19	17	3	Nylon
A.223	Drain Socket With Captive Bung	3	30 x 30 x 30	26	-	7	Nylon
A.323	Drain Socket With Captive Screw Bung	3	38	24	-	11	Nylon
A.323W	White Drain Socket With Captive Screw Bung	3	38	24	-	11	Nylon
A.423	Drain Socket With Removable Screw Bung	4	36	22	17	22	Nylon
A.424	Screw Bung	-	-	16	-	7.1	Nylon
A1231	Bung	-	-	23 Min	-	15	TPU Polyurethane
A1232	Rubber Bung To Fit A.123	-	-	15 Min	-	8	Rubber

Deck Bushes

Deck Bushes come in a variety of different styles to suit your rope leading needs. Available in nylon, stainless steel lined nylon and anodised aluminium. SS = Stainless Steel



A..39

A.239

A.339

A.139

Part Number	Description	Inside Diameter mm	Outside Diameter mm	Fixing Hole Size mm	Column Depth mm	Fixing Hole Centres mm	Weight g
A..39	Through Deck Bush With Flange	9	19	3	9	28	3
A.239	Through Deck Bush With Flange	12	22	3	9	31	4
A.339	Through Deck Bush With Flange	15	25	3	9	36	5
A.139	Through Deck Bush With Flange	20	33	3	9	44	7



A4039

A4239

A4339

A4139

Part Number	Description	Inside Diameter mm	Outside Diameter mm	Fixing Hole Size mm	Column Depth mm	Fixing Hole Centres mm	Weight g
A4039	Through Deck Bush With Flange And SS Inner	6	19	3	9	28	5
A4239	Through Deck Bush With Flange And SS Inner	11	22	3	9	31	9
A4339	Through Deck Bush With Flange And SS Inner	13	25	3	9	36	12
A4139	Through Deck Bush With Flange And SS Inner	20	33	3	9	45	12



A.439
A.439-14

A539
A539-14

A4439
A4439-14

A4539
A4539-14

A..40
A..40-12

A8040-34
A8040-56

Part Number	Description	Inside Diameter mm	Outside Diameter mm	Column Depth mm	Weight g
A.439	Through Deck Bush	8	13	8	0.5
A.439-14	Through Deck Bush	8	13	14	2
A.539	Through Deck Bush	13	16	8	2
A.539-SS	Stainless Steel Through Deck Bush	13	16	8	2
A.539-14	Through Deck Bush	13	16	14	2
A4439	Through Deck Bush With Stainless Steel Inner	6	13	8	3
A4439-14	Through Deck Bush With Stainless Steel Inner	6	13	14	3.5
A4539	Through Deck Bush With Stainless Steel Inner	13	16	8	4
A4539-14	Through Deck Bush With Stainless Steel Inner	13	16	14	5.7
A..40	Stainless Steel Fairlead	11 x 35	14 x 37	18	12
A..40-12	Stainless Steel Fairlead	11 x 35	14 x 37	9	7
A8040-34	Aluminium Rope Guide	8 x 34	11 x 38	6	10
A8040-56	Aluminium Rope Guide	16 x 56	20 x 60	7	13

Flanged Deck Bushes

A through deck bush, also known as a fairlead, is designed to protect a surface from a rubbing rope or wire, they can also be used as a deflecting point. In most applications, a through deck bush is used to guide a rope through a surface, such as the thwart or strut of a boat. It also offers protection to the material the rope or wire is passing through. Aluminium through deck bushes are available in a choice of 6 colours, allowing you to add a personalised touch.



Part Number	Description	Fixing Hole Centres mm	Fixing Hole Depth mm	Fixing Hole Diameter mm	Inside Diameter mm	Outside Diameter mm	Weight g
A8039	Flanged Deck Bush	29	9	4	8	13	9
A8139	Flanged Deck Bush	44	9	4	23	33	16
A8239	Flanged Deck Bush	39	9	4	13	21	10
A8339	Flanged Deck Bush	36	9	4	15	24	12

Aluminium & Titanium Deck Bushes

Aluminium and Titanium deck bushes are lightweight and long lasting and available in both threaded and push in versions. The threaded through deck bush allows for a perfect fit on both sides of the fitting surface. Aluminium versions are available in a variety of anodised colours.



Part Number	Description	Inside Diameter mm	Outside Diameter mm	Structure Depth mm	Weight g
A.439A/A.539A	Aluminium Through Deck Bush	8	13	8	3
A.539A	Aluminium Through Deck Bush	12	16	8	4
A.539-SS	Stainless Steel Through Deck Bush	12	16	8	4
A8439-7	Aluminium Threaded Through Deck Bush	8	13	7 Min - 9 Max	3.7
A8539-7	Aluminium Threaded Through Deck Bush	12	16	7 Min - 9 Max	6
A8439-9	Aluminium Threaded Through Deck Bush	8	13	9 Min - 14 Max	5
A8539-9	Aluminium Threaded Through Deck Bush	12	16	9 Min - 14 Max	6
A8439-13	Aluminium Threaded Through Deck Bush	8	13	13 Min - 18 Max	5
A8539-13	Aluminium Threaded Through Deck Bush	12	16	13 Min - 18 Max	7
A8439-17	Aluminium Threaded Through Deck Bush	8	13	17 Min - 22 Max	6
A8539-17	Aluminium Threaded Through Deck Bush	12	16	17 Min - 22 Max	8
A8439-21	Aluminium Threaded Through Deck Bush	8	13	21 Min - 26 Max	7
A8539-21	Aluminium Threaded Through Deck Bush	12	16	21 Min - 26 Max	8.5
A8439-25	Aluminium Threaded Through Deck Bush	8	13	25 Min - 30 Max	7.5
A8539-25	Aluminium Threaded Through Deck Bush	12	16	25 Min - 30 Max	9.5
A8439-29	Aluminium Threaded Through Deck Bush	8	13	29 Min - 34 Max	8.5
A8539-29	Aluminium Threaded Through Deck Bush	12	16	29 Min - 34 Max	10.5
A8439-35	Aluminium Threaded Through Deck Bush	8	13	35 Min - 40 Max	9
A8539-35	Aluminium Threaded Through Deck Bush	12	16	35 Min - 40 Max	11

Pad-Tii

Our range of aluminium through deck bushes and threaded through deck bushes have been well received by the industry so we have decided to continue with the development.

The logical product progression being fixing tie on blocks to the deck or bulkhead. There are a number of companies producing products that provide this, so we decided to think a little more laterally and have come up with a range of Pad-Tii that have some additional design features.

A number of current products require the integral pad and associated tie on rope to be permanently bonded to a surface, which doesn't readily allow replacement of worn rope.

Pad-Tii's are a soft attachment deck fitting which are a great choice if you are looking to add an attachment point to a surface that is low profile and easy to thread rope around.

Available in two styles

Pad-Tii with fixed Tii-Bar – This version is our simplest option. Installation is easy as there are only two pieces. Push the threaded through deck piece into the required fitting surface. The washer piece is then screwed on from the underside of the mounting surface, both pieces can then be tightened using a pair of circlip tools. For complete water tightness, it is recommended a small amount of sealant is used.

Pad-Tii with removable Tii-Bar - Comes in 3 pieces, a male and female through deck fitting and the removable Tii-bar. To install, insert the female through deck part to the underside of the mounting surface. Make a loop with your rope and insert through the male part, then slide the Tii-Bar through the loop of the rope and pull the rope tight, this will hold the Tii-Bar in place. The male part is then screwed into the female part. A set of circlip tools can be used to tighten the through deck fittings.



Part Number	Description	Fixing Hole Centres mm	Fixing Hole Depth Maximum mm	Fixing Hole Depth Minimum mm	Fixing Hole Diameter mm	Outside Diameter mm	Breaking Load kg	Maximum Working Load kg	Weight g
A8639-6	Pad-Tii	13	8	6	12.8	19	350	250	21
A8639-8	Pad-Tii	13	10	8	12.8	19	350	250	21
A8639-10	Pad-Tii	13	12	10	13	19	350	250	21
A8739-6	Pad-Tii	17	8	6	16	24	400	300	7
A8739-8	Pad-Tii	17	10	8	16	24	400	300	7
A8739-10	Pad-Tii	17	12	10	16	24	400	300	7
A8739-18	Pad-Tii	17	20	18	16	24	400	300	10
A881310	Pad-Tii Fixed Bar	13	10	4.5	12.8	19	350	250	8
A881610	Pad-Tii Fixed Bar	17	10	4.5	16	24	575	350	10
A882525	Pad-Tii Fixed Bar	25	25	5	25	38	1400	700	33

Spars and Rigging Accessories



Megan Pascoe - 2.4MR



A4272-148 A4272S A4772 A4772DR-KIT A4772HT A4272



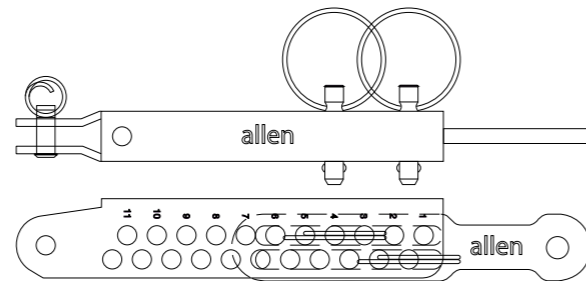
A4772S A4772S-6 A4772SDR-KIT A4772DR

Part Number	Description	Pin Diameter mm	Adjustment Range mm	Increments mm	Internal Width mm	Weight g
A4272-148	Vernier Adjuster With Lacing Hook	5	64	3	9	46
A4272S	Short Vernier Adjuster	5	32	4	9	25
A4772	Heavy Duty Vernier Adjuster	5	84	4	9.5	71
A4772DR-KIT	Heavy Duty Vernier Adjuster With De Raker Plate	5	84 + 43dr	4	9.5	78
A4772HT	High Tension Vernier Adjuster	6	80	5	10	64
A4272	Vernier Adjuster	5	64	3	9	41
A4772S	Short Heavy Duty Vernier Adjuster	5	32	4	9.5	41
A4772S-6	Short Heavy Duty Vernier Adjuster	6	32	4	10.5	40
A4772SDR-KIT	Short Heavy Duty Vernier Adjuster With De Raker	5	32 + 43dr	4	9.5	40
A4772DR	De-Raker Plate	-	43	-	-	31

Stay & Vernier Adjusters

Allen Vernier Adjusters are made from high quality stainless steel to ensure they are lightweight yet hard wearing. Available in a variety of designs to allow for fine-tune rig adjustment.

Also available as de-raker kits with pressed calibration marks, fast pins and captive de-raker plates. Allowing maximum customisation even when you're on the water.



A4024 A4172 A4372 A4472 A4572 A4872 A4972

Part Number	Description	Pin Diameter mm	Adjustment Range mm	Increments mm	Internal Width mm	Weight g
A4024	Channel Stay Adjuster	5	87	9	13	59
A4172	Stay Adjuster	5	52	9	8	46
A4372	Stay Adjuster	5	60	9	8	23
A4472	Stay Adjuster	5	69	9	8	39
A4572	Stay Adjuster	6	76	13	10	86
A4872	Stay Adjuster	6	76	13	9	100
A4972	Open Front Vernier Adjuster	5	64	4	8	38

Fast Pins, Reaching Hooks & Drop Nose Pins

Made from 316 stainless steel and designed for use with our vernier adjusters.



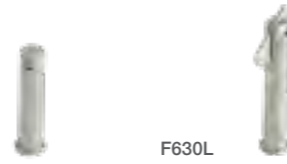
Part Number	Description	Diameter mm	Usable Length mm	Overall Length mm	Suitable For	Weight g
A5005	Fast Pin	5	12.5	26.5	A4272	6.3
A5006	Fast Pin	6	15	29	A4772HT	8.4
A5007-40	Fast Pin	4.8	30	40	-	-
A5007-50	Fast Pin	4.8	40	50	-	-
A5008-26	Fast Pin	6.4	13	26	-	8.5
A5105L	Reaching Hook	5	13	16	A4272	12
A5105S	Reaching Hook	5	9	12	A4772	11
A5106L	Reaching Hook	6	16	29	A4772S-6/ A4772HT	12.5
A5106S	Reaching Hook	6	12	25	A4772HT	12
A5107S	Reaching Hook	4.75	9	25	-	12
A5206-60	Drop Nose Pin	6	60	-	-	21
A5208-15	Drop Nose Pin	6.5	15	-	-	-
A5208-9	Drop Nose Pin	6.5	9.5	22.5	-	-

Clevis Pins & Split Rings



AFPP266
AFPP266B
AFPP266C

AFCP59
AFCP512
AFCP515
AFCP518
AFCP521
AFCP525
AFCP621



F630L

Part Number	Description	Diameter mm	Length mm	Part Number	Description	Diameter mm	Length mm
AFPP266	Small Split Ring	11	-	AFCP59	Clevis Pin	5	9
AFPP266B	Medium Split Ring	15	-	AFCP512	Clevis Pin	5	12
AFPP266C	Large Split Ring	18	-	AFCP515	Clevis Pin	5	15
				AFCP518	Clevis Pin	5	18
				AFCP521	Clevis Pin	5	21
				AFCP525	Clevis Pin	5	25
				AFCP621	Clevis Pin	6	21
				F630L	Drop Nose Pin	5	23

Dynamic Rig Adjustment

The Allen dynamic rig adjustment kit has been developed to suit multiple applications and boats. Examples of applications include the Fireball horizontal mast strut, the 505 vertical mast strut and Graduate GNAV system. In all cases we provide a complete kit.



Part Number	Description	Tube Length mm	Track Length mm
A3210	Vertical Mast Ram Kit	700	250
A3211	Horizontal Mast Ram Kit	700	500
A3212	Gnav System	700	300
A4592	Mast Ram	250	-

Highfield Levers

A range of high quality formed 316 stainless steel ratchet and non-ratchet highfield levers for rapid and repeatable rig tensioning.



Part Number	Description	Throw mm	Adjustment mm	Backing Plate Thickness mm	Backing Plate Width mm	Backing Plate Length mm	Number Of Adjustments	Weight g
A4160	Highfield Lever	70	-	1.5	16	50	1	100
A4260	Ratchet 3 Fixings Flat Backing Plate	75	63	1.5	13	95	6	193
A4260-1	Ratchet 3 Fixings Clipped Backing Plate	75	63	5	13	101	6	111
A4260-2	Ratchet 4 Fixings Flat Backing Plate	75	63	1.5	13	95	6	102

Furling Gear & Swivels

A variety of roller furling gear and swivels to use with your jib or headsail. All designed to be furled and unfurled under load.



Part Number	Description	Fixing Hole Diameter mm	Pin Diameter mm	Fork Width mm	Length mm	Height mm	Weight g	Maximum Working Load Kg
A4102	Stainless Steel Top Furler	-	5	12 / 9	49	-	23	200
A4202	Swivel Connector	-	5	11	34	47.50	38	400
SA2021SC	Small Swivel Connector	-	4	9	26	-	4	115
A4222	Stainless Steel Universal Swivel Base	4	4	-	-	30	28	300
A4302	High Load Top Furler	-	6	8	63.25	82.75	41	430
A4904	Furling Unit	-	5	-	-	73.2	212	400
A4905	High Load Drum Furler	-	5	8	68	88	112	430
A4904LZ	Integral Bow Bar Furling Unit	5	5	11	235	90	65	330

Gooseneck Socket Body



A1680

A1686



A1682

A1678

A1679

A1679-PIN

A1685

Part Number	Description	Fixing Hole Diameter mm	Pin Diameter mm	To Suit Mast Diameter mm	Groove Width mm	Backing Plate Width mm	Backing Plate Thickness mm	Weight g
A1678	Gooseneck Socket Body	5	9	-	-	47	-	41
A1679	Fixed Pin Gooseneck Fitting	-	9	-	-	-	-	88
A1679-PIN	Gooseneck Pin With Nut	-	9	-	-	-	-	45
A1680	Assembled Gooseneck	5	9	60 - 90	-	72	-	134
A1682	Goosneck Pin With Pivot Bracket	-	9	-	-	-	-	66
A1685	Loose Gooseneck Pin	-	9	-	-	-	-	44
A1686	Mast Gooseneck Fitting With Pivot	5	9	60 - 90	-	72	-	92

Goosenecks

A range of high quality 316 stainless steel and pressure die cast aluminium fixed and sliding goosenecks.

A4009C
A4009LZ
A4009LZ-10A4009K
A4009K-10A4114-1
A4114-2
A4114-3

ASP4109

A.120

Part Number	Description	Fixing Hole Diameter mm	Pin Diameter mm	To Suit Mast Diameter mm	Groove Width mm	Backing Plate Width mm	Backing Plate Thickness mm	Weight g
A4009C	Stainless Steel Gooseneck With Radiused Strap	4	13.6	50 - 55	-	-	-	78
A4009LZ	Stainless Steel Gooseneck With Radiused Strap	4	13.6	55	-	-	-	78
A4009LZ-10	Stainless Steel Gooseneck With Radiused Strap	4	10	55	-	-	-	78
A4009K	Stainless Steel Gooseneck With V Strap	4	13.6	50	-	-	-	78
A4009K-10	Stainless Steel Gooseneck With V Strap	4	10	50	-	-	-	78
A4114-1	Aluminium Sliding Gooseneck	-	13.6	-	7	11	10	101
A4114-2	Aluminium Sliding Gooseneck	-	13.6	-	9	16	4	94
A4114-3	Aluminium Sliding Gooseneck	-	13.6	-	8	16	6	104
ASP4109	Laser/ILCA Gooseneck	5	12	-	-	45	2	-
A.120	Spare Gooseneck Nut	-	-	-	-	-	-	5

Gooseneck Sleeves Nylon Gooseneck Sleeve to fit inside carbon or aluminium tubes to prevent wear.



Part Number	Description	Inside Diameter mm	Outside Diameter mm	Length mm	Weight g
A.471	Gooseneck Sleeve	19	29	38	16
A.471TOP	Gooseneck Sleeve	28	34	39	22

Sheave Boxes

Allen Sheave Boxes are available with a plain bearing or ball bearing sheave. We also have the following choice of sheave material to suit your application: Acetal Resin, Stainless Steel and Alloy.

Sheave boxes are suitable for all types of halyard systems, control line systems and general running rigging.

The low profile range of sheave boxes feature our unique hook-in cage; designed to deal with the high loads of modern rigs.

* Working and breaking loads are very dependent on the fixing of the sheave box.

* When using an aluminium sheave box with carbon rigging or decking insure it should be isolated with a suitable product to reduce electrolytic action.



A...9

A...9B

A...9H

A...6

A...6B

A...6H

Part Number	Description	Sheave Width mm	Sheave Diameter mm	Sheave Material	Slot Size mm	Weight g	Fixing Hole Centres mm	Fixing Hole Diameter mm	MWL Kg	Breaking Load Kg
A...9	Aluminium Sheave Box - Plain Bearing	8	25	Acetal	44 x 13	21	57	4	300	670
A...9B	Aluminium Sheave Box - Ball Bearing	8	25	Stainless Steel	44 x 13	38	57	4	300	750
A...9H	Aluminium Sheave Box - Plain Bearing	8	25	Alloy	44 x 13	31	57	4	300	670
A...6	Aluminium Sheave Box - Plain Bearing	8	38	Acetal	52 x 15	34	65	4	400	800
A...6B	Aluminium Sheave Box - Ball Bearing	8	38	Stainless Steel	52 x 15	79	65	4	300	750
A...6H	Aluminium Sheave Box - Plain Bearing	8	38	Alloy	52 x 15	48	65	4	400	800



A...8

A...8A

A...15

A...15B

A...16

A...16B

A4409

Part Number	Description	Sheave Width mm	Sheave Diameter mm	Sheave Material	Slot Size mm	Weight g	Fixing Hole Centres mm	Fixing Hole Diameter mm	MWL Kg	Breaking Load Kg
A...8	Nylon Sheave Box - Plain Bearing	12	38	Acetal	70 x 22	41	80	4	300	700
A...8A	Nylon Sheave Box - Plain Bearing	12	38	Alloy	70 x 22	65	80	4	350	700
A...15	Low Profile Aluminium Sheave Box - Plain Bearing	6	25	Acetal	38 x 10	12	-	4	300	750
A...15B	Low Profile Aluminium Sheave Box - Ball Bearing	6	25	Stainless Steel	38 x 10	24	-	4	300	750
A...16	Low Profile Aluminium Sheave Box - Plain Bearing	6	38	Acetal	58 x 13	36	-	5	400	900
A...16B	Low Profile Aluminium Sheave Box - Ball Bearing	6	38	Stainless Steel	58 x 13	68	-	5	450	900
A4409	Stainless Steel Sheave Box - Plain Bearing	12	38	Stainless Steel	77 x 19	98	90	6	300	600

Mast Head Sheave Boxes

High quality in house injection moulded nylon
6 mast head crane and sheave box with optional insert moulding to fit larger diameter.



Part Number	Description	Sheave Width mm	Sheave Diameter mm	Sheave Material	Fixing Hole Diameter mm	Weight g
A..94	Mast Head Sheave Box	6	36	Acetal	To Fit 20mm Tube	40
SA..94	Adaptor For A..94	-	-	-	To Fit 35mm Tube	22

Mast Gates & Step



Part Number	Description	Length mm	Width mm	Thickness mm	Fixing Hole Centres mm	Slot / Tenon mm	Weight g
A.480	Optimist Deck Ring	85	75	3	54	-	21.5
A.490	Optimist Mast Ring	-	45	3	-	-	8
A4107	Mast Gate Bar	138	22	2	114	-	45
A4107S	Mast Gate Bar	112	22	2	89	-	37
A4124	Adjustable Mast Step	150	23	2	129	19	94
A9100	Pivoting Mast Step	90	45	-	-	-	173
A9150	Pivoting Mast Heel For Selden Mast	77	37	-	-	-	21
A9151	Pivoting Mast Heel For Paragon Mast	77	41	-	-	-	21
A9152	Pivoting Mast Heel For Super Spars Mast	78	46	-	-	-	21
A9153	Pivoting Mast Heel Adapter For Cumulus Mast Profile	32	87	-	-	-	87

Mast Tangs

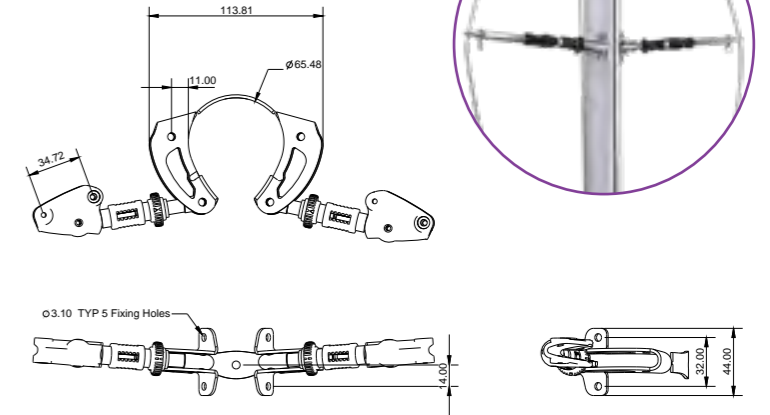
A range of 316 stainless steel rigging tangs for externally mounted shrouds and other take-off points.



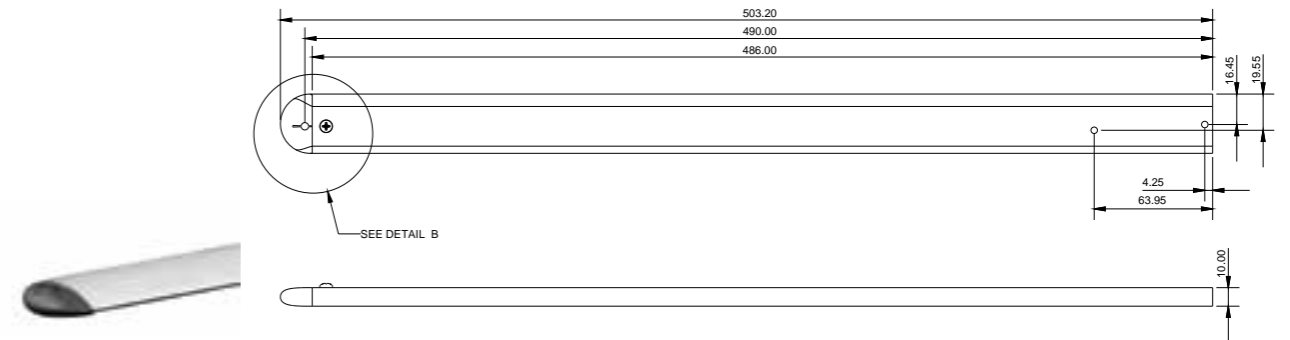
Part Number	Description	Length mm	Width mm	Fixing Hole Centres mm	Fixing Hole Centres mm
A4041	Mast Tang	77	16	5	11
A4141	Mast Tang	104	22	5 - 6	19 - 26
A4141-5	Mast Tang	104	22	5	10 - 25
A4241	Mast Tang	52	16	5	-

Spreader Hardware

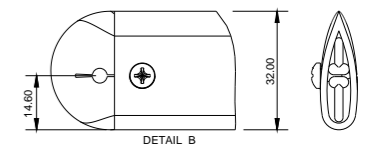
Spreader accessories for fine tuning spreader length and spreader angle to the mast.
Also spreader section and spreader end caps.



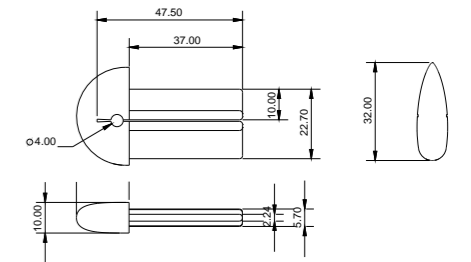
Part Number	Description	Length mm	Thickness mm	Width mm	Weight g
A4527	Spreader Bracket With Adjustable Barrels	-	-	-	117



Part Number	Description	Length mm	Thickness mm	Width mm	Weight g
A.791	Red Aerofoil Spreader Including End Caps	486	10	32	22
A.791-470SA	Aerofoil Spreader	459	10	32	19
A.791SA	Silver Aerofoil Spreader Including End Caps	486	10	32	22



Part Number	Description	Length mm	Thickness mm	Width mm	Weight g
A.147	Mast Swing Spreader Root	32	-	42	7
A.625	Spreader End Caps To Fit A.791	37	5.5	22	2.1



Mast Brackets & Boom Straps

Our range of 316 stainless steel mast and boom straps are available in a variety of designs to suit wooden, carbon and aluminium spar's.



Part Number	Description	Fixing Hole Diameter mm	Spar Size mm	Pin/Head Diameter mm	Strap Thickness mm	Weight g
A4413	Kicking Strap Bracket	5	50 - 80	-	1.5	38
SA.312	Kicking Strap Key	5.5	6 - 13	-	-	-
SA.873	Kicking Strap Key Curved	5.5	6 - 13	-	-	-
A4002	Kicking Strap Key	5.5	-	8mm /13mm	1.5	-



Part Number	Description	Fixing Hole Diameter mm	Spar Size mm	Strap Thickness mm	Weight g
A4016	Boom Strap	5	38	1.5	15
A4116	Boom Strap	5	32	1.5	16
A4216	Boom Strap	5	Forms to any shape	1.5	15
A4417	Boom Strap	5	45	2	29
A4599-S	Mast Bracket For Lowers	5	60	2	64.8
A4032	Gaff Band	5	44 x 44	1.5	16
A4042	Hound Fitting	5	50 - 80	1.5	22
A4142-6.5	Mast Kicker Bracket	5	50 - 80	1.5	22
A4203	Mast Anchor Plate	5	50 - 80	1.5	15
A4203R	Mast Anchor Plate	5	50 - 80	1.5	16
A4416	Bail Bracket	5	45	1.5	16
A4192	Kicking Strap Lever	5	-	-	132



Part Number	Description	Fixing Hole Diameter mm	Eye Inside Diameter mm	Spar Size mm	Length mm	Maximum Rope Size mm	Weight g
A.932	Pole Launcher	-	-	50	-	-	-
A.132	Spinnaker Pole Mast Bracket Single Eye - Nylon	4	12	35	38	8	12
A.232	Spinnaker Pole Mast Bracket Double Eye - Nylon	4	12	50	45	12	37
A4232	Spinnaker Pole Mast Bracket Double Eye - Stainless	5	15	50-80	36	61	61
A4332	Spinnaker Pole Mast Bracket Single Eye - Stainless	5	25	50	55	37	35

Halyard Exit Plates

Made from durable 316 stainless steel, these products are designed to stop wear on a mast wall from exiting halyards.



Part Number	Description	Fixing Hole Diameter mm	Fixing Hole Centres mm	Exit Slot Length mm	Exit Slot Width mm	Overall Length mm	Overall Width mm
A4383	Halyard Exit Plate Small	5	99	55	12	116	22
A4385	Halyard Exit Plate Medium	5	149	100	18	178	29



Halyard Hook Racks

Made from pressure die cast aluminium or 316 stainless steel, these are a very popular solution for consistent cleating of a main halyard on the mast.



Part Number	Description	Fixing Hole Diameter mm	Increments mm	Number Of Adjustments	Length mm	Maximum Wire Diameter mm	Weight g
A.245	Hook Rack	4	12.5	10	126	5	31
A.345	Hook Rack	4	12.5	5	85	5	15
A4245	Halyard Lock	5	-	-	58	2-3	9

Muscle Box

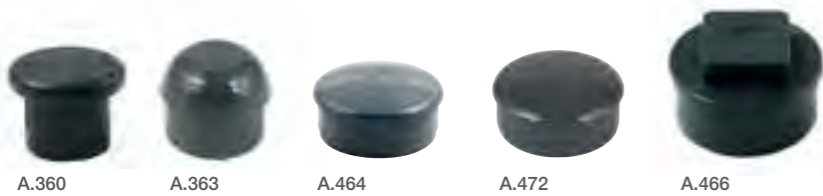
The classic 8:1 muscle box enclosed purchase system.



Part Number	Description	Length mm	Line Diameter mm	Travel mm	Fixing Hole Diameter mm	MWL kg	Weight g	Sheave Diameter mm
A4233	Muscle Box	307	3	147	5	400	254	23

Mast & Tube Plugs

A range of high quality injection moulded nylon 6 caps for a wide variety of applications.



Part Number	Description	Tube Inside Diameter mm	Tube Outside Diameter mm	Tenon Size mm	Weight g
A.360	End Plug	22	25	-	7
A.363	End Plug	29	32	-	10
A.464	End Cap	41	45	-	14
A.472	End cap	43	46	-	15
A.466	Nylon Mast Heel	47	50	29 x 29	25

Mast Deck Chocks

Made from Nylon and suitable for use with any keel stepped dinghies such as 420, 470, 505 and Fireball's. Our mast deck chocks feature a soft nylon side that can be trimmed with a knife to suit the width of your mast gate. Available in a pack or individually.



Part Number	Description	Thickness mm	Weight g
A.473-1	Mast Deck Chock	1	3
A.473-5	Mast Deck Chock	5	13
A.473-10	Mast Deck Chock	10	21
A.473-C	Mast Deck Chock Curved	10	32
A.473-S	Mast Deck Chock Slotted And Wedged	17 Maximum / 10 Minimum	32
A.473	Pack Of 5 Mast Deck Chocks	-	101

Mirror Dinghy Mast Fittings

A range of 316 stainless steel fittings originally designed for the Mirror Dinghy, but suitable for many other classes and applications.



Part Number	Description	Fixing Hole Diameter mm	Mast Diameter mm	Boom Size mm	Sheave Width mm	Weight g
A4184	Spinnaker Crane	4	33	-	18	49
A4314	Gooseneck	4 - 5	50 - 70	20+	-	84
A4314R	Gooseneck	4 - 5	50 - 70	43	-	88

Mast Base Organiser (pair)



A4950

Part Number Description

A4950 Mast Base Organiser - Pair

Boom Slides

A very popular 316 stainless steel slider with loop and screw to attach mainsheet and kicking strap points to a boom.



A4258

Part Number Description

Part Number	Description	Length mm	Width mm	Thickness mm	Loop ID mm	Loop OD mm	Weight g
A4258	Adjustable Stainless Steel Boom Slide	64	16	2	15	25	61

Spinnaker Pole & Jib Stick Fittings

A range of nylon fittings for use with a variety of spinnaker poles or jib sticks. A4331 & A4431 feature a spring loaded piston trigger to allow for easy open and closing. Designed to fit our spinnaker mast brackets.



A.257

A.357

A.602

Part Number Description

Part Number	Description	Fixing Hole Diameter mm	Fixing Hole Centres mm	To Suit Spa Diameter mm	Length mm	Eye Diameter mm	Maximum Rope Size mm	Weight g
A..31	Spinnaker Pole Snap Hook	-	-	22	42	9	8	8
A.131	External Spinnaker Pole Snap Hook	4	33	15	83	9	8	12
A..54	Jib Stick Spike	-	-	22	52	-	-	8
A.154	External Jib Stick Spike	4	35	15	89	-	-	11
A4331	Piston Triggered Spinnaker Pole End	5	70	34	142	13	10	150
A4431	Piston Triggered Spinnaker Pole End	6	37	22	102	8	7	50
A.257	Spinnaker Pole Cleat	5	36	-	102	-	6	18
A.357	Spinnaker Pole Ramp	5	36	-	-	-	6	16
A.602	Spinnaker Pole Tubing 25mm O/D	-	-	25	-	-	-	-

Rigging Screws

316 Stainless steel rigging screws.



Part Number	Description	Thread	Max Length mm	Min Length mm	Body Length mm	Fork Width mm	Pin Diameter mm	Breaking Load Kg	Weight g
A6110	Fork / Fork Rigging Screw	M5	180	126	80	8	5	800	51
A6112	Fork / Fork Rigging Screw	M6	200	138	92	8	5	1250	90
A6114	Fork / Fork Rigging Screw	M8	234	158	112	10	6	1300	140
A6116	Fork / Fork Rigging Screw	M10	272	188	120	11	8	2600	240



Part Number	Description	Thread	Max Length mm	Min Length mm	Body Length mm	Fork Width mm	Pin Diameter mm	Breaking Load Kg	Weight g
A6132	Fork / Stud Rigging Screw For 2.5mm Wire	M5	206	152	80	8	5	800	45
A6134	Fork / Stud Rigging Screw For 3mm Wire	M6	232	170	92	8	6	1250	85
A6136	Fork / Stud Rigging Screw For 4mm Wire	M6	242	180	92	8	5	1250	87
A6138	Fork / Stud Rigging Screw For 4mm Wire	M8	275	199	112	19	6	1300	130
A6140	Fork / Stud Rigging Screw For 5mm Wire	M8	281	205	112	10	6	1300	132

Wire Stud Terminal

316 stainless steel threaded swaged stud for wire rigging.



Part Number	Description	Thread	Thread Direction	Body Length mm	Screw Length mm	Body Diameter mm	NV	Weight g
A6152	Threaded Swaged Stud For 2.5mm Wire	M5	Right	32	42	5.5	4.5	1.5
A6153	Threaded Swaged Stud For 2.5mm Wire	M5	Left	87	42	5.5	4.5	1.5
A6154	Threaded Swaged Stud For 3mm Wire	M6	Right	100	48	6.35	5	2
A6155	Threaded Swaged Stud For 3mm Wire	M6	Left	38	48	6.35	5	2
A6156	Threaded Swaged Stud For 4mm Wire	M6	Right	100	48	7.5	6	2.4
A6157	Threaded Swaged Stud For 4mm Wire	M6	Left	45	48	7.5	6	2.4

Wire Eye Terminal

316 Stainless steel eye terminals for wire rigging.



Part Number	Description	Internal Body Diameter mm	External Body Diameter mm	Eye Diameter mm	Length From Eye Centre mm	Body Length mm	Thickness of Head mm	Weight g
A6175	Stainless Steel Eye Terminal For 2mm Wire	2.2	5.5	5.5	49	32	3	0.9
A6176	Stainless Steel Eye Terminal For 2.5mm Wire	2.8	5.5	5.5	49	32	3	0.8
A6177	Stainless Steel Eye Terminal For 3mm Wire	3.5	6.35	6.5	55	38	4	1.3
A6178	Stainless Steel Eye Terminal For 4mm Wire	4.4	7.5	8.5	67	45	5	2.3

Wire Fork Terminal

316 Stainless steel fork terminal for wire rigging.



Part Number	Description	Internal Body Diameter mm	External Body Diameter mm	Eye Diameter mm	Length From Pin Centre mm	Body Length mm	Fork Width mm	Weight g
A6166	Stainless Steel Fork Terminal For 2.5mm Wire	2.8	5.5	5	58	32	7	2
A6167	Stainless Steel Fork Terminal For 3mm Wire	3.5	6.35	5	65	38	7	2.3
A6168	Stainless Steel Fork Terminal For 3mm Wire	3.5	6.35	6	66	38	9	2.8
A6169	Stainless Steel Fork Terminal For 4mm Wire	4.4	7.5	5	71	45	7	2.7
A6170	Stainless Steel Fork Terminal For 4mm Wire	4.4	7.5	6	73	45	9	3.4

Wire 'T' Terminal

316 Stainless steel 'T' terminal for wire



A4283

Part Number	Description	Overall Length mm	Internal Length mm	Internal Diameter mm	External Diameter mm	Weight g
A4283	T-Terminal Backing Plate	4	-	-	44	2.5
A6185	Stainless Steel 'T' Terminal For 2mm Wire	80	32	2.2	5.5	1.5
A6186	Stainless Steel 'T' Terminal For 2.5mm Wire	80	32	2.7	5.5	1.5
A6187	Stainless Steel 'T' Terminal For 3mm Wire	80	39	3.3	6.35	2
A6188	Stainless Steel 'T' Terminal For 4mm Wire	100	45	4.2	7.5	4

Eye Bolt

Stainless steel eye screw with bolt for rigging.



Part Number	Description	Thread	Overall Length mm	Length From Hole Centre mm	Screw Length mm	Head Diameter mm	Thread Length mm	Breaking Load Kg	Weight g
A6200	Stainless Steel Eye Bolt	M6	57	46	30	13	30	1360	1.8
A6204	Stainless Steel Eye Bolt	M6	87	76	60	13	60	1360	2.6
A6208	Stainless Steel Eye Bolt	M8	66	53	35	15	35	2390	3.8
A6212	Stainless Steel Eye Bolt	M8	110	98	80	15	75	2390	5.5

Rig Spanner

Closed

Open



Part Number Description

A4004 Rig Spanner

Finn & OK Dinghy Boom

Extruded 6082 aluminium gives durability, strength and stiffness whilst being able to resist the marine environment.

Features

- Tapered end for weight reduction.
- Blue Pad-Tii's and through deck bushes for soft attachment of blocks.
- Multiple rigging options for outhaul.
- Stiff and strong.



Part Number	Description	Weight g
A-OK-BOOM	OK Boom	3400
A-FINN-BOOM	Finn Boom	

V2 Vang Lever

The V2 Vang Lever is lightweight, strong and stylish.

Features

- Two large rope friendly sheaves on either side of the pivot point guide the vang control line.
- Spacer mouldings to hold a triple block in the centre of the lever.
- Protective end caps to limit damage to the deck.
- Easily assembled and disassembled.
- CNC Machined from aluminium
- For both Finn and OK Dinghys
- Anodised blue.



Part Number	Description	Weight g
A-VANG-LEVER	V2 Vang Lever	360

Rudder Stocks and Accessories



International Moth - Credit: Mark Jardine

Tiller Extensions - Carbon

Allen Carbon Tiller Extensions are light yet responsive, providing you with great feedback from your tiller. We have two styles of Carbon Tiller Extensions to suit your style of sailing. Available in a variety of lengths. The A55.. range has a narrower carbon tube and utilises a foam grip at the end of the extension.

Part Number	Description	Length mm	Length ft	Weight g	Tube Diameter mm
A5506	Carbon Fibre With Soft Grip And Universal Joint	609	2	96	20
A5507	Carbon Fibre With Soft Grip And Universal Joint	710	2.3	103	20
A5511	Carbon Fibre With Soft Grip And Universal Joint	1100	3.6	110	20
A5512	Carbon Fibre With Soft Grip And Universal Joint	1200	4	147	20
A5514	Carbon Fibre With Soft Grip And Universal Joint	1400	4.10	164	20
A5519	Carbon Fibre With Soft Grip And Universal Joint	1900	6.3	206	20
A5521	Carbon Fibre With Soft Grip And Universal Joint	2100	6.9	226	20
A5525	Carbon Fibre With Soft Grip And Universal Joint	2500	8.3	269	20

RUDDER STOCK & ACCESSORIES

Tiller Extensions - Aluminium

Our Range of Aluminium Tiller Extensions are lightweight and feature a foam grip to give you the ultimate control. Available in 7 lengths and 7 anodised colours, Red, Blue, Black, Silver, Orange, Purple and Graphite.



A.454

Part Number	Description	Suitable For	Length mm	Length ft	Weight g
A.454	Tiller Extension Retaining Clip	All Aluminium Tiller Extensions	-	-	4
A4198	Aluminium Tiller Extension		700	2.29	141
A4898	Aluminium Tiller Extension	Optimist, Cadet	609	2	124
A4298TOP	Aluminium Tiller Extension	Topper	685	2.3	177
A4298	Aluminium Tiller Extension	Laser 2, Laser 3000	762	2.6	147
A4498TOP	Aluminium Tiller Extension	Topper	975	3.2	177
A4498	Aluminium Tiller Extension	470,420, Enterprise, GP14, Pico	915	3	170
A4698	Aluminium Tiller Extension	Laser, RS400, Finn, 29er, RSFeva, RS200	1067	3.6	195
A4798	Aluminium Tiller Extension	B14, RS600, Int.14, Contender	1975	6.6	347

Tiller Extension Universal Joints

Universal joints are for connecting the tiller extension to the tiller. Our range gives you maximum control and feedback whilst still proving reliable over long periods of use.



Part Number	Description	Fixing Hole mm	Bolt Length mm	To Suit	Weight g
A4092	UJ Bolt Fixing For Wooden Tiller	4	32	17mm Maximum Outside Diameter Extension	41
A4098	UJ Base Plate Fixing For Wooden Tiller	4	-	17mm Maximum Outside Diameter Extension	41
A5098	Tiller Flexi-Joint Oval Version	5	-	13mm Minimum Inside Diameter Tube	22
A5198	Tiller Flexi-Joint Square Version	5	-	13mm Minimum Inside Diameter Tube	22
A5196	Saddle To Go Under Flexi-Joint	5	-	25mm Tiller Tube	6
A5197	Saddle To Go Under Flexi-Joint	5	-	32mm Tiller Tube	5
A5198BASE-M5NUT	UJ Base	5	-	-	5

Rudder Stocks and Tillers

Allen Rudder Stocks have been developed from years of high performance rudder stock designs. The design is based on innovative interlocking precision-machined components, and does away with the chunky pintle and gudgeon brackets that are typically found on pressed aluminium stocks. Instead they are integrated into the main section to give you a clean, cutting-edge look, but it also delivers a 25% weight reduction in comparison to the traditional design. The final assembly is very stiff and robust, making the tiller far more responsive.



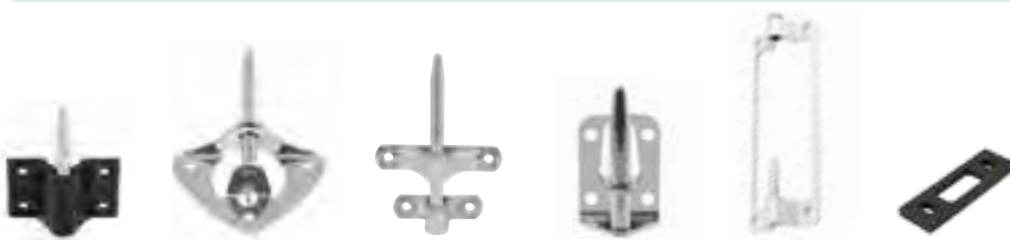
Part Number	Description	Between Pintle mm	Blade Thickness mm	Tiller Angle Degrees	Tiller Diameter mm	Tiller Length mm	Weight g
A7000	Rudder Stock	175	25	7	-	-	744
A7001	One Piece Pintle & Gudgeon For Use With A7000	-	-	-	-	-	-
1619	Gorilla Tiller With Aluminium Tiller Extension	-	-	-	31.5	990	-
A7002-1.0	1000mm Tiller For Use With A7000	-	-	-	-	-	-
A7002-1.1	1100mm Tiler For Use With A7000	-	-	-	-	-	-
A7002-1.2	1200mm Tiler For Use With A7000	-	-	-	-	-	-
A7002-1.3	1300mm Tiller For Use With A7000	-	-	-	-	-	-
A7420	420 Rudder Stock	244	19	-	-	-	-
A7470	470 Rudder Stock	226	22	-	-	369	-

Transom Plates, Pintles & Gudgeons

Our range of Rudder Gudgeons and Pintles are available in varying sizes. Designed for fixing to the rudder blade or rudder stock.



Part Number	Description	Fixing Hole Diameter mm	Overall Width mm	Hole / Pin Diameter mm	Pin Length mm	Transom To Pin Centre mm	Weight g
A.420	Transom Gudgeon	5	131	8	30	39	42
A.485	Laser/ILCA Gudgeon	6	131	10	-	36	34.9
A.520	Transom Gudgeon	5	70	8	-	19	28
A.520-10	Transom Gudgeon	5	70	10	-	16	27
A4020	Transom Gudgeon	5	70	8	-	18	22
A4020S	Transom Gudgeon	5	76	8	-	17	41
A4120	Transom Gudgeon	5	76	8	-	18	17
A4420	Optimist Transom Gudgeon	4	44	6.3	-	-	24
A4840	Rudder Gudgeon	5	62	8	-	31	22



Part Number	Description	Fixing Hole Diameter mm	Overall Width mm	Hole / Pin Diameter mm	Pin Length mm	Transom To Pin Centre mm	Weight g
A.519	Transom Pintle	5	70	7.8	45	19	89
A.519-10	Transom Pintle	5	70	10	57	16	95
A4019	Transom Pintle	4	80	7.8	57	18	67
A4019S	Transom Pintle	4	76	7.8	57	17	112
A4317	Transom Pintle	4	32	7.8	37	18	40
A7001	One Piece Pintle & Gudgeon For A7000	5	69	7.59	-	18	100
A.619	Pintle Packing Spacer	6	71	-	-	-	6

Rudder Retaining Equipment

Our range of acetal and stainless steel rudder retaining equipment holds the rudder in place. Available in a variety of sizes.



Part Number	Description	Fixing Hole Diameter mm	Overall Width mm	Weight g
A..21	Acetal Retaining Clip	4	53	2.5
A..21SS	Stainless Steel Retaining Clip	4	53	5
A.221	Optimist Rudder Retaining Clip	4	51	2.5
A1923	Stainless Steel Retaining Clip With Endcap	5	78	9
A4121	Stainless Steel Retaining Clip	5	78	9

Rudder Wing Nuts



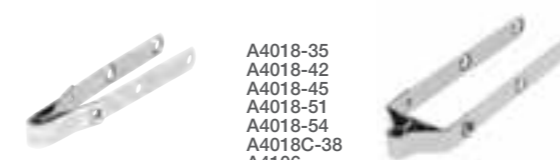
Part Number	Description	Fixing Hole Diameter mm	Overall Width mm	Weight g
A4229-6	Rudder Stock Wing Nut	6	57	21
A4229-8	Rudder Stock Wing Nut	8	57	20
A5229	Wing Nut & Bolt Retainer Plastic	8	65	19
A1785	Laser Tiller Retaining Pin	-	3	3.7

Rudder Pintles & Gudgeons

Available in varying sizes to match rudder head widths, this range of 316 stainless steel fittings are for fixing to the rudder blade or rudder stock.



Part Number	Description	Fixing Hole Diameter mm	Width mm	Hole / Pin Diameter mm	Pin Length mm	Length mm	Distance From Stock To Pin mm	Weight g
A4017-23	Rudder Pintle	4	23	7.8	40	89	18	88
A4017-35	Rudder Pintle	4	35	7.8	40	89	18	101
A4017-42	Rudder Pintle	4	42	7.8	40	89	18	101
A4017-45	Rudder Pintle	4	45	7.8	40	89	18	101
A4017-51	Rudder Pintle	4	51	7.8	40	89	18	101
A4017-54	Rudder Pintle	4	54	7.8	40	89	18	101
A4017-60	Rudder Pintle	4	60	7.8	40	89	18	101
A4017C-38	Rudder Pintle	4	38	7.8	40	89	18	101
A4117L	Rudder Pintle	4	11	7.8	47	70	18	57
A4117S	Rudder Pintle	4	11	7.8	35	70	18	57
A4417L	Optimist Rudder Pintle	5	12	6	35	97	10	48
A4417S	Optimist Rudder Pintle	4	12	6	19	78	10	40



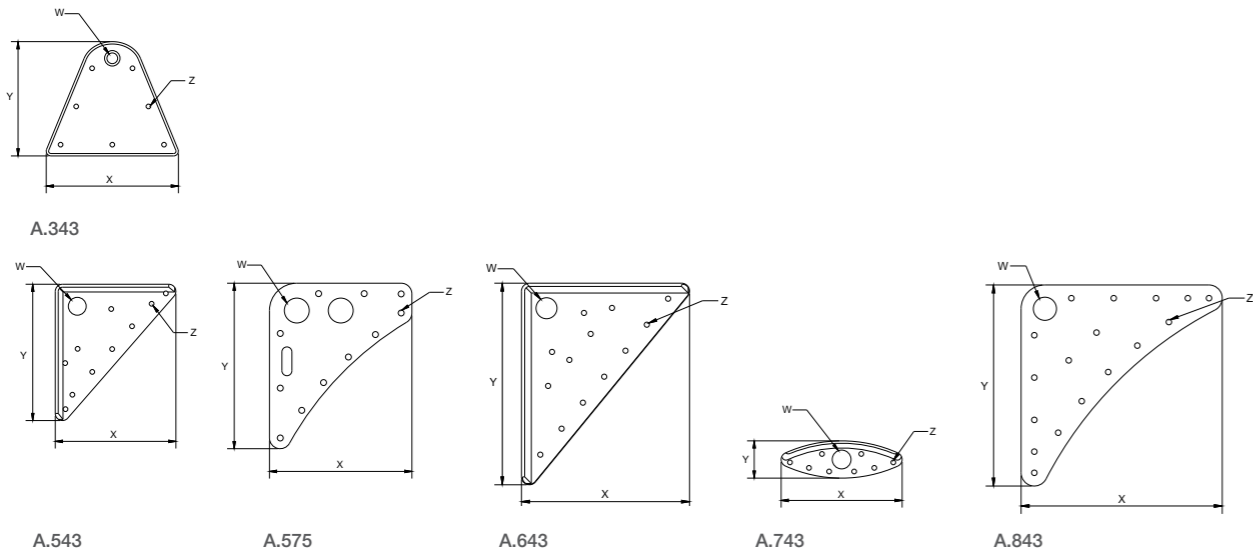
Part Number	Description	Fixing Hole Diameter mm	Width mm	Hole / Pin Diameter mm	Pin Length mm	Length mm	Distance From Stock To Pin mm	Weight g
A4018-23	Rudder Gudgeon	4	23	8	-	135	18	87
A4018-35	Rudder Gudgeon	4	35	8	-	145	18	105
A4018-42	Rudder Gudgeon	4	42	8	-	145	18	105
A4018-45	Rudder Gudgeon	4	45	8	-	140	18	105
A4018-51	Rudder Gudgeon	4	51	8	-	140	18	105
A4018-54	Rudder Gudgeon	4	54	8	-	140	18	105
A4018C-38	Rudder Gudgeon	4	38	8	-	92	18	83
A4106	Rudder Gudgeon	4	38	8	-	120	18	126
A4318	Rudder Gudgeon	4	43	8	-	123	18	123

Sailmakers Hardware



Petticrows Dragon - Credit: Elena Razina

Sail Headboards High quality in-house injection moulded nylon 6 sailmakers headboards.



Part Number	Description	W mm	X mm	Y mm	Z mm	Weight g
A.343	Spinnaker	9	110	95	4	18
A.543	Mainsail	16	110	115	4	14
A.575	Mainsail	21	120	140	5	32
A.643	Mainsail	16	126	150	4	25
A.743	Spinnaker	16	112	32	4	4
A.843	Headboard	17	152	152	4	-

Batten Hardware

In-house injection moulded nylon 6 and high quality 316 stainless steel batten protectors and batten end tensioners.



Part Number	Description	To Suit Batten Width mm	To Suit Batten Thickness mm	To Suit Batten Diameter mm	Length Overall mm	Width Overall mm	Thickness Overall mm	Weight g
A..51	Batten Protector With Stainless Steel Screws	27	5	-	46	20	10	7
A.101	Batten Compression Adjuster	14	9	-	71	28	20	8
A.102	Stainless Steel Batten Pocket Connector	-	10	-	66	18	-	47
A.151	Batten Protector With Brass Screws	34	4	-	47	10	9	3
A.251	Batten Protector With Brass Screws	60	7	-	85	15	13	13
A.351	Batten Protector With Stainless Steel Screws	40	5	-	64	30	10	11
A.419L	Batten Protector - Long	53	10	22	91	78	32	142
A.419S	Baton Protector - Short	42	6	15	70	63	25	80
A.451	Batten Protector With Stainless Steel Screws	25	6	-	43	34	16	13
A.651	Batten End Cap	14.5	6	-	33	28	10	20
A.751	Batten End Cap	20	7	-	20	32	10	6
A.851	Batten Protector With Stainless Steel Screws	23	5	-	64	35	10	15
A.951-10	Inboard Batten Adjuster	10	4	-	62	35	17	33
A.951-18	Inboard Batten Adjuster	19	6.5	-	64	42	20	45.8

Jib Hanks High quality in-house injection moulded nylon 6 jib twist on hanks (Patented). Ideal for connecting the luff of the jib to a forestay.



Part Number	Description	Forestay mm	Maximum Luff Wire mm	Weight g
A.144	Medium Jib Hank (Patent No: 881696)	4	5	2.66
A.144B	Small Jib Hank (Patent No: 881696) Black	4	5	2.66
A.244	Large Jib Hank (Patent No: 881696)	5	6	3.75
A.344	Small Jib Hank With Stainless Steel Screw	3	3	2.66

Luff & Cunningham Blocks



Part Number	Description	Sheave Size mm	Weight g	Length mm	Width mm
A.478	Nylon Cunningham Block With Acetal Sheave	22	16	80	30
A.886	Snap-On 3 Piece Nylon Luff Block	16	6	40	16

Sail Shackles High quality in-house injection moulded nylon 6 sail shackles with either screw fixing or snap fixing.



Part Number	Description	Width mm	Length mm	Opening mm	Weight g
A.249	Slide Hank With Screws	52	21	-	4
A.349	Nylon Sail Shackle	13.5	26	4	1.8
A.449	Nylon Sail Shackle	24	45	7	3.5
A.549	Nylon Sail Shackle	28	53	6	6
A.649	Ring	46	60	5	8
A.749	Nylon Sail Shackle	18	36	9	3
A.849	Nylon Sail Shackle	19	39	9	4
A1049	Nylon Sail Shackle	62.15	5.5	15	6

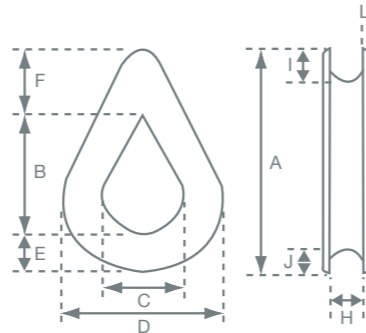
Sail Ring Strong and light weight, in-house injection moulded nylon 6 sail rings.



Part Number	Description	Inside Diameter mm	Outside Diameter mm	Breaking Load Kg	Weight g
A..56	Nylon Sail Ring	13	22	50	0.3
A.156	Nylon Sail Ring	18	32	90	2.5
A.256	Nylon Sail Ring	22	37.5	130	4.5
A.356	Nylon Sail Ring	28	46.5	200	8

Thimbles

High quality in house injection moulded nylon 6 and 316 stainless steel thimbles for wire and rope suitable for 2mm to 18mm diameters.



Part Number	Description	A mm	B mm	C mm	D mm	E mm	F mm	H mm	J mm	L mm
A.802	Nylon Thimble For 2mm Rope	12	7.3	4.9	8.8	1.9	2.9	2.1	1.1	0.4
A.803	Nylon Thimble For 3mm Rope	18	10.9	7.3	15.1	2.8	4.3	3.1	1.7	0.6
A.804	Nylon Thimble For 4mm Rope	24	14.5	9.8	17.5	3.8	5.8	4.2	2.3	0.8
A.805	Nylon Thimble For 5mm Rope	30	18.1	12.1	21.9	4.7	7.2	5.0	2.8	0.9
A.806	Nylon Thimble For 6mm Rope	36	21.8	14.6	26.3	5.6	8.6	6.1	3.4	1.1
A.808	Nylon Thimble For 8mm Rope	48	29.0	19.5	35.0	7.5	11.5	8.0	4.5	1.5
A.810	Nylon Thimble For 10mm Rope	60	36.3	24.4	43.8	9.4	14.4	10.0	5.6	1.9
A.812	Nylon Thimble For 12mm Rope	72	43.5	29.3	52.5	11.3	17.3	11.2	6.8	2.3
A.814	Nylon Thimble For 14mm Rope	84	50.8	34.1	61.3	13.1	20.1	13.4	7.9	2.6
A.818	Nylon Thimble For 18mm Rope	108	65.3	43.9	78.8	16.9	25.9	17.2	10.1	3.4
A6010	Stainless Steel Thimble For 2mm Wire Or Rope	20	17	9	12	-	-	3	-	1.0
A6011	Stainless Steel Thimble For 3mm Wire Or Rope	22	18	10	14	-	-	4	-	1.0
A6012	Stainless Steel Thimble For 4mm Wire Or Rope	25	20	11	16	-	-	5	-	1.2
A6013	Stainless Steel Thimble For 5mm Wire Or Rope	26	21	13	18	-	-	6	-	1.2
A6014	Stainless Steel Thimble For 6mm Wire Or Rope	32	27	15	20	-	-	7	-	1.5

Sail Track Slides & Slugs

Lightweight in-house injection moulded nylon 6 sail slides and slugs. Designed to be stitched or lashed to fabric applications, such as the luff or foot of a mainsails or to attach the sides of an awning.

Sail slugs are designed to go inside a track and sail slides are designed to wrap around the outside of a track.



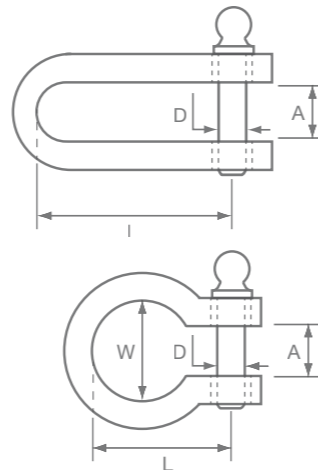
Part Number	Description	Compatible With	X mm	Y1 mm	Y2 mm	Z1 mm	Z2 mm	Weight g	Breaking Load kg	MWL* kg
A..89	Internal Sail Slide	A.249 / A.349 / A.449 / A.549 / A.649 / A.749 / A.849 / A1049	32	21	4	15	7	4	250	100
A..90	Internal Sail Slide	A.249 / A.349 / A.449 / A.549 / A.649 / A.749 / A.849 / A1049	35	23	4	18	9	5	275	100
A..91	Internal Sail Slide	A.249 / A.349 / A.549 / A.749 / A.849 / A1049	39	25	5	21	8	8	500	150
A..92	Internal Sail Slide	A.349 / A.849 / A1049	45	27.65	2.84	17.9	4.23	13	300	150
A..95	Internal Sail Slide	A.349 / A.749 / A1049	45	26.9	3.1	15.3	4.23	12	400	250
A..96	Internal Sail Slide	A.349 / A1049	45	28.4	3.77	21.8	4.23	14	500	300
A.158	Sail Slug	A.249 / A.349 / A.449 / A.649 / A.749 / A.849 / A1049	22	29	9	8	3	2	100	50
A.258	Sail Slug	A.249 / A.349 / A.449 / A.649 / A.749 / A.849 / A1049	50	40	11	14	3	5	200	50
A.358	Sail Slug	A.249 / A.349 / A.449 / A.649 / A.749 / A.849 / A1049	22	30	12	12	3	3	120	50
A.758	Sail Slug	A.349 / A1049	45	35.15	4.23	11.60	5.75	14	500	250
A.958	Sail Slug	A.349 / A1049	45	32.45	4.23	8.90	5.75	12	400	250
A1058	Sail Slug	A.349 / A1049	45	30.75	4.23	7.3	5.75	10	300	250
A1158	Sail Slug	A.349 / A1049	45	33.55	4.23	4.40	5.75	14	600	250
A.289	External Sail Slide	A.349	23	20	2	18	6	4	75	40
A.389	External Sail Slide	A.349 / A.749 / A.849 / A1049	28	20	3	23	6	5	120	50
A.458	Internal Sail Slide	A.249 / A.349 / A.449 / A.649 / A.749 / A.849 / A1049	30	29	4	13.8	3	5	250	100
A.558	Internal Sail Slide	A.249 / A.349 / A.449 / A.649 / A.749 / A.849 / A1049	25	22	3	10.5	4	2	150	50
A.558DW	Internal Sail Slide	A.249 / A.349 / A.449 / A.549 / A.649 / A.749 / A.849 / A1049	41	21	3	10	5	-	140	30
A.658	Internal Sail Slide	A.249 / A.349 / A.449 / A.649 / A.749 / A.849 / A1049	39	34	4.2	17	3.8	10	350	150

*Maximum Working Load kg

Shackles



International Moth - Credit: Mark Jardine



SHACKLES

Pressed Shackles



Part Number	Description	L mm	A mm	D mm	W mm	Breaking Load kg	Maximum Working Load kg	Weight g
A4028	Pressed Rigging Link Narrow	16	9	5	-	900	300	7
A4128	Pressed Rigging Link	18	8	5	-	700	300	7
A4428	Pressed Shackle	20	16	5	-	1000	300	7
A4328	Pressed Rigging Link Narrow	21	12	5	14	1000	300	9
A4048	Pressed Shackle	20	13	5	14	800	300	10
A4828	Bayonet Halyard Shackle	25	13	5	-	550	200	17
A1438	Pressed Shackle	27	18	6	19	1000	500	19
A4228	Large Pressed Rigging Link Narrow	29	8	5	13	1300	600	20
A4138	Pressed Rigging Link	31	13	5	-	800	300	14

Round Body Shackles A range of 316 stainless steel round body shackles and bow shackles with a forged pin.



Part Number	Description	L mm	A mm	D mm	W mm	Breaking Load kg	Weight g
A-621104	D Shackle With Forged Pin	16	9	4	-	500	6
A-621105	D Shackle With Forged Pin	18	11	5	-	950	13
A-621106	D Shackle With Forged Pin	22	13	6	-	1500	24
A-621108	D Shackle With Forged Pin	32	16	8	-	2500	55
A-621110	D Shackle With Forged Pin	40	20	10	-	4100	109
A-622104	Bow Shackle With Forged Pin	20	8	4	13	500	8
A-622105	Bow Shackle With Forged Pin	23	11	5	17	950	15
A-622106	Bow Shackle With Forged Pin	27	14	6	21	1500	26
A-622108	Bow Shackle With Forged Pin	36	18	8	28	2500	59
A-623104	Long D Shackle With Forged Pin	32	8	4	-	500	9
A-623105	Long D Shackle With Forged Pin	40	10	5	-	950	20
A-623106	Long D Shackle With Forged Pin	48	12	6	-	1500	-
A-623108	Long D Shackle With Forged Pin	60	17	8	-	2500	73
A-623110	Long D Shackle With Forged Pin	80	20	10	-	3000	8
A-624105	Twisted Shackle With Forged Pin	28	10	5	-	950	16
A-624106	Twisted Shackle With Forged Pin	33	13	6	-	1500	28
A-624108	Twisted Shackle With Forged Pin	40	18	8	-	2500	65
A-624110	Twisted Shackle With Forged Pin	44	16	10	-	4100	-

Forged Shackles

A range of forged stainless steel shackles, forged for the highest strength to size ratio.



Part Number	Description	L mm	A mm	D mm	Breaking Load kg
A5404S	D Shackle Extra Small	15	8	4	780
A5405N	D Shackle Narrow	18	6	5	1250
A5405S	D Shackle Small	18	11	5	1250
A5406S	D Shackle Medium	12	13	6	2500

Pressed Shackles

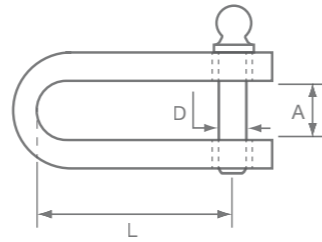
A range of 316 stainless steel pressed shackles designed specifically for dinghies and sportsboats incorporating strength and practicality.



Part Number	Description	L mm	A mm	D mm	W mm	Breaking Load kg	Maximum Working Load kg	Weight g
A4929	Pressed Shackle	9	11	5	-	300	250	6
A4728	Pressed Rigging Link Narrow	10	9	3	11	250	200	3
A4348	Pressed Shackle	14	13	5	14	1000	300	4
A4528	Pressed Rigging Link Narrow	15	11	5	13	900	300	7
A4148	Pressed Shackle	16	9	5	-	1000	500	7

Strip Shackles

A range of 316 stainless steel strip shackles designed for strength and practicality.



A6020
A6022
A6023
A6024



A6035
A6037
A6038
A6039
A6040



A6065
A6066
A6067
A6068
A6069



Part Number	Description	L mm	A mm	D mm	Breaking Load kg	Weight g
A6020	D Shackle With Standard Pin	15	10	4	500	4
A6022	D Shackle With Standard Pin	17	12	5	1000	8
A6023	D Shackle With Standard Pin	24	15	5	1000	15
A6024	D Shackle With Standard Pin	36	16	5	1200	16
A6027	Shackle With Key Pin	24	16	6	1200	16
A6028	D Shackle With Standard Pin	40	15	6	1200	25
A6035	D Shackle With Slotted Pin	15	10	4	500	4
A6037	D Shackle With Slotted Pin	17	12	5	1000	8
A6038	D Shackle With Slotted Pin	24	15	5	1000	14
A6039	D Shackle With Slotted Pin	36	16	5	1200	-
A6040	D Shackle With Slotted Pin	25	12	5	1200	10
A6045	Bow Shackle With Standard Pin	23	15	6	2000	-
A6046	Bow Shackle With Standard Pin	32	17	8	3000	39
A6047	Bow Shackle With Standard Pin	40	21	10	5000	-
A6060	Twisted Shackle With Standard Pin	22	12	5	1200	11
A6061	Twisted Shackle With Standard Pin	33	12	5	1200	15
A6062	Twisted Shackle With Standard Pin	36	14	6	2000	25
A6065	Shackle With Key Pin	17	11	4	600	4
A6066	Shackle With Key Pin	36	15	5	1200	12
A6067	Shackle With Key Pin	26	13	5	1200	15
A6068	Shackle With Key Pin	40	15	6	2000	25
A6069	Shackle With Key Pin	25	14	6	2000	-
A6075	Shackle With Key Pin And Extra Pin & Ring	12	23	5	700	14
A6076	Shackle With Key Pin And Extra Pin & Ring	15	33	5	700	17
A6077	Shackle With Key Pin And Extra Pin & Ring	14	23	6	1500	27
A6078	Shackle With Key Pin And Extra Pin & Ring	20	38	8	2000	49

Tii-Shackles

This simple and easy attachment system will save weight and give you more options for attaching blocks. Tii-Shackles feature an adjustable loop to make attachment quick and easy. Perfectly designed for use with our Tii-On blocks and Pad-Tii ranges.



Part Number	Description	For Use With	Length mm	Diameter mm	Breaking Load kg	Weight g
A15100	Tii-Shackle	A2020Tii	100	1.5	200	0.6
A15110	Tii-Shackle	20 & 30mm Tii-Blocks	110	1.5	360	0.9
A20110	Tii-Shackle	A2022Tii	110	2	200	1.3
A25110	Tii-Shackle	A2030Tii	110	2.5	300	4.8
A25120	Tii-Shackle	A2032Tii	120	2.5	300	-
A25130	Tii-Shackle	A2040Tii	130	3	400	-
A40140	Tii-Shackle	A2050Tii	140	4	600	-
A40180	Tii-Shackle	A2060Tii	180	4	600	-

Accessories



ACCESSORIES

Wind Indicators

Aerovane Wind Indicators - Light, responsive and balanced for accurate wind indication.

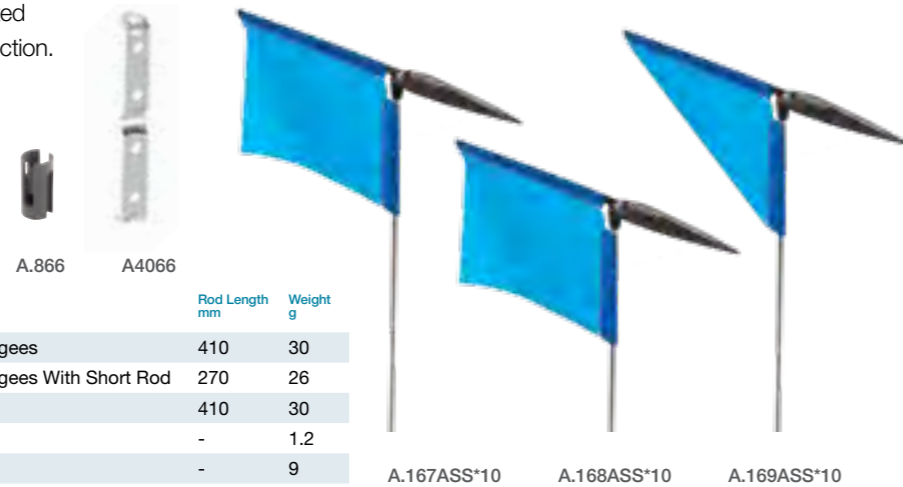
The Aerovane Mast Crane Adaptor is used to pair an A.171 with any tapped or un-tapped keelboat mast.



Part Number	Description	Diameter mm	Length mm	Rod Length mm	Weight g
A..71	Aerovane - Mast Head Mounted	-	190	270	50
A..71M	Aerovane - Lower Mast Mounted	-	250	330	50
A..71R	Aerovane - Rail Mounted	25	190	270	50
A.171	Large Aerovane - Mast Head Mounted	-	250	330	50
A.171M	Large Aerovane - Lower Mast Mounted	-	250	330	50
A.172	Aerovane Adaptor	5/16 UNC	40	-	27

Burges

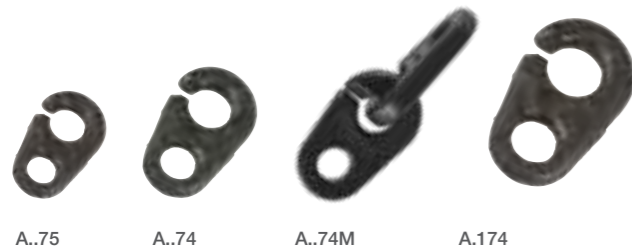
Fabric racing and cruising burgee. Mounted at the top of a mast to establish wind direction. Available in Blue, Red, Yellow and Pink.



Part Number	Description	Rod Length mm	Weight g
A.167ASS*10	10 Assorted Colours Racing Burgees	410	30
A.168ASS*10	10 Assorted Colours Racing Burgees With Short Rod	270	26
A.169ASS*10	10 Assorted Cruising Burgees	410	30
A.866	Burgee Mast Peg	-	1.2
A4066	Burgee Clip For Mast	-	9

Inglefield Clips

Pressure die cast aluminium and in house injection moulded nylon clips for fastening two lines or shock cords together, such as flags or spinnaker bags.



Part Number	Description	Length mm	Breaking Load Kg	Max Working Load Kg	Maximum Rope Diameter mm	Thickness mm	Weight g
A..75	Small Clip (Flags)	26	39	20	5	7	2
A..74	Medium Clip (Spinnaker)	36	178	89	6	4	7
A..74M	Moulded Inglefield Clip	36	60	30	6	4	1
A.174	Large Clip (Spinnaker)	50	266	133	10	10	19

Tidy Clips

High quality in house injection moulded nylon 6 tidy clips to store your spinnaker pole, oars or other loose parts securely.



Part Number	Description	Tube Diameter mm	Base Size mm	Overall Height mm	Fixing Hole Size mm	Distance Between Fixings mm	Weight g
A.754	Extra Small Spring Clip	19	19 x 14 x 4	25	4	-	0.5
A.754W	Extra Small White Spring Clip	19	19 x 14 x 4	25	4	-	0.5
A.854	Small Spring Clip	22	22 x 16 x 5	29	3	8	2.5
A.854W	Small White Spring Clip	22	22 x 16 x 5	29	3	8	2.5
A.254	Medium Spring Clip	25	26 x 15 x 4	34	3	9	3
A.254W	Medium White Spring Clip	25	26 x 15 x 4	34	3	9	3
A.354	Large Spring Clip	32	30 x 18 x 4	46	4	11	7
A.354W	Large White Spring Clip	32	30 x 18 x 4	46	4	11	7
A.554	Extra Large Spring Clip	38	35 x 19 x 4	55	4	12	10
A.554W	Extra Large White Spring Clip	38	35 x 19 x 4	55	4	12	10
A.654	Jumbo Spring Clip	44	41 x 22 x 5	64	4	21	16

Nylon Hooks

High quality in-house injection moulded nylon 6 hooks will suit a variety of different applications. Nylon Hooks are available in black, white, grey and orange.



Part Number	Description	Max Rope Diameter mm	Length mm	Weight g
A..59	Nylon 'Handy' Hook	4	38	2
A.259	Nylon 'Handy' Hook	6	47	5
A.359	Nylon Spring Hook	8	53	5
A.559	Nylon 'Handy' Hook	8	62	11
A.659	Nylon Spring Hook	6	53	10

Stainless Steel Hooks

High quality formed and pressed 316 stainless steel hooks suitable for connecting a wide range of products, rope, wire etc. where the part needs to be readily removed either during or after sailing.



Part Number	Description	Max Rope Diameter mm	Length mm	Weight g
A4057	40mm Round Boom Outhaul Hook	-	90	33
A4069	Forged Twisted Hook	12	60	29
A4157	Spinnaker Uphaul Hook	4	54	9
A4159	'S' Hook	10	67	19
A4259	'S' Hook With Keeper	10	67	20
A4369	Hook With Nylon Retainer	6	60	16
A4459	Welded 'S' Hook With Keeper	10	61	27
A4659	Welded 'S' Hook	10	61	27
A4759	Welded 'S' Hook	12	67	32
A4869	Forged Hook	5	52	23
A4869K	Forged Hook With Keeper	5	52	24.1
A4969	Forged Twisted Hook	5	52	23
A731705	Carbine Hook	8	50	-
A731705-E	Carbine Hook With Eye	7.5	50	-
A731706	Carbine Hook	9	60	-
A731706-E	Carbine Hook With Eye	8	60	-
A731707	Carbine Hook	10	70	-
A731707-E	Carbine Hook With Eye	9	70	-
A731708	Carbine Hook	12	80	-
A731708-E	Carbine Hook With Eye	11	80	-
A731709	Carbine Hook	13	90	-
A731709-E	Carbine Hook With Eye	12	90	-
A731710	Carbine Hook	15	100	-
A731710-E	Carbine Hook With Eye	14	100	-
D92058	Twisted Stainless Steel Hook	8	55	25

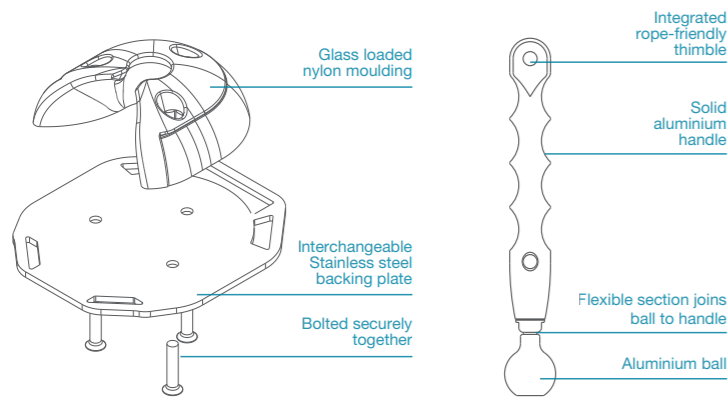
In conjunction with Bethwaite Design, Allen has developed the Keyball trapeze system into a sleek and innovative design, eliminating the hook altogether and creating a safe intuitive trapezing solution that really works.

The Allen Keyball system removes the traditional hook from the trapeze harness and replaces it with a moulded plastic socket. The Keyball socket has no sharp edges or protruding parts meaning there is a reduced risk of entrapment for the user.

By wearing a Keyball harness you will also limit the chances of damaging the equipment on the boat, users are less likely to rip the sail or pierce the deck/hull of a boat because of the lack of pointy edges.

We have paired our Keyball trapeze system with the popular Rooster, Zhik and Banks harness.

For sizing and specific harness details visit our website.



Wide opening allows for easy target area



3D profile guides the ball in



Once located it is secure in a secondary recess



Radial Keyball Harness



Skiff Keyball Harness



Rooster Keyball Harness

Part Number	Description	Widest Point mm
KEYBALLHARNESS-RAD	Banks Sails Radial Harness With Keyball	800
KEYBALLHARNESS-SKIFF	Banks Sails Skiff Keyball Harness	800
ROOSTER-KEYBALL	Rooster Keyball Trapeze Harness	1.75
ZHIK-KEYBALL	Zhik T3 Keyball Harness	1500

Keyball Trapeze Equipment

Various accessories for trapeze wires and harnesses



Part Number	Description	Maximum Rope Diameter mm	Webbing Size mm	Length mm	Weight g
A4043	Keyball Trapeze System Handle (Pair)	5	-	160	141
A4043C	Keyball Trapeze System - Moulding	-	-	-	73
A4043-KIT	Keyball Trapeze System - Complete With 2 Handles	-	45/20	-	456
A4043N	Keyball Trapeze System - Moulding With Narrow B/P	-	45/20	-	305
A4043N-1	Keyball Trapeze System - Moulding With Square B/P	-	-	-	292
A4043W	Keyball Trapeze System - Moulding With Wide B/P	-	45/20	-	406
A4043W-1	Keyball Trapeze System - Moulding With Wire Buckle	6	45	-	372
A4043W-40	Keyball Trapeze Socket For Rooster Harness	6	40	229.65	345
A4043W-KIT	Keyball Trapeze System - Complete With 2 Handles	-	45/20	-	-

Trapeze Hardware

A carefully designed range of accessories for trapeze and harness systems.



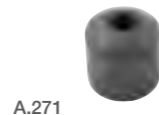
Part Number	Description	Maximum Rope Diameter mm	Webbing Size mm	Length mm	Maximum Wire Diameter mm	Weight g
A..60	Nylon Trapeze Handle 'T' Type	3	-	54	3	13
A..62	Trapeze Disc Handle	4	-	-	-	-
A4040	Trapeze Harness Buckle With Strap Adjusters	-	40	-	-	170
A4161LZ	Narrow Trapeze Ring With Plain Bearing Block	6	-	133	-	54
A4261	Wide Trapeze Ring With 20mm B/B Block And S/S Ring	2.5 - 6	-	137	-	68
A4461	5mm Wire Trapeze Ring	-	-	-	-	64
A4461-6	6mm Wire Trapeze Ring	-	-	-	-	90
A6180	Stainless Steel Trapeze Terminal With Eye	1 - 3	-	-	-	-
C253	Clam Cleat Trapeze M6 Ali Silver	4 - 8	-	89	-	46
C253A	Clam Cleat Trapeze M6 Anodized	4 - 8	-	89	-	46

Ball Stoppers

High quality in-house injection moulded polypropylene ball stoppers suitable for numerous applications. Available in 4 sizes and 8 colours red, blue, green, purple, yellow, black, white and grey. Also available to order in assorted colour packs.



A..22
A.222
A.122
A.322



A.271

Part Number	Description	Line Diameter mm	Size mm
A..22	Small Ball Stopper	3	13
A.222	Medium Ball Stopper	4	19
A.122	Large Ball Stopper	5	25
A.322	Extra Large Ball Stopper	6	31
A.271	Black Tube Rope Stopper	5	17

Boat Hook



Part Number	Description	External Diameter mm	Length mm	Weight g	Width mm
A.361	Moulded Boat Hook End	22	56	7	62

Rowlocks & Sockets

High quality in-house injection moulded nylon 6 rowlocks to suit oars from 38mm to 45mm. Side and centre mount rowlock sockets in black or white.



A.290
A.290W

A.390
A.390W

A.291
A.291W

A.391
A.391W

A.391SC

A.392
A.392W

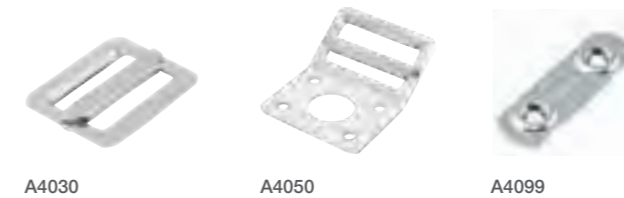
A.393

Part Number	Description	To Suit Oar Diameter mm	Fixing Hole Size mm	Rowlock Diameter mm	Fixing Hole Centres mm	Weight g	Colour
A.290	Small Nylon Rowlock	38	-	19	-	33	Black
A.290W	Small Nylon Rowlock - white	38	-	19	-	33	White
A.390	Large Gooseneck Nylon Rowlock	45	-	19	-	40	Black
A.390W	Large Gooseneck Nylon Rowlock - white	45	-	19	-	40	White
A.291	Small Nylon Rowlock Socket	-	4	19	49	11	Black
A.291W	Small Nylon Rowlock Socket - white	-	4	19	49	11	White
A.391	Medium Nylon Rowlock Socket	-	4	19	49	20	Black
A.391W	Medium Nylon Rowlock Socket - white	-	4	19	49	20	Black
A.391SC	Open Ended Nylon Rowlock Socket	-	4	19	49	20	Black
A.392	Side Mount Nylon Rowlock Socket	-	4	19	37 & 55	35	Black
A.392W	Side Mount Nylon Rowlock Socket - white	-	4	19	37 & 55	35	White
A.393	Rowlock Socket Wedge For A.392	-	4	-	37 & 55	8	

Toe Strap Plates & Buckles

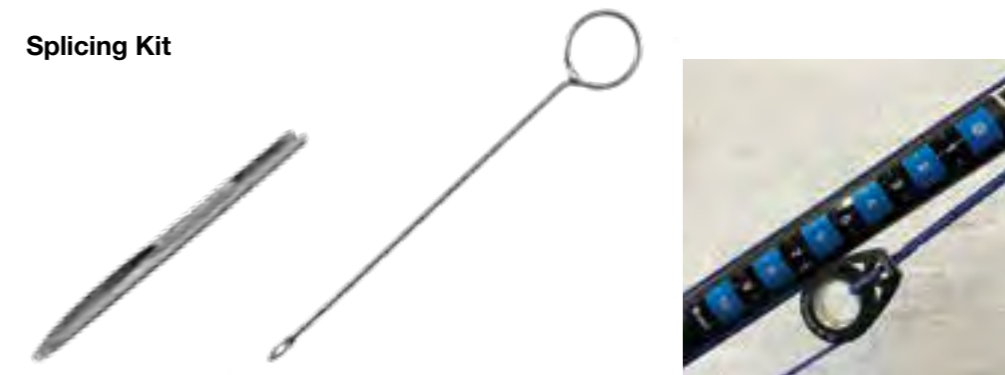
Fixing plates for toe straps and stainless steel buckles for straps

Part Number	Description	Fixing Hole Diameter mm	Length mm	Width mm	Thickness mm	Distance Between Fixing Hole mm	Inside Length mm	Weight g
A..99B A..99G A..99LG A..99RB-CAN A..99W	Toe Strap Plate Black Toe Strap Plate Grey Toe Strap Plate Light Grey Toe Strap Plate Royal Blue Toe Strap Plate White	5	47	19	5	28	-	3.5
A.199	Toe Strap Plate White	5	50	18	5.25	34	-	5
A..38 A..38W	Lacing Strap Small Lacing Strap Small White	5	58	16	5	43	26	4
A.138	Lacing Strap Medium	5	66	16	5	51	35	5
A.238	Lacing Strap Large	5	74	16	5	58	48	7



Part Number	Description	Fixing Hole Size mm	Length mm	Width mm	Thickness mm	Distance Between Fixing Hole mm	Inside Length mm	Weight g
A4030	Toe Strap Buckle Stainless Steel	-	57	38	2	-	-	24
A4050	Buckle And Fixing Plate	5	73	57	2	38 x 25	44	48
A4099	Toe Strap Plate Stainless Steel	5	51	16	2	28	-	9.5

Splicing Kit



Part Number	Description	Length mm	Diameter mm	Maximum Rope Diameter mm
4MMS.NEEDLE	4mm Splicing Needle	115	5	4
5.5MMS.NEEDLE	5.5mm Splicing Needle	120	6	5.5
A-CALIBRATION	Small Calibration Sticker - strip of 5	Coloured squares are 1cm. Total length from 1 to 10 is 10cm.		
A-CALIBRATION	Medium Calibration Sticker - strip of 5	Coloured squares are 2cm. Total length from 1 to 10 is 20cm.		
A-CALIBRATION	Large Calibration Sticker - strip of 5	Coloured squares are 3cm. Total length from 1 to 10 is 30cm.		

Race Packs

Allen race packs are a quick and easy and class legal way to upgrade your dinghy. Rigging guide videos are available on our YouTube channel. You can also scan the QR code to be taken directly to the video.




A8331




A8332



ALLEN-OPTI-SPRIT-SYSTEM



ALLEN-TERA-RACING-CUNNINGHAM



allen
RACING



ALLEN-TERA-RACING-OUTHAUL PACK



ALLEN-TERA-RACING-VANG PACK

Part Number	Description	Parts Included	Weight g
A8331	Dinghy Kicker Pack	SA.873, A5861, A4380F-HLK, A2023, Rope	439
A8332	Dinghy Downhaul And Outhaul Pack	A2020, A2021HK, A5849, A5848, A.222W, A..22W, Rope	528
ALLEN-OPTI-SPRIT-SYSTEM	Optimist Sprit System	-	-
ALLEN-TERA-CUNNINGHAM	RS Tera Racing Cunningham Pack	-	-
ALLEN-TERA-OUTHAUL	RS Tera Racing Outhaul Pack	-	-
ALLEN-TERA-VANG	RS Tera Racing Vang Pack	-	-

Spare & Replacement Parts



Part Number	Description	For Use With	Width mm	Length mm	Fixing Hole Centres mm	Weight g	Outside Diameter mm	Inside Diameter mm
A.186	Sheave Cheek	A..86	30	32	14 x 25	4	600	1
A4903	Forestay Shield	-	-	-	-	15.4	74	20
ARBALL1/4D	Delrin Balls	Mainsheet Jammers	-	-	-	-	6.35	-
ARBALL1/4T	Torlon Balls	Low & Maxi Traveller Cars	-	-	-	-	6.35	-
ARBALL5T	Torlon Balls	Mini Traveller Cars	-	-	-	-	5	-
SA4374	Fairlead For Sliding Cars	A4274 Range	-	-	-	29	74 x 25	-
SA4574	Plunger Pin & Spring For Sliding Fairleads	A4274, A4474	-	-	-	-	5	-

Servicing Kit For A..77 Cam Cleat



Part Number	Description	For Use With	Width mm	Length mm	Fixing Hole Centres mm	Weight g	Outside Diameter mm	Inside Diameter mm
SA..76	Servicing Kit For A..76 Cam Cleat	A..76	-	-	-	-	-	-
SA..77	Servicing Kit For A..77 Cam Cleat	A..77	-	-	-	-	-	-
SA.676	Servicing Kit For A.676 Cam Cleat	A.676	-	-	-	-	-	-
SA.677	Servicing Kit For A.677 Cam Cleat	A.677	-	-	-	-	-	-

Vent Cover

Skin Fitting Vent Cover



Part Number	Description	Fixing Hole Diameter mm	Fixing Hole Centres mm	Height mm	Length mm	Width mm
A4037	Skin Fitting Vent Cover	4	48 x 43	15	56	18.3

Merchandise



Ben Harden - Blaze - Credit: Peter Mackin

ASAILINGGLOVE Allen Pro-sailing glove
A professional half finger sailing glove with reinforced Amara on palm and fingers to protect your hands when pulling rope. Made from a high quality 4-way stretch breathable fabric. Double stitched for longevity. Neoprene cuffs give a super comfortable fit. Velcro strap for secure fit. We recommend hand washing in warm soapy water and allowing to air dry.



ALLSHAKEY Allen Shackle Key
What's more important, cracking open that first beer when you get ashore or getting the halyard shackle undone? Do both in seconds with the Allen shackle key which features:
Flat head screwdriver - shackle key fits a wide range of shackle sizes, Bottle opener, Silicone keyring holder.



AT-SHIRT

Allen 49er T-Shirt
100% cotton
Colour: White or Grey



Size	Height	Chest	Waist
Small	158-170cm	85-97cm	71-76cm
Medium	170-186cm	97-109cm	79-94cm
Large	186-191cm	109-125cm	97-109cm



ALLENRASHIE

Allen Branded Rooster Rash Vest. The perfect top to wear under your neoprene layers or on its own as a rash guard. These have a UV protection SPF40. To use the size chart, find a size that best fits your height, chest and waist measurements. If you can't match all three of these criteria, please take into account your body shape and choose the closest match. These garments are very stretchy and a particular size can span a number of body shapes and sizes.

We recommend hand washing these tops in warm soapy water and allowing to air dry on a hanger.

Size	Height	Chest	Waist
Junior	141-153cm	71-85cm	Junior
X-Small/Small	158-170cm	85-97cm	71-76cm
Medium/Large	170-186cm	97-109cm	79-94cm
X-Large/2X-Large	186-191cm	109-125cm	97-109cm

ALLENRULESPOSTER

Racing Rules of Sailing - Hardcopy Racing rules of sailing for 2021 - 2024. Size A3. Go to our website to download a copy or order a hardcopy to be sent out to your sailing club.



Distributors & Major Stockists



Argentina - Stockist
Rio Tecna srl
La Plata 1199, San Fernando,
Buenos Aires, 1646
+00 541 1474 42299
info@riotecna.com
www.riotecna.com

Argentina - Stockist
Sail Zonda
Gral Arias 1489, San Fernando,
Buenos Aires, 1646
+54 11 2251 6830
info@sailzonda.com
www.sailzonda.com

Australia - Distributor
Deck Hardware
F5 122-126 Old Pittwater Road,
Brookvale, New South Wales, 2100
+61 2 9905 9400
robyn@deckhardware.com.au
www.deckhardware.com.au

Belgium - Stockist
Optiteam BVBA
Beatrijslaan 24, Antwerpen, 2050
+32 3 2110422
sales@optiteam.be
www.optiteam.be

Canada - Distributor
Maritime Marine Supply Ltd
209 Terra Cotta Drive,
New Glasgow, Nova Scotia,
B2H 5E1
+1 902 9281900
info@mmsupply.ca
www.maritimemarinesupply.ca

Denmark - Stockist
Aarhus Sea Shop
Gåseagervej 14, Egå, 8250
+45 86 786111
info@aarhusseashop.dk
www.aarhusseashop.dk

Finland - Distributor
OY Maritim
Tarviketukku, Veneentekijankie 1,
Helsinki, 00210
+358 10 2740 320
info@maritimshops.fi
www.maritim.fi

France - Distributor
Xavier Phelipon Organisation
15 quai Marillac, Z.A des Minimes,
La Rochelle, 17000
info@xporganisation.fr
www.xporganisation.fr

Germany - Distributor
Robert Lindemann KG
Wendenstrasse 455, Hamburg,
20537
+49 40 21119719
verkauf@lindemann-kg.de
www.lindemann-kg.de

Greece - Stockist
Sailing and More
Soumi Dimitra, Amfitritis 3,
Alimos, 17456
+30 213 0352593
info@sailingandmore.com
www.sailingandmore.com

Holland - Stockist
Optiparts Marine Equipment B.V.
Krommewetering 61, 3543 AM
Utrecht,
+31 30 241 4068
mail@optiparts.com
www.optiparts.com

Holland - Stockist
More Marine BV
Waaier 44, Leimuiden, 2451 VW
+31 172 506820
info@moremarine.nl
www.moremarine.nl

Holland - Stockist
Sail Center
Marinaweg 16, Almere, 1361 AC
+31 36 5408895
info@sailcenter.com
www.sailcenter.com

Hong Kong - Distributor
Sky International
Unit 703. 7th Floor, Henan Building,
90 Jaffe Road, Wanchai
+852 282 75876
web@sky-international.com
www.sky-international.com

Italy - Distributor
Tomasoni Fittings SRL
VIA G.Marconi 59
+39 10 9761106
info@tomasoni.it
www.tomasoni.it

Japan - Distributor
Cosmos Marine Co. Ltd
2-42 Nishinomiya,
Nishinomiya Hyogo Prefec,
662-0934
+81 66 567 2397
yamada@marinebox.com
www.marinebox.shop-pro.jp

Korea (South) - Distributor
All Yacht
F8024 66 Chungmin-ro,
Songpa-gu, Seoul, 058383
+82 10 76203577
bnlee@wmcompany.kr
smartstore.naver.com/allyacht

Malta - Distributor
Gauci Borda & Co. Ltd
240 Msida Road, Gzira, GZR 1400
+356 21 334255
info@gauciborda.com
www.gauciborda.com

Norway - Distributor
Flak AS
Skibåsen 37, 4636, Kristiansand
+46 38 056600
flak@flak.no
www.flak.no

Portugal - Distributor
Companhia Nautica
Rua da Venezuela, 6, Lisboa,
1500-620
+35 1965 391120
nautica@companhianautica.com
www.companhianautica.com

South Africa - Distributor
Sailing Solutions
Unit 15 -16, Clover Leaf Industrial
Park, 7th Avenue, Maitland,
Cape Town, 7405
+272 13000 866
info@sailingsolutions.co.za
www.sailingsolutions.co.za

Spain - Distributor
Imnasa Marine Products
Ctra. Fornells, 13,
17459 Campllong, Girona
+34 97248 1108
www.imnasa.com

Spain - Stockist
Codigo Cero Sail Equipment S.L.
C/Padre Feijoo No 7, 2a Planta,
Vilagarzia de Arousa,
Pontevedra, 36600
+34 609 376 732
info@codigocero.com
www.codigocero.com

Sweden - Distributor
One Design Center
Prästkragens väg 40, 132 45
SALTSJÖ-BOO
+46 8 7492 466
info@onedesigncenter.se
www.onedesigncenter.se

Switzerland - Stockist
Bucher & Walt
Route De Soleure 8, CH-2072
Saint-Blaise
+41 032 755 95 00
info@bucher-walt.ch
www.bucher-walt.ch

Switzerland - Stockist
H2O Sensations
Chemin Du Planet 1a, Bellevue,
GE, 1293
+41 78 892 2525
info@h2o-sensations.com
www.h2o-sensations.com

United Kingdom - Distributor
Proboat Ltd
Burnham Business Park,
Burnham-On-Crouch,
Essex, CM0 8TE
+44 1621 785455
sales@proboat.co.uk
www.proboat.co.uk

United States - Stockist
Intensity Sails
200 Bald Hill Road, Warwick,
RI, 02886
+1 4017 388000
intensitysails@gmail.com
www.intensitysails.com

United States - Stockist
Bainbridge International
255 Revere Street, Canton,
Massachusetts, 02021-2960
+1 781 821 2600
www.bainbridgeint.com

United States - Stockist
West Coast Sailing
709 N. Columbia Blvd, Portland,
Oregon, 97217
+1 503 285 5536
info@westcoastsailing.net
www.westcoastsailing.net

United States - Stockist
Vela Sailing Supply
1830 East I-30 Highway, Suite 300,
Rockwall, 75087
+1 214 960 4434
info@velasailingsupply.com
www.velasailingsupply.com

United States - Stockist
The Boat Locker
706 Howard Avenue, Bridgeport,
Connecticut, 06605
+1 203 259 7808
info@boatlocker.com
www.boatlocker.com

Product Code Index

PRODUCT CODE INDEX



PRODUCT CODE	PAGE	PRODUCT CODE	PAGE	PRODUCT CODE	PAGE
1619	81	A..87-15	27	A.171	91
52802	60	A..87-20	27	A.171M	91
4MMS.NEEDLE	97	A..87-25	27	A.172	91
5.5MMS.NEEDLE	97	A..87-30	27	A.174	92
A...15	69	A..87-35	27	A.178	34
A...15B	69	A..87-50	27	A.178-74	34
A...16	69	A..87-75	27	A.178-74BB	34
A...16B	69	A..87-90	27	A.178BB	34
A...3	55	A..89	87	A.179BBO	34
A...8	69	A..90	87	A.181	47
A...8A	69	A..91	87	A.182	58
A...9	69	A..92	87	A.185	37
A...9B	69	A..93	34	A.186	99
A...9H	69	A..93LZ	34	A.193	41
A..21	82	A..94	70	A.194	41
A..21SS	82	A..95	87	A.199	97
A..22	96	A..96	87	A.215	37
A..26-1	48	A..99B	97	A.216	37
A..26-2	48	A..99G	97	A.217	37
A..26-260	48	A..99LG	97	A.219	37
A..26-3	48	A..99RB-CAN	97	A.220	36
A..26-4	48	A..99W	97	A.221	82
A..31	75	A.101	85	A.222	96
A..38	97	A.102	85	A.223	60
A..38W	97	A.119	36	A.226-1	49
A..39	61	A.120	68	A.226-1000	49
A..40	61	A.122	96	A.226-2	49
A..40-12	61	A.123	60	A.226-222Black	49
A..45	36	A.124	47	A.226-230	49
A..46	37	A.129	59	A.226-330	49
A..51	85	A.130	47	A.226-5	49
A..52	58	A.131	75	A.229	59
A..54	75	A.132	72	A.232	72
A..56	86	A.134	59	A.238	97
A..59	93	A.134RB-CAN	59	A.239	61
A..60	95	A.135	53	A.244	85
A..61	53	A.136	49	A.245	73
A..62	95	A.138	97	A.246	47
A..71	91	A.139	61	A.248	53
A..71M	91	A.144	85	A.249	86
A..71R	91	A.144B	85	A.251	85
A..74	92	A.146	47	A.252	58
A..74M	92	A.147	71	A.253	55
A..75	92	A.148	53	A.254	92
A..76	40	A.150	36	A.254W	92
A..76-496	40	A.150-6	36	A.256	86
A..77	40	A.151	85	A.257	75
A..77-497	40	A.152	58	A.258	87
A..80A	36	A.153	59	A.259	93
A..80B	36	A.154	75	A.262	57
A..81	47	A.155	60	A.271	96
A..83	37	A.156	86	A.278	34
A..84	37	A.158	87	A.278-74	34
A..85	36	A.167	92	A.278-74BB	34
A..86-6	36	A.168	92	A.278BB	34
A..86-8	36	A.169	92	A.281	47

PRODUCT CODE	PAGE	PRODUCT CODE	PAGE	PRODUCT CODE	PAGE
A.282	58	A.423	60	A.575	84
A.282A	58	A.424	60	A.588	41
A.289	87	A.435	53	A.593	41
A.290	96	A.439	61	A.593-893	41
A.290W	96	A.439-14	61	A.597	41
A.291	96	A.439A	62	A.602	75
A.291W	96	A.449	86	A.612	36
A.293	41	A.450	34	A.613	36
A.294	41	A.450A	34	A.614	36
A.302	49	A.451	85	A.619	82
A.303	49	A.452	58	A.622	29
A.315	37	A.454	80	A.625	71
A.322	96	A.455	34	A.626	48
A.323	60	A.458	87	A.626-1	48
A.323W	60	A.464	74	A.637	54
A.326-1	49	A.466	74	A.638	54
A.326-2	49	A.471	69	A.643	84
A.337	54	A.471TOP	69	A.649	86
A.338	54	A.472	74	A.651	85
A.339	61	A.473	74	A.654	92
A.343	84	A.473-1	74	A.656	48
A.344	85	A.473-10	74	A.656-UNANOD	48
A.345	73	A.473-5	74	A.658	87
A.346	47	A.473-C	74	A.659	93
A.349	86	A.473-S	74	A.676	40
A.351	85	A.478	85	A.676-496	40
A.354	92	A.480	70	A.677	40
A.354W	92	A.481	47	A.677-497	40
A.356	86	A.485	82	A.726-4	49
A.357	75	A.488	41	A.736	49
A.358	87	A.490	70	A.738	49
A.359	93	A.493	41	A.743	84
A.360	74	A.493-993	41	A.749	86
A.361	96	A.496	41	A.751	85
A.363	74	A.497	41	A.754	92
A.378	34	A.519	82	A.754W	92
A.378BB	34	A.519-10	82	A.758	87
A.381	47	A.520	82	A.762	41
A.382	58	A.520-10	82	A.781	47
A.386	36	A.526-1	48	A.791	71
A.389	87	A.526-2	48	A.791-470SA	71
A.390	96	A.526-TA	48	A.791SA	71
A.390W	96	A.535	53	A.793	41
A.391	96	A.536	49	A.802	86
A.391SC	96	A.537	54	A.803	86
A.391W	96	A.537-BAG	54	A.804	86
A.392	96	A.537W-BAG	54	A.805	86
A.392W	96	A.538	54	A.806	86
A.393	96	A.539A	62	A.808	86
A.396	41	A.543	84	A.810	86
A.397	41	A.549	86	A.812	86
A.402	49	A.554	92	A.814	86
A.403	49	A.554W	92	A.816-0.9	49
A.419L	85	A.558	87	A.816-1500	49
A.419S	85	A.558DW	87	A.816-3.0	49
A.420	82	A.559	93	A.818	86
				A.819-0.9	49
				A.819-3.0	49
				A.824	48
				A.826-2	49
				A.826-3	49
				A.826-5	49
				A.826B-1.5	49
				A.826B-3.0	49
				A.843	84
				A.849	86
				A.851	85
				A.854	92
				A.854W	92
				A.866	92
				A.886	85
				A.893	41
				A.916	49
				A.924	48
				A.932	72
				A.936	49
				A.937	49
				A.940	49
				A.946	49
				A.951-10	85
				A.951-18	85
				A.958	87
				A.993	41
				A...6	69
				A...6B	69
				A...6H	69
				A1034	37
				A1049	86
				A1058	87
				A1086	36
				A1086B	36
				A1086SP	36
				A1086SP-B	36
				A1158	87
				A1231	60
				A1232	60
				A1375	38
				A1375-4102	38
				A1375-S	38
				A1376	38
				A1377	38
				A1378	38
				A1396	41
				A1397	41
				A1438	89
				A15100	26
				A15110	26
				A1678	68
				A1679	68
				A1679-PIN	68
				A1680	68
				A1682	68

PRODUCT CODE	PAGE	PRODUCT CODE	PAGE	PRODUCT CODE	PAGE	PRODUCT CODE	PAGE
A1685	68	A2026	7	A2038HL	14, 15	A2054HK	23
A1686	68	A2026HL	7	A2039	14	A2055	23
A1737	54	A2026M	7	A2039-CAM	12	A2056	23
A1837	54	A2026P	17	A2039-CAM-LDCSingle	12	A2057	23
A1886	36	A2026-PROFIX	9	A2039FIDDLE	12	A2058	23, 29
A1923	82	A2027	9	A2040	20	A2059	23
A1937	54	A2027NB	9	A20401	18	A2060	22
A20110	26	A2028	8	A20401B	18	A2060C	22
A2020	6	A2028HL	8, 15	A20401BF	18	A2060Tii	22, 26
A2020-4035	7	A2029	8	A20401BF-77	18	A2062	22
A2020-4036	7	A2030	11	A20401BFH	19	A2063	22
A2020F	7	A2030-40	14	A20401F	19	A2064	23
A2020HL	6, 15	A2030F	11	A20401F-77	19	A2065	23
A2020HL-4036	6, 15	A2030F-873	11	A20401FH	19	A2066	23
A2020P	17	A2030HL	11, 15	A20401FH-77	19	A2067	23
A2020P-4035	17	A2030HLF	11, 15	A20401H	18	A2068	23, 29
A2020P-4036	17	A2030HLF-873	11	A20401S	18	A2069	23
A2020PLZ	17	A2030LZ	12	A20401S-2030	18	A2069B	23
A2020PSC	17	A2030P	17	A20401SZ	19	A2077	47
A2020PSHK	17	A2030PF	17	A20402	19	A2086-4	36
A2020PTi3	17	A2030PF-873	17	A20402B	19	A2086-5	36
A2020PTii	17	A2030PLZ	17	A20403	19	A2121	9
A2020SC	7	A2030PSC	17	A20403-77	19	A2121HL	9
A2020SHK	7	A2030PSHK	17	A20403B	19	A2121P	17
A2020Ti3HL	6	A2030R2	13	A20404	19	A2122	9
A2020Tii	6, 26	A2030R3	13	A2040-4222ASS	20	A2122HL	9
A2020XHL	7, 25	A2030SC	11	A2040B	20	A2122P	17
A2021	7	A2030SHK	12	A2040HK	20	A2123	9
A2021F	7	A2030Tii	11, 26	A2040LZ	20	A2126M	8
A2021HK	7	A2030TiiHL	11, 15	A2040SC	20	A2131	14
A2021HL	7	A2030XHL	10, 25	A2040SC-676	21	A2131HL	14
A2021P	17	A2031	11	A2040SC-677	21	A2131P	17
A2021PHK	17	A2031F	11	A2040Tii	20, 26	A2132	14
A2021SC	7	A2031P	17	A2040XHL-BLUE	20, 25	A2132HL	14
A2022	8	A2031SC	11	A2041	21	A2132P	17
A2022A	8	A2031XHL-873	11, 25	A2041-676	21	A2133	14, 30
A2022F	8	A2032	12	A2041-677	21	A2133-677	14, 30
A2022HL	8, 15	A2032A	12	A2041-677HK	21	A2133-77	14, 30
A2022LZ	8	A2032HL	12, 15	A2042	21	A2136M	12
A2022P	17	A2032P	17	A2043	21	A2140	28
A2022PSHK	17	A2032Tii	12, 26	A2043-676	21	A2143	30
A2022SC	8	A2033	12	A2043-677	21	A2143-676	30
A2022Tii	8, 26	A2033P	17	A2044	21	A2143-76	30
A2023	8	A2034	12	A2044-676	21	A2150	28
A2023HK	8	A2034-676	13	A2044-677	21	A2150C	28
A2023P	17	A2034A	12	A2044-677HK	21	A2150FIDDLE	28
A2023SHK	8	A2034HL	12, 15	A2045	21	A2151	29
A2024	9	A2034P	17	A2045B	21	A2159	23, 29
A2024-677	9	A2035	12	A2046	20	A2160	28
A2024A	9	A2035-676	13	A2047	21	A2160C	28
A2024F	9	A2035P	17	A2050	22	A2160FIDDLE	28
A2024HL	9, 15	A2036	11	A2050C	22	A2160WAVE	29
A2024P	17	A2036M	11	A2050Tii	22, 26	A2169	23, 29
A2025	9	A2036P	17	A2052	22	A2345	28
A2025-677	9	A2037	13	A2053	22	A2360	28
A2025P	17	A2038	14	A2054	23	A2360WAVE	29

PRODUCT CODE	PAGE	PRODUCT CODE	PAGE	PRODUCT CODE	PAGE	PRODUCT CODE	PAGE
A2423	31	A4030	97	A4128	89	A4274-76	52
A2433	31	A4032	72	A4139	61	A4274TZ	52
A2443	31	A4033	37	A4141	70	A4276	57
A25110	26	A4034	37	A4141-5	70	A4279	32
A25120	26	A4035	57	A4142-6.5	72	A4282	58
A25130	26	A4035-6	57	A4146	47	A4283	77
A29STJS-CAR	51	A4036	57	A4148	88	A4288	56
A3086	36	A4037	99	A4152	58	A4289	50
A3210	66	A4038	57	A4153	59	A4296	33
A3211	66	A4038-4	57	A4155	60	A4298	80
A3212	66	A4039	61	A4155KIT	60	A4298TOP	80
A3302	51	A4040	95	A4157	93	A4301	35
A3342	36	A4041	70	A4159	93	A4302	67
A3342XHL	36	A4042	72	A4160	67	A4314	74
A3343	36	A4043	95	A4161LZ	95	A4314R	74
A4001E	53	A4043C	95	A4171	53	A4317	82
A4001-EPS	53	A4043-KIT	95	A4171S	53	A4318	83
A4001S	53	A4043N	95	A4172	64	A4328	89
A4001W	53	A4043N-1	95	A4178	35	A4331	75
A4002	72	A4043W	95	A4178E	35	A4332	72
A4003	55	A4043W-1	95	A4181	35	A4339	61
A4003F	55	A4043W-KIT	95	A4182	58	A4348	88
A4003H	55	A4048	89	A4184	74	A4354	53
A4003M	55	A4050	97	A4192	72	A4369	93
A4003MS	55	A4052	58	A4196	33	A4371	55
A4009C	68	A4057	93	A4198	80	A4371L	55
A4009K	68	A4066	92	A4202	67	A4372	64
A4009K-10	68	A4068	33	A4203	72	A4376	57
A4009LZ	68	A4069	93	A4203R	72	A4377	57
A4009LZ-10	68	A4073	56	A4216	72	A4379	32
A40140	26	A4078	35	A4222	67	A4379HK	32
A4016	72	A4080	35	A4225	53	A4379HK-90	33
A4017-23	83	A4081	35	A4228	89	A4382	58
A4017-35	83	A4086	36	A4229-6	83	A4388	56
A4017-42	83	A4086B	36	A4229-8	83	A4389	50
A4017-45	83	A4088	56	A4232	72	A4389J	50
A4017-51	83	A4088-6.5	56	A4233	73	A4389M	50
A4017-54	83	A4089	53	A4239	61	A4389Tii	50
A4017-60	83	A4092	80	A4241	70	A4393	33
A4017C-38	83	A4093	35	A4244	51	A4393HK	33
A40180	26	A4098	80	A4245	73	A4396	33
A4018-23	83	A4099	97	A4246	47	A4401	35
A4018-35	83	A4101	14	A4251	9	A4409	69
A4018-42	83	A4102	67	A4252	58	A4413	72
A4018-45	83	A4106	83	A4255	60	A4416	72
A4018-51	83	A4107	70	A4258	75	A4417	72
A4018-54	83	A4107S	70	A4259	93	A4417L	83
A4018C-38	83	A4114-1	68	A4260	67	A4417S	83
A4019	82	A4114-2	68	A4260-1	67	A4420	82
A4019S	82	A4114-3	68	A4260-2	67	A4428	89
A4020	82	A4116	72	A4261	95	A4431	75
A4020S	82	A4117L	83	A4265	34	A4439	61
A4024	64	A4117S	83	A4272	65	A4439-14	61
A4025	53	A4120	82	A4272-148	65	A4452	58
A4025S	53	A4121	82	A4272S	65	A4459	93
A4028	89	A4124	70	A4274	52	A4461	95

PRODUCT CODE	PAGE	PRODUCT CODE	PAGE	PRODUCT CODE	PAGE	PRODUCT CODE	PAGE
A4461-6	95	A4665	41	A4929	88	A5506	79
A4466	44	A4665-LOW	41	A4950	75	A5507	79
A4466STRAIGHT	44	A4668	32	A4969	93	A5511	79
A4471	55	A4669	32	A4972	64	A5512	79
A4472	64	A4670	32	A4979	33	A5514	79
A4474	52	A4671	55	A4986-6	36	A5519	79
A4474-76	52	A4671XT	55	A4986-8	36	A5521	79
A4475	38	A4671XT-FT	55	A4988X	30	A5525	79
A4479	33	A4673	55	A4993	33	A5848	40
A4488	56	A4675	41	A5005	65	A5849	8
A4489	51	A4679	33	A5006	65	A5850	53
A4489F	51	A4693	33	A5007-26	65	A5861	40
A4489J	51	A4696	33	A5007-40	65	A6010	86
A4489M	51	A4698	80	A5007-50	65	A6011	86
A4489-SOLO	51	A4710	9	A5014	57	A6012	86
A4489Tii	51	A4728	88	A5014F	57	A6013	86
A4490	52	A4736	49	A5015	57	A6014	86
A4491	52	A4759	93	A5015F	57	A6020	90
A4491-1.2	52	A4761	41	A5052-10	59	A6022	90
A4496	33	A4766	44	A5052-12	59	A6023	90
A4498	80	A4766STRAIGHT	44	A5052-4	59	A6024	90
A4498TOP	80	A4771	41	A5052-6	59	A6027	90
A4501	35	A4772	65	A5052-8	59	A6028	90
A4502	9	A4772DR	65	A5053-4	59	A6035	90
A4505	9	A4772DR-KIT	65	A5053-6	59	A6037	90
A4512	55	A4772HT	65	A5053-8	59	A6038	90
A4527	71	A4772S	65	A5054-10	59	A6039	90
A4528	88	A4772S-6	65	A5054-12	59	A6040	90
A4539	61	A4772SDR-KIT	65	A5054-16	59	A6045	90
A4539-14	61	A4779	33	A5054-6	59	A6046	90
A4555	60	A4786-6	36	A5054-8	59	A6047	90
A4555KIT	60	A4786-8	36	A5098	80	A6050	56
A4566	44	A4796	33	A5105L	65	A6051	56
A4566STRAIGHT	44	A4798	80	A5105S	65	A6052	56
A4567	36	A4801	14	A5106L	65	A6060	90
A4568	32	A4828	89	A5106S	65	A6061	90
A4569	32	A4840	82	A5107S	65	A6062	90
A4570	32	A4866	45	A5166	42	A6065	90
A4571	55	A4866X	45	A5166COMPACT	42	A6066	90
A4572	64	A4866XB	45	A5166DUAL-ARM	43	A6067	90
A4573	52	A4866XB-ANGLED	45	A5166DUAL-ARN-COMPACT	43	A6068	90
A4574	52	A4867	45	A5196	80	A6069	90
A4575	53	A4869	93	A5197	80	A6075	90
A4587	52	A4869K	93	A5198	80	A6076	90
A4588	56	A4871	55	A5198BASE-M5NUT	80	A6077	90
A4589CAT676	51	A4871X	55	A5206-60	65	A6078	90
A4589CAT677	51	A4872	64	A5208-15	65	A6110	76
A4589M	51	A4876	45	A5208-9	65	A6112	76
A4589Tii	51	A4886	36	A5229	83	A6114	76
A4590	52	A4886-5	36	A5266	43	A6116	76
A4591	53	A4886B	36	A539	61	A6132	76
A4593	33	A4898	80	A539-14	61	A6134	76
A4596	33	A4903	99	A5404S	9, 88	A6136	76
A4599-S	72	A4904	67	A5405N	88	A6138	76
A4601	35	A4904LZ	67	A5405S	88	A6140	76
A4659	93	A4905	67	A5406S	88	A6152	76

PRODUCT CODE	PAGE	PRODUCT CODE	PAGE	PRODUCT CODE	PAGE	PRODUCT CODE	PAGE
A6153	76	A731710	93	AFCP512	66	SA.737	54
A6154	76	A731710-E	93	AFCP515	66	SA.837	54
A6155	76	A7420	81	AFCP518	66	SA.873	72
A6156	76	A7470	81	AFCP521	66	SA2021SC	67
A6157	76	A8039	62	AFCP525	66	SA4374	99
A6166	77	A8040-34	61	AFCP59	66	SA4574	99
A6167	77	A8040-56	61	AFCP621	66	SA9040	24
A6168	77	A8139	62	A-FINN-BOOM	78	SA9060	24
A6169	77	A8239	62	AFPP266	66	ZHIK-KEYBALL	94
A6170	77	A8331	98	AFPP266B	66		
A6175	76	A8332	98	AFPP266C	66		
A6176	76	A8339	62	ALLEN-OPTI-SPRIT-SYSTEM98			
A6177	76	A8439-13	62	ALLEN-TERA-CUNNINGHAM98			
A6178	76	A8439-17	62	ALLEN-TERA-OUTHAUL	98		
A6180	95	A8439-21	62	ALLEN-VANG	98		
A6185	77	A8439-25	62	A-OK-BOOM	78		
A6186	77	A8439-29	62	ARBALL/4T	99		
A6187	77	A8439-35	62	ARBALL1/4D	99		
A6188	77	A8439-7	62	ARBALL5T	99		
A6200	77	A8439-9	62	ASP1785	83		
A6204	77	A8539-13	62	ASP4109	68		
A6208	77	A8539-17	62	ATII-LOCK-40	20		
A-621104	89	A8539-21	62	A-VANG-LEVER	78		
A-621105	89	A8539-25	62	C203	46		
A-621106	89	A8539-29	62	C211M1	46		
A-621108	89	A8539-35	62	C211M1A	46		
A-621110	89	A8539-7	62	C211M2	46		
A-622104	89	A8539-9	62	C211M2A	46		
A-622105	89	A8606	26	C211MK2/S2	46		
A-622106	89	A8608	26	C211MK2/S2AN	46		
A-622108	89	A8610	26	C217M1	46		
A-623104	89	A8612	26	C217M1A	46		
A-623105	89	A8616	26	C218M1	46		
A-623106	89	A8639-10	27, 63	C218M1A	46		
A-623108	89	A8639-6	63	C218M2	46		
A-623110	89	A8639-6, 63	27	C222	46		
A-624105	89	A8639-8	27, 63	C222A	46		
A-624106	89	A8739-10	27, 63	C230	46		
A-624108	89	A8739-18	27, 63	C236A	46		
A-624110	89	A8739-6	27, 63	C253	46, 95		
A7000	81	A8739-8	27, 63	C253A	46, 95		
A7001	81, 82	A881310	27, 63	C257	46		
A7002-1.0	81	A881610	27, 63	C268	46		
A7002-1.1	81	A882525	27, 63	C270A	46		
A7002-1.2	81	A9030	11, 15	D92058	93		
A7002-1.3	81	A9031-873	11, 25	F630L	66		
A731705	93	A9040	24	KEYBALLHARNES-RAD	94		
A731705-E	93	A9060	24	KEYBALLHARNES-SKIFF	94		
A731706	93	A9100	70	ROOSTER-KEYBALL	94		
A731706-E	93	A9150	70	S034L	97		
A731707	93	A9151	70	SA..76	99		
A731707-E	93	A9152	70	SA..77	99		
A731708	93	A9153	70	SA..94	70		
A731708-E	93	AB1342	33	SA.312	72		
A731709	93	A-BAG-KIT	54	SA.676	99		
A731709-E	93	A-CALIBRATION	97	SA.677	99		

BLOCKS

CLEATS &
JAMMERS

TRACK &
KEELBAND

DECK & HULL
FITTINGS

SPARS &
RIGGING

RUDDERSTOCK
& ACCESSORIES

SAILMAKERS
HARDWARE

SHACKLES

ACCESSORIES

DISTRIBUTORS &
MAJOR STOCKIST

PRODUCT CODE
INDEX



Hardware partner to the Canadian Sailing Team



www.allenbrothers.co.uk

 [allensailinghardware](https://www.facebook.com/allensailinghardware)

 [@allen_sailing](https://twitter.com/allen_sailing)

 [@allen_sailing](https://www.instagram.com/allen_sailing)

 sales@allenbrothers.co.uk